

Parts Catalog
Rider Sweeper
Armadillo 6X (Diesel, Gas, & LPG)
AM7D-III (Diesel)



PREFACE

Thank you for your purchase of the now industry standard for sweepers. PowerBoss® takes great pride in offering the most dependable, reliable and best value in industrial power sweepers and sweeper/scrubbers. We set the standard.

Our Customer Service Department would like to hear from you. If you see any errors, omissions or something that needs clarification in this Parts Catalog, please let us know. We are working hard towards continually improving our processes to bring you the best you deserve. Please copy the form below, fill out and comment on how you found our catalog.

Thank you.

The PowerBoss Team

Name _____

Title: _____

Company Name: _____

Address: _____

Country: _____

Type of equipment or model number: _____

Comments: _____

Please return to:

Customer Service Manager
PowerBoss®, Minuteman International, Inc.
14N845 U.S. Route 20
Pingree Grove, Illinois 60140 USA

Phone: (800) 323-9420

Email: tech@powerboss.com

This is the Parts Catalog for the PowerBoss® Armadillo 6X and PowerBoss® AM7D-III machines.

This Catalog covers the standard Armadillo 6X & AM7D-III variations beginning, October 2014.

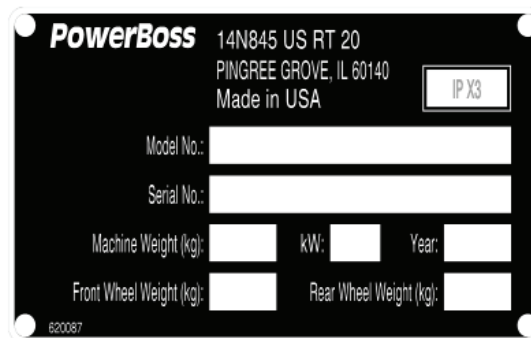
We believe this machine will provide excellent service for many years. Best results will be obtained if:

- The machine is operated with reasonable care.
- The machine is maintained regularly per the maintenance schedule provided in the User Manual.
- The machine is maintained with PowerBoss® supplied or equivalent parts.

All right side and left side references to the machine (except for engine) are determined by facing the direction of forward travel. The front of the engine or engine fan faces the rear of the machine. Some hardware considered to be common or locally available has been omitted from the parts section to make this manual clear. Be sure to use equivalent hardware when replacement becomes necessary.

The Model and Serial Number of your machine is shown on the I.D. name plate. This information is needed when contacting Technical Support or when ordering parts. The I.D. plate is mounted on the console of the machine left of the operator. Adjacent the main broom adjustment access door.

Example I.D Plate:



Parts may be ordered by phone, fax or email from any PowerBoss® parts and service center. Before ordering parts or supplies, be sure to have your machine model number and serial number handy. For your convenience Fill out the data block below for future reference.

MACHINE DATA Fill out at installation	
Serial Number:	_____
Engine Serial Number:	_____
Sales Rep.:	_____
Date of Install:	_____

All information contained in this catalog is current at the time of printing. Minuteman International, Inc. reserves the right to make changes at any time without notice.

PowerBoss®, Minuteman International, Inc., Copyright 2014, Printed in USA

TECHNICAL SPECIFICATIONS

Model/Model No.: Armadillo 6X: SW6XKDSL (Diesel), SW6XKGAS (Gas), SW6XKLPG (LPG)
AM7D-II (Diesel)

DIMENSIONS & WEIGHT

Length 79 inches (200 cm)
 Width 53 inch (135 cm)
 Height 53 inch (135 cm)
 Height w/ overhead guard 79.5 inch (202 cm)
 Weight 2547 lbs (1155 kg)
 Minimum U-turn 82 inch (208 cm)

SWEEPING SYSTEM

Sweep path 53 inch (135 cm)
 Main broom 36 inch (91 cm)
 Side broom 24 inch (61 cm)
 Hopper type high dump
 Hopper volume 10 cu ft (.28m²)
 Hopper load capacity 650 lbs (295 kg)
 Dust control 92 sq ft (8.6 m²)
 High dump 60 inch (152 cm)
 RTR (rotary trash relocation) . . . yes

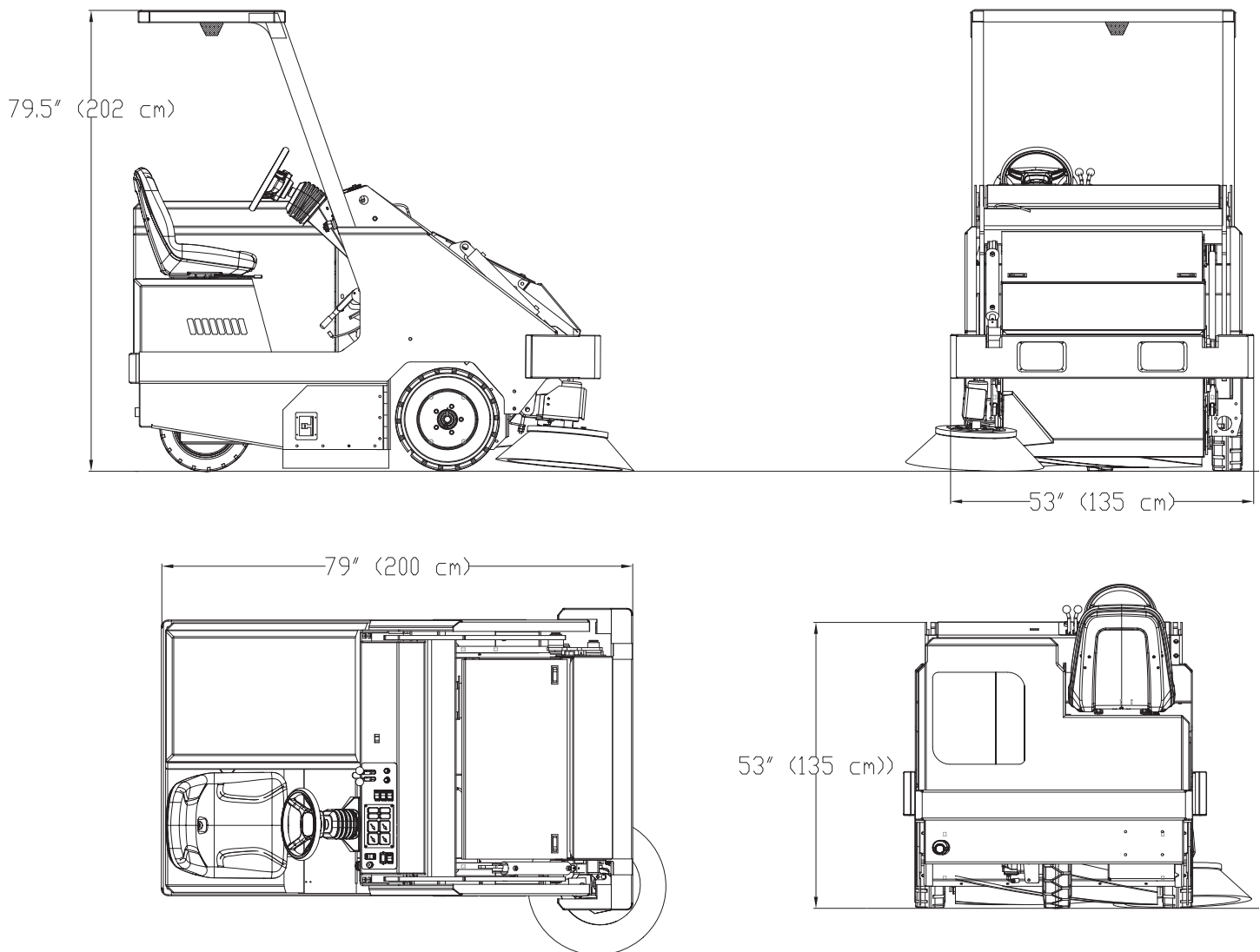


TABLE OF CONTENTS

PREFACE 2

TECHNICAL SPECIFICATIONS 4

 DIMENSIONS & WEIGHT 4

 SWEEPING SYSTEM 4

NOTES 7

PARTS BREAKDOWN 8

 FRAME 8

 ELECTRICAL PLATE 10

 INSTRUMENT PANEL 12

 AXLE, BRAKES AND WHEEL ASSEMBLY 14

 661113 FRONT AXLE ASSEMBLY 16

 BATTERY 18

 MAIN BROOM DOOR 20

 ENGINE COVER 22

 DIRECTION CONTROL ASSEMBLY 24

 DIRECTION LINK GROUP (DIESEL) 26

 DIRECTION LINK GROUP (GAS/LP) 27

 BUMPER 28

 HOPPER 30

 HOPPER HOOD AND LID ASSEMBLIES 32

 CONTROL VALVE 34

 HYDRAULIC MANIFOLD ASSEMBLY 36

 HYDRAULIC MANIFOLD 38

 HYDRAULIC RESERVOIR 40

 IMPELLER 42

 GASKET MOUNT 44

 LIFT ARM PART 1 46

 LIFT ARM PART 2 50

 MAIN BROOM ASSEMBLY (6X MODELS) 52

 MAIN BROOM ASSEMBLY (AM7D-II) 56

 SIDE BROOM ASSEMBLY 60

 SIDE BROOM ACTUATOR 62

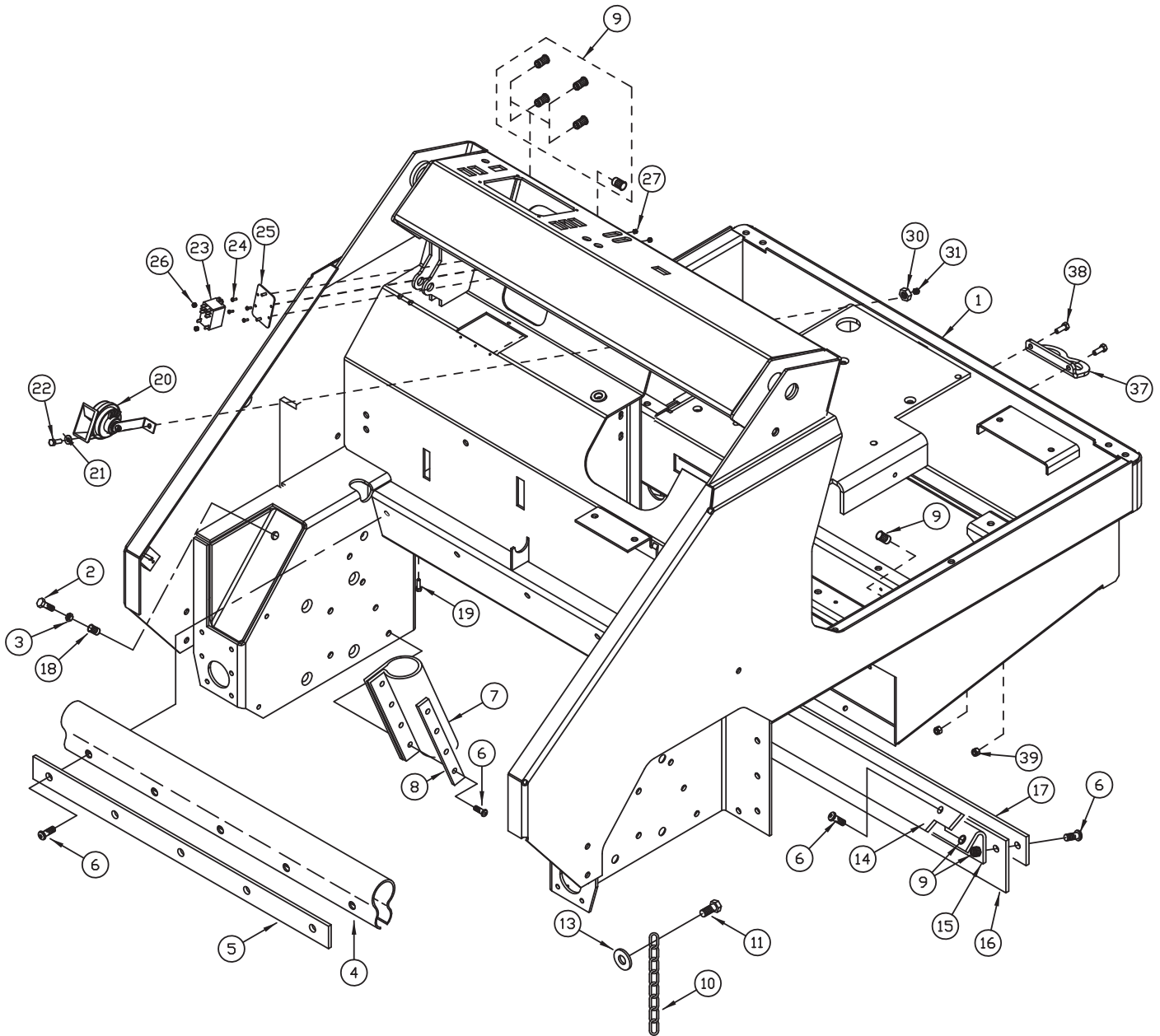
 STEERING ASSEMBLY 64

 TILT STEERING ASSEMBLY 66

 FUEL TANK - GAS AND DIESEL 68

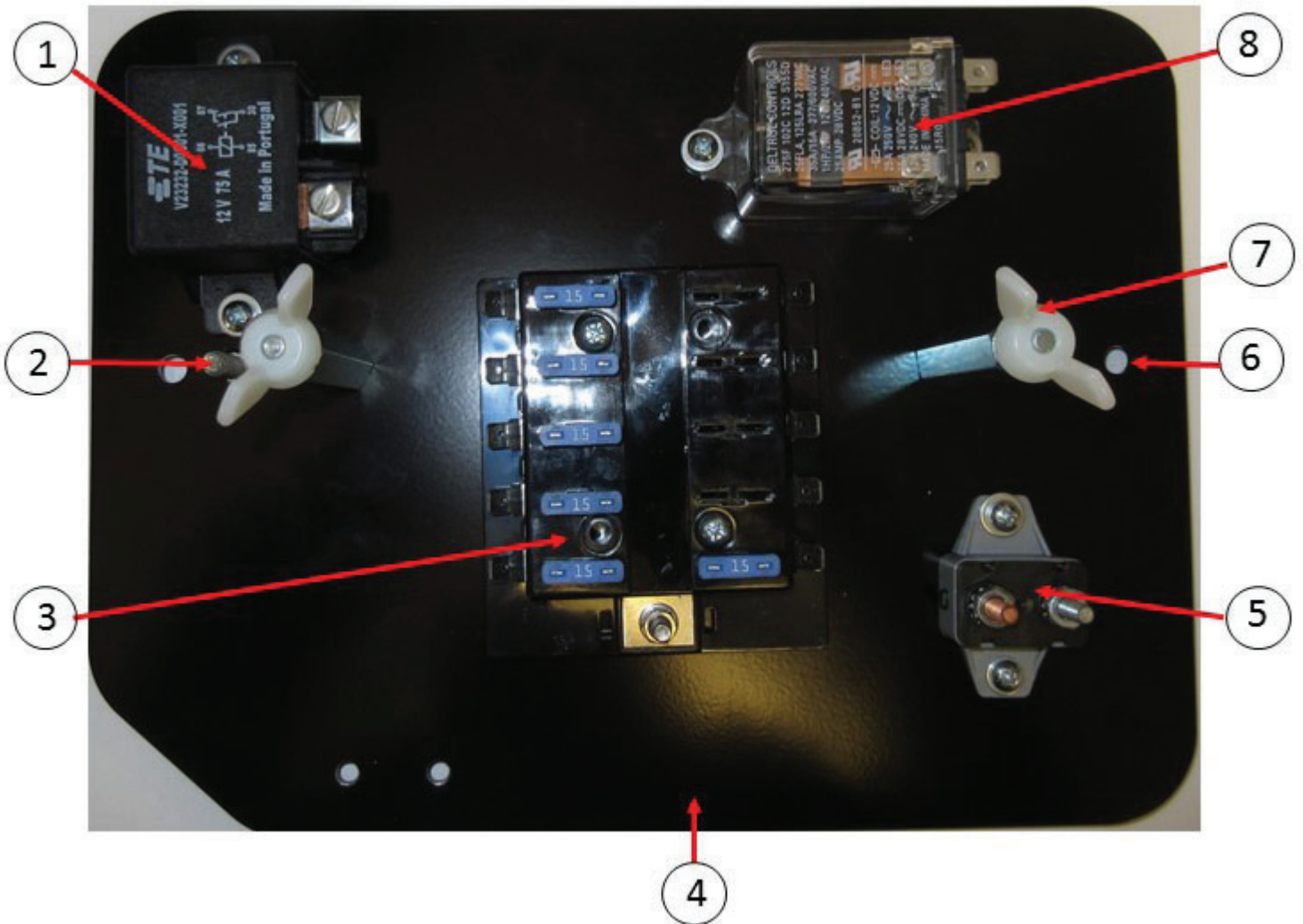
RADIATOR COMPONENTS - 661141/DSL - 661187/LP_GAS - PAGE 1 OF 5	70
RADIATOR COMPONENTS - 661141/DSL - 661187/LP_GAS - PAGE 2 OF 5	71
RADIATOR COMPONENTS - 661141/DSL - 661187/LP_GAS - PAGE 3 OF 5	72
RADIATOR COMPONENTS - 661141/DSL - 661187/LP_GAS - PAGE 4 OF 5	73
RADIATOR COMPONENTS - 661141/DSL - 661187/LP_GAS - PAGE 5 OF 5	74
DECAL LAYOUT	76
WEARABLE COMPONENTS DSL	78
WEARABLE COMPONENTS LPG & GAS	79
ENGINE PARTS BREAKDOWN	80
ENGINE KUBOTA D902 DIESEL & DF752 LP/GAS - MOUNTING AND PUMPS	80
ENGINE KUBOTA DF752 LP/GAS - AIR CLEANER & EXHAUST	82
ENGINE KUBOTA D902 DIESEL - AIR CLEANER & EXHAUST	84
ENGINE KUBOTA D902 DIESEL & DF752 LP/GAS - ALTERNATOR, WATER PUMP, & FAN ...	86
ENGINE KUBOTA D902 DIESEL & DF752 LP/GAS - STARTER, & EXHAUST MANIFOLD ...	88
ENGINE KUBOTA D902 DIESEL & DF752 LP/GAS - BLOCK AND FREEZE PLUGS	90
ENGINE KUBOTA D902 DIESEL & DF752 LP/GAS - CYLINDER HEAD AND VALVES	92
ENGINE KUBOTA D902 DIESEL & DF752 LP/GAS - MAIN BEARING CASE	94
ENGINE KUBOTA D902 DIESEL & DF752 LP/GAS - CAMSHAFT, IDLE & OIL PUMP	96
ENGINE KUBOTA D902 DIESEL & DF752 LP/GAS - PISTON AND CRANKSHAFT	98
ENGINE KUBOTA DF752 LP/GAS - DISTRIBUTOR AND SPARK PLUG	100
ENGINE KUBOTA DF752 LP/GAS - CARBURETOR AND GOVERNOR	102
ENGINE KUBOTA D902 LP/GAS - FUEL SYSTEM	104
ENGINE WG750 GAS - MOUNTINGS	106
ENGINE WG750 GAS - RADIATOR AND EXHAUST SYSTEM	108
ENGINE WG750 GAS - COMPONENTS	110
BROOM PARTS BREAKDOWN	114
MAIN AND SIDE BROOMS (6X)	114
OPTIONS	116
OPTIONAL LEFT SIDE BROOM ASSEMBLY	116
CURB BROOM ASSEMBLY	118
CABLE ASSEMBLY	120
OPT - DUST SUPPRESSION, SINGLE	122
ELECTRONIC SCHEMATIC 3338222 (REV.F)	124
HYDRAULIC SCHEMATIC 3338146 (REV. F)	128

PARTS BREAKDOWN FRAME



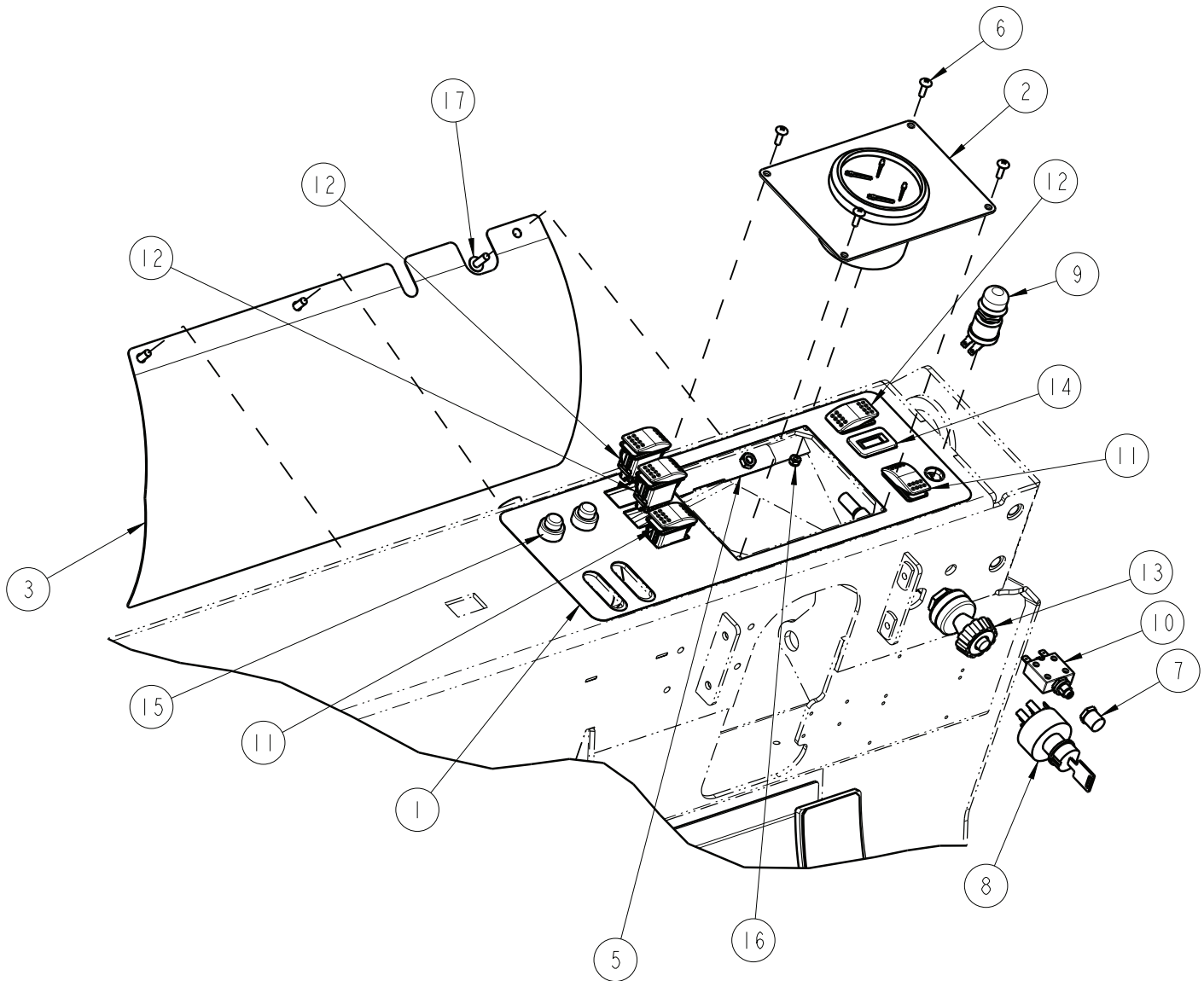
FRAME			
ITEM	PART NO.	QTY	DESCRIPTION
1	3338082M	1	WELD—FRAME
4	3311123	1	SEAL—FRAME FRONT
5	3311417	1	BAR—RETAINER FRONT SEAL PLTD
6	3400444	13	SCR-FHSCS 3/8-16 X 1.00 ZP
7	3311413	2	SEAL—HOPPER SIDE
8	3311414	2	BAR—SEAL RETAINER PLTD
9	3322186	16	INSERT—3/8-16 UNC
10	3307658	1	CHAIN—GROUNDING ARMA
11	713044	1	SCR-HH 3/8-16 X 1.50 ZP GR 5
13	712301	2	WASHER-FLAT 3/8 ZP
14	3318572	1	FLAP—BROOM CHAMBER
15	3318571	1	ANGLE—REAR FLAP
16	3318573	1	FLAP—BROOM CHAMBER
17	3318574	1	RETAINER—REAR FLAP
20	3300379	1	HORN-12V STANDARD AUTOMOTIVE
20A	704202		HORN MOUNTING BRACKET (NOT SHOWN-NOT INCLUDED WITH HORN 3300379)
21	3400273	1	WASHER-INT LOCK 5/16 ZP
22	3400035	1	SCREW-HEX,5/16-18X1.00 ZP
23	748540	1	RELAY, DPDT, 30A, 12V
24	711502	4	WASHER-FLAT #8 ZP
25	661127	1	PLATE, ELECTRICAL COMP - 6X
26	710230	2	SCR-PHMS 8-32 X .62 ZP
27	711372	2	NUT-NYLOC 8-32 ZP
30	3400384	1	WASHER-CONICAL SPRING 5/16
31	711379	1	NUT-FLANGED WIZZ 5/16-18 ZP
37	3343740	1	TIE DOWN-UNIVERSAL, REAR
38	711250	2	SCR-HH 3/8-16 X 1.25 ZP GR 5
39	711380	2	NUT-NYLOC 3/8-16 ZP

ELECTRICAL PLATE



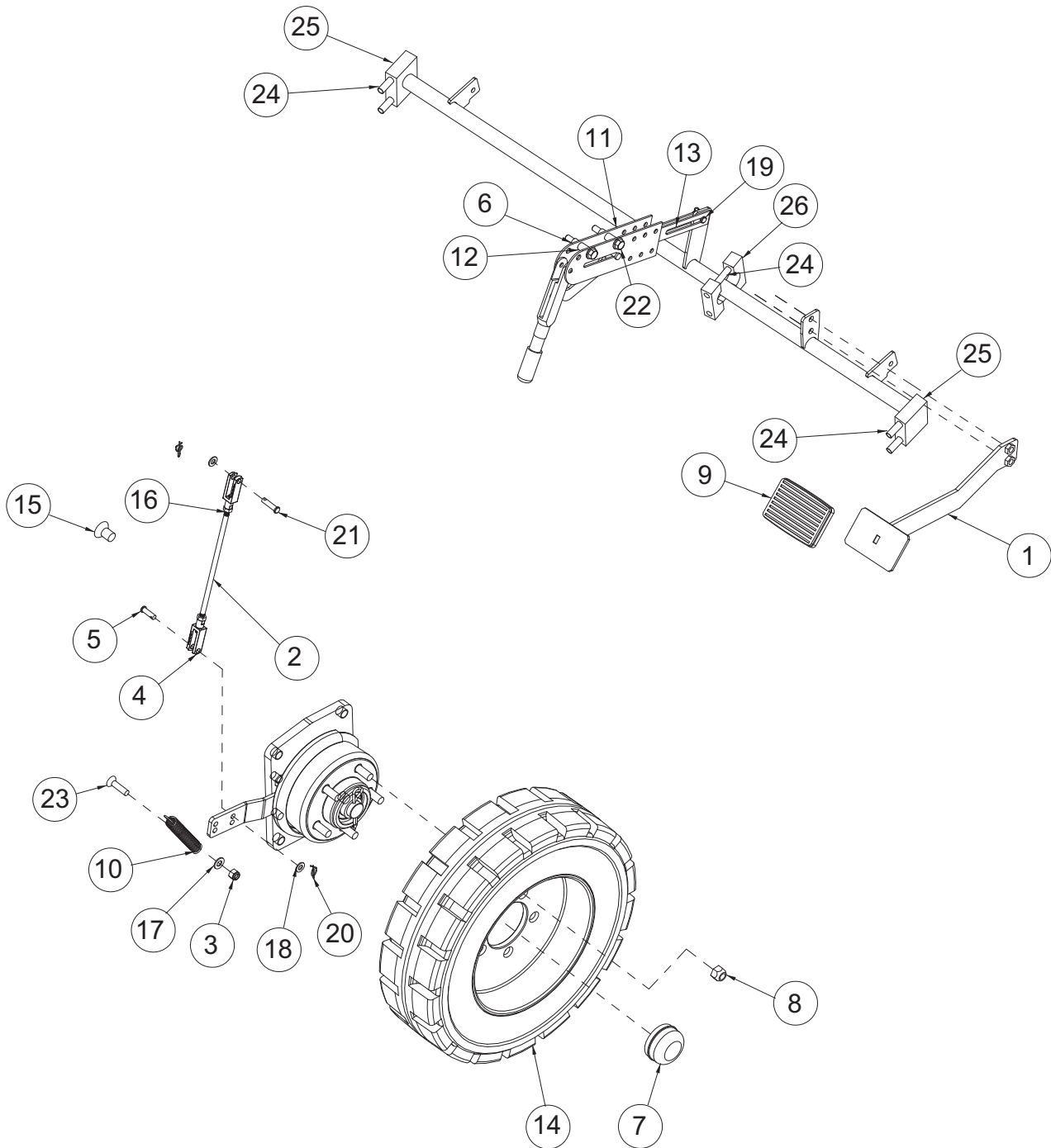
ELECTRICAL PLATE				
ITEM	PART NO.	MOUNTING HARDWARE	QTY	DESCRIPTION
1	740972		1	RELAY-12V 75A AUTOMOTIVE (DSL ONLY)
		710230	2	SCR-PHMS 8-32 X .62 ZP
		711502	4	WASHER-FLAT #8 ZP
		711372	2	NUT-NYLOC 8-32 ZP
2			1	GROUND STUD (PART OF ITEM #4)
		711564	1	WASHER-EXT LOCK 1/4 ZP
		711505	1	WASHER-FLAT 1/4 ZP
		711373	1	NUT-NYLOC 1/4-20 ZP
3	3322599		1	FUSE BLOCK-ATO FUSE
		710362	2	SCR-RHMS 10-32 X 1.25 ZP
		711350	2	NUT-JAM 10-32 ZP NYLOC
		711502	2	WASHER-FLAT #8 ZP
4	661127		1	PLATE, ELECTRICAL COMP - 6X
5	747042		1	CIRCUIT BREAKER, 20 AMP
		710230	2	SCR-PHMS 8-32 X .62 ZP
		711502	4	WASHER-FLAT #8 ZP
		711372	2	NUT-NYLOC 8-32 ZP
		748963	1	CIRCUIT BREAKER BOOT (NOT SHOWN)
6				
		713005	2	SCR-HH 1/4-20 X 1.50 ZP GR 5 PART THRD
		711505	2	WASHER-FLAT 1/4 ZP
		3303552	2	SLEEVE-HAND BRAKE ZP
		711505	2	WASHER-FLAT 1/4 ZP
		711373	2	NUT-NYLOC 1/4-20 ZP
7	731236		2	STANDOFF, PANEL, 1/4-20 X 2.38 LG ZINC
		711202	2	SCR-HH 1/4-20 X .50 ZP
		711505	2	WASHER-FLAT 1/4 ZP
		711563	2	NUT-WING 1/4-20 NYLON
8	748540		1	RELAY, DPDT, 30A, 12V
		710230	2	SCR-PHMS 8-32 X .62 ZP
		711502	4	WASHER-FLAT #8 ZP
		711372	2	NUT-NYLOC 8-32 ZP

INSTRUMENT PANEL



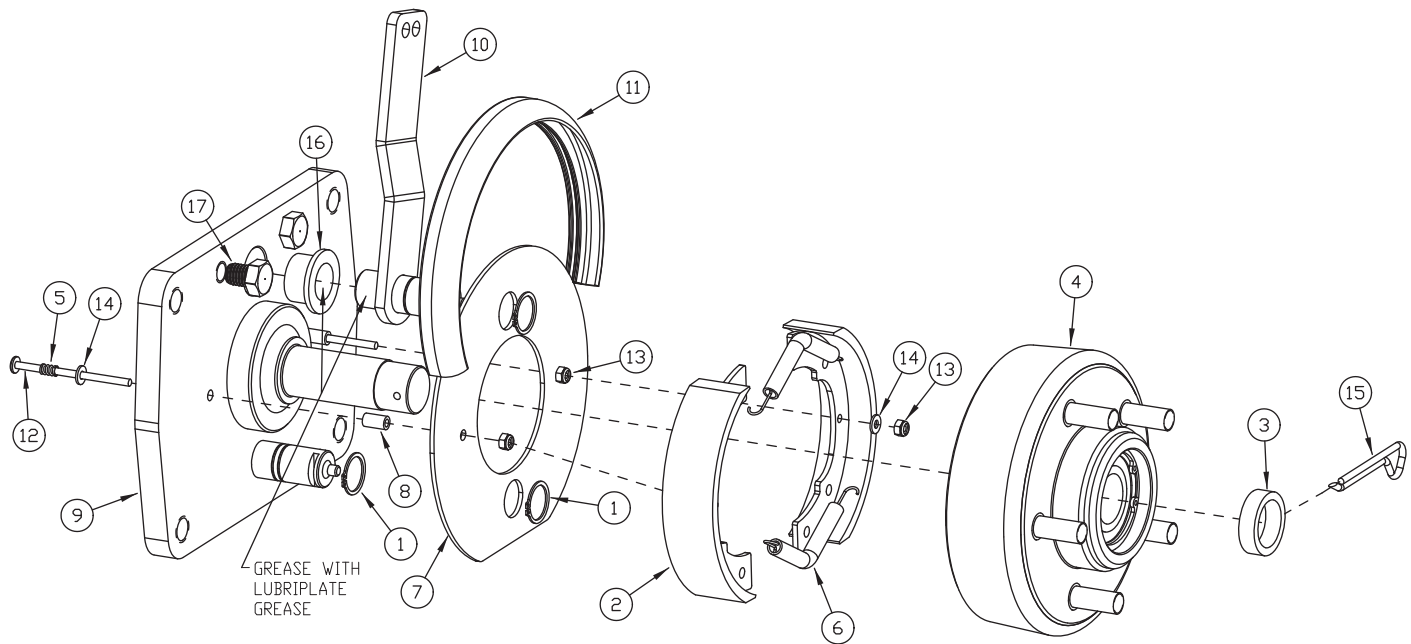
INSTRUMENT PANEL			
ITEM	PART NO.	QTY	DESCRIPTION
1	661088	1	DECAL, DASHBOARD, 6X
2	661364	1	ASSY-INSTRUMENT CLUSTER 6X
3	661365	1	SHIELD, RUBBER SPLASH
4	661372	1	INSTRUMENT CLUSTER DECAL, AM7D (NOT SHOWN)
	661373		INSTRUMENT CLUSTER DECAL, 6X (NOT SHOWN)
5	661377	1	SPLASH GUARD RETAINER
6	710154	4	SCR-THMS 10-32 X .625 SS
7	742748	1	CIRCUIT BREAKER-BOOT
8	749072	1	SWITCH, IGNITION W/HARNESS
9	749073	1	SWITCH, HORN W/HARNESS
10	3026924	1	CIRCUIT BREAKER-45AMP
11	3311993	2	SWITCH-ROCKER PANEL
12	3318514	3	SWITCH-SPDT ROCKER
13	3313077	1	CABLE-CHOKE SW/62 GAS & LP
	3321179		CABLE-THROTTLE SW/A DIESEL ONLY
14	3336094	1	GAUGE-HOURMETER DIGITAL SNAP-IN 8-32VDC
15	620778-1	2	LIGHT, INDICATOR, RED LED
16	711350	4	NUT-JAM 10-32 ZP NYLOC
17	3401460	3	SCR-THMS 1/4-20 X .75 PHIL 18-8 SS

AXLE, BRAKES AND WHEEL ASSEMBLY



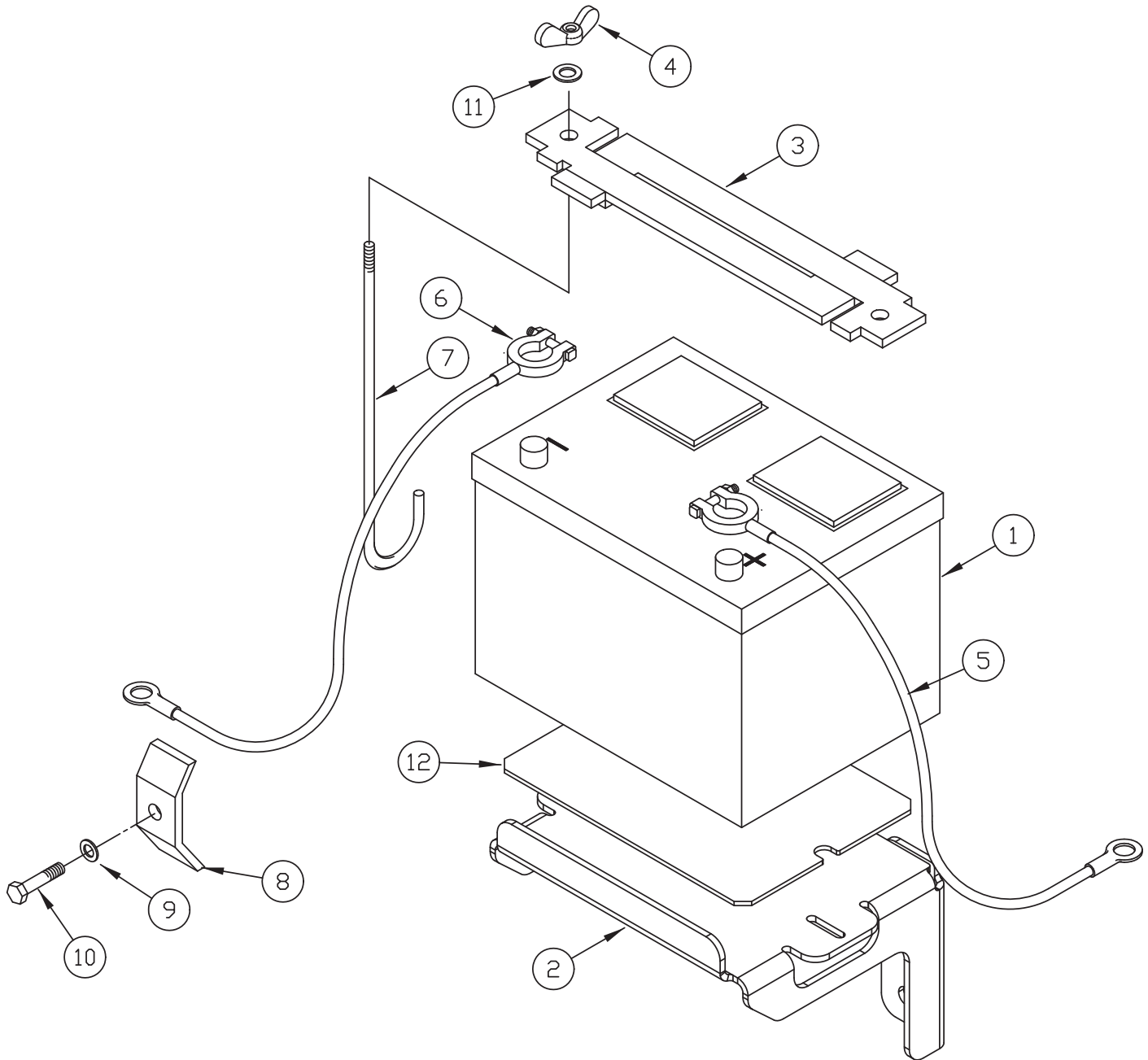
AXLE, BRAKES AND WHEEL ASSEMBLY			
ITEM	PART NO.	QTY	DESCRIPTION
1	661282	1	WELDMENT, BRAKE PEDAL, 6X
2	661112	1	ROD - 5/16-24 X 10-5/8, SSTL
3	711380	1	NUT-NYLOC 3/8-16 ZP
4	713627	2	CLEVIS-5/16 PLTD, TURNBUCKLE
5	881002	1	PIN-CLEVIS 5/16 X 1.00 ZINC
6	3300339	2	SLEEVE-SQ & FWD/REV
7	3300369	1	CAP-HUB, 2.44" DIA, ZP
8	3300411	1	NUT-WHEEL LUG, 1/2-20 X 5/8 60 DEGREE UN
9	3300413	1	PAD-RUBBER BRAKE PEDAL
10	3301517	1	SPRING-EXT BRAKE LEVER
11	3303169	1	LEVER-HAND BRAKE
12	3307241	2	SPACER-HAND BRAKE, ZP SW/A
13	3311102	2	BAR-PARKING BRAKE PAINTED
14	3318597	1	WHEEL-5.00 X 8 X 18" MOLDED
15	3400011	1	SCR-FHSCS 5/8-11 X 1.00 ZP
16	711322	2	NUT-HEX 5/16-24 ZP
17	712301	1	WASHER-FLAT 3/8 ZP
18	711506	3	WASHER-FLAT 5/16 X.688 X .065 ZP
19	3400118	1	PIN-CLEVIS 5/16 X .875 ZP
20	3400125	3	RING-RUE 3/8
21	3400185	1	PIN-CLEVIS 5/16X1-1/4 ZP
22	3400339	2	SCR-HH 3/8-16 X 2.25 SS PARTIAL THREAD
23	3400997	1	SCR-FHSCS 3/8-16 X1.50 ZP GR 8
24	661038	6	TUBE, SPACER, .38OD X .32 ID
25	661041	2	BEARING BLOCK, BRAKE BAR, 6X
26	661042	1	BEARING BLOCK, HALF, BRAKE BAR, 6X

661113 FRONT AXLE ASSEMBLY



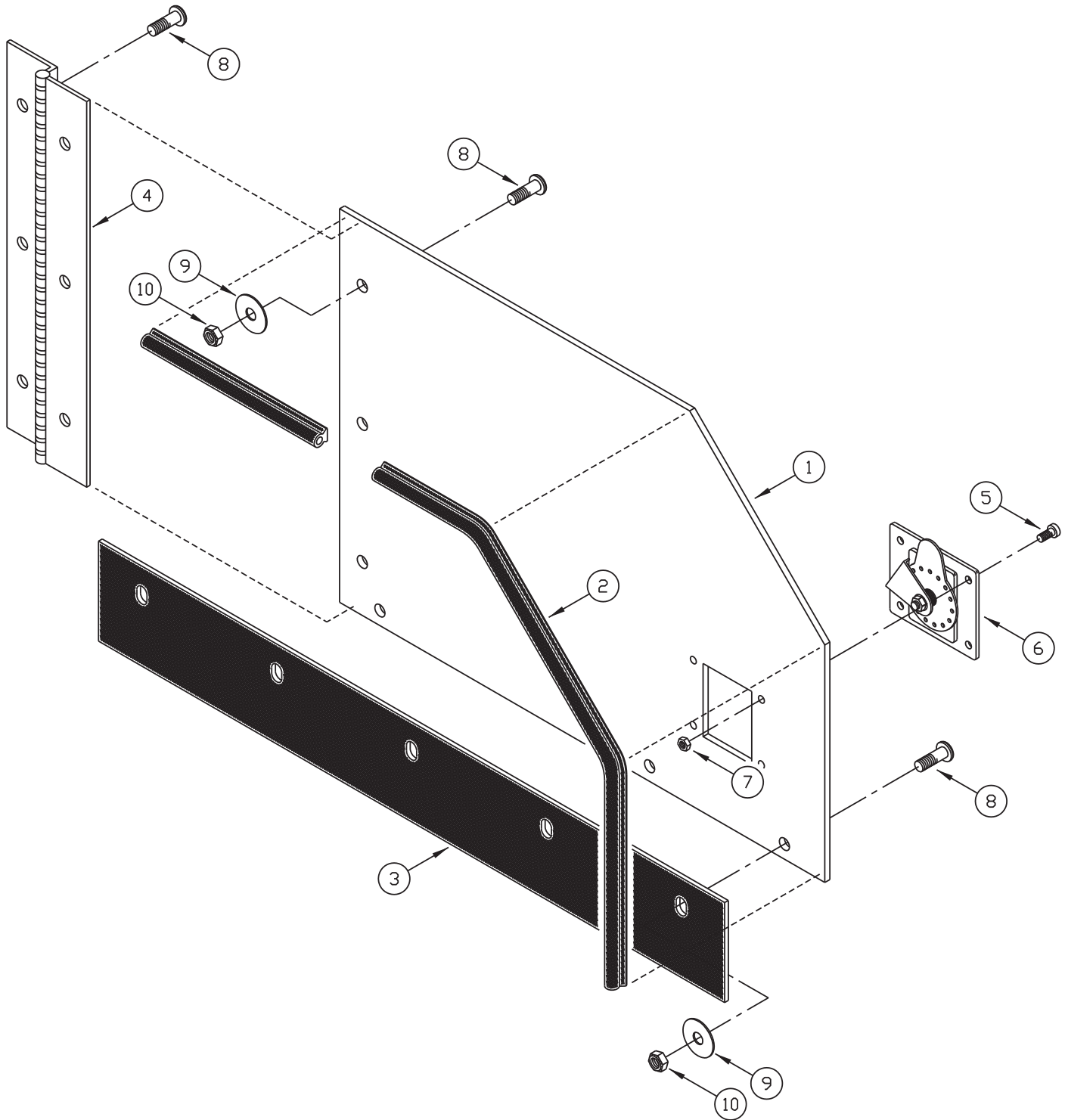
661113 FRONT AXLE ASSEMBLY			
ITEM	PART NO.	QTY	DESCRIPTION
1	3300484	3	RETAINING RING EXT 0.87
2	3300523	2	SHOE - BRAKE
3	3300876	1	SPACER - AXLE FRONT
4	3301510	1	ASSY- HUB FRONT WHEEL
5	3301518	2	SPRING - COMP BRAKE SHOE
6	3301519	2	SPRING - EXT BRAKE SHOE
7	3344048	1	PLATE - BRAKE DUST COVER ZP
8	3344068	2	TUBE - STANDOFF .18ID X .31 OD X .563 LG
9	3344071P	1	PLATE-WD FRONT AXLE/BRAKES, AM7D
10	3344075	1	WELD ASSEMBLY - LEVER BRAKE SS
11	3344143	1	TRIM - PUSH ON W/ FLAP SEAL 12 GA
12	3400060	2	SCREW, PRH MC #8-32 X 3.00 18-8 SS
13	711372	4	NUT - HEX #8-32 ES ZP
14	711502	4	WASHER - FLAT #8 ZP
15	3400120	1	PIN - COTTER 5/32 DIA X 2.00 LG, ZP
16	3401561	1	BEARING - FLANGE 7/8 ID X 3/4 L
17	3401568	2	SCREW - HH 1/2-13 X .625 FULL THRD, GR 5 ZP

BATTERY



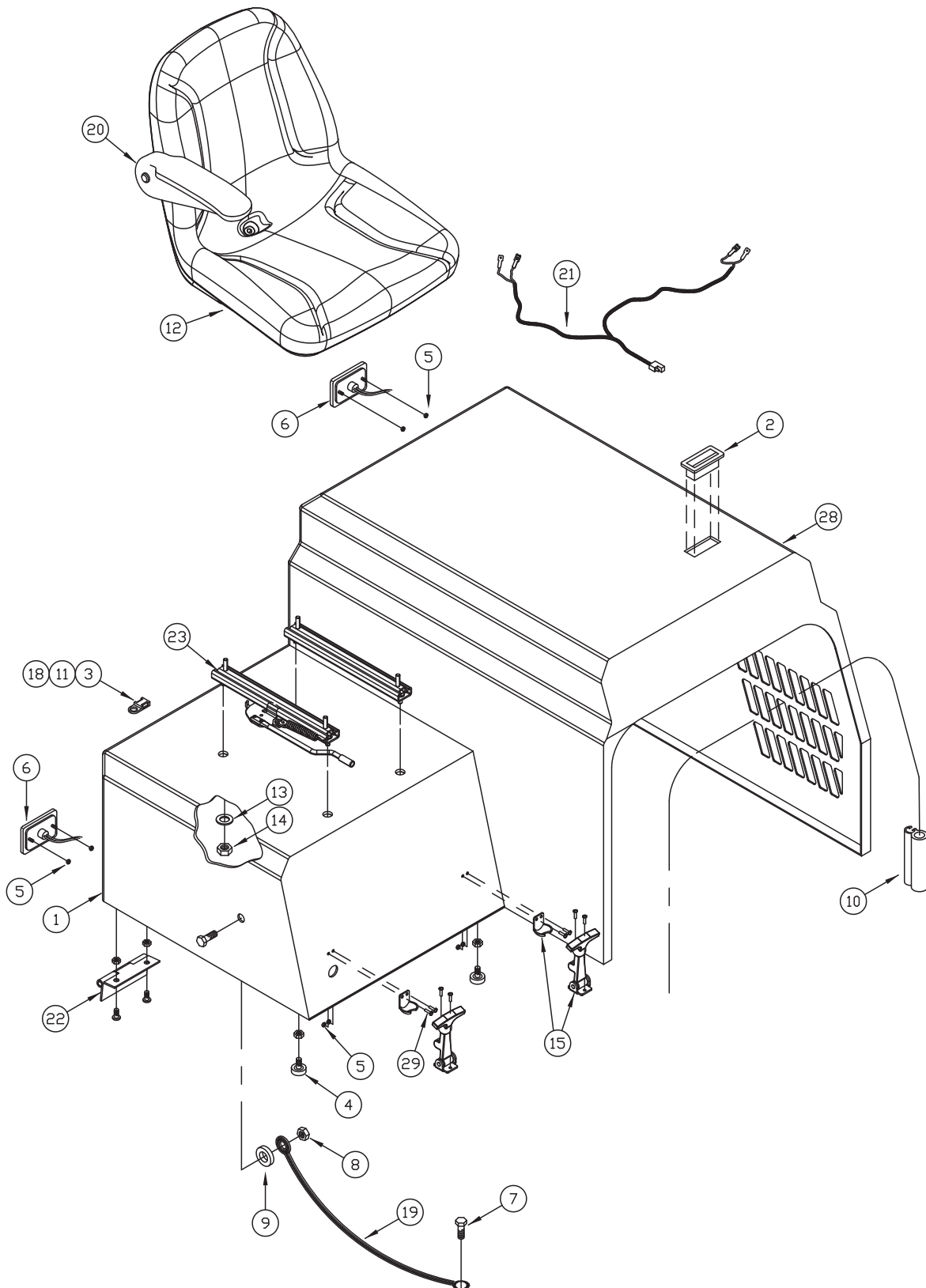
BATTERY			
ITEM	PART NO.	QTY	DESCRIPTION
1	3339406	1	BATTERY - 12VDC
2	661232	1	MNT, BATTERY - 6X (LPG MODEL)
	661231		ASSY, BATTERY MOUNT (GAS/DSL MODELS)
3	3301076	1	HOLD DOWN - BATTERY 2-PIECE
4	3400085	2	NUT - WING 1/4-20 ZP
5	3307634	1	ASSEMBLY - BATTERY CABLE ARMA NEG
6	3307633	1	ASSEMBLY - BATTERY CABLE ARMA POS
7	3301079	2	ROD - BATTERY TIE-DOWN PLTD
8	3305398	2	CLAMP-HYD HOSE, PLATED
9	3400385	2	WASHER - CONICAL SPRING 3/8
10	711250	2	SCR-HH 3/8-16 X 1.25 ZP GR 5
11	711505	2	WASHER - FLAT 1/4 STANDARD ZP
12	3341162	1	TRAY PAD - BATTERY

MAIN BROOM DOOR



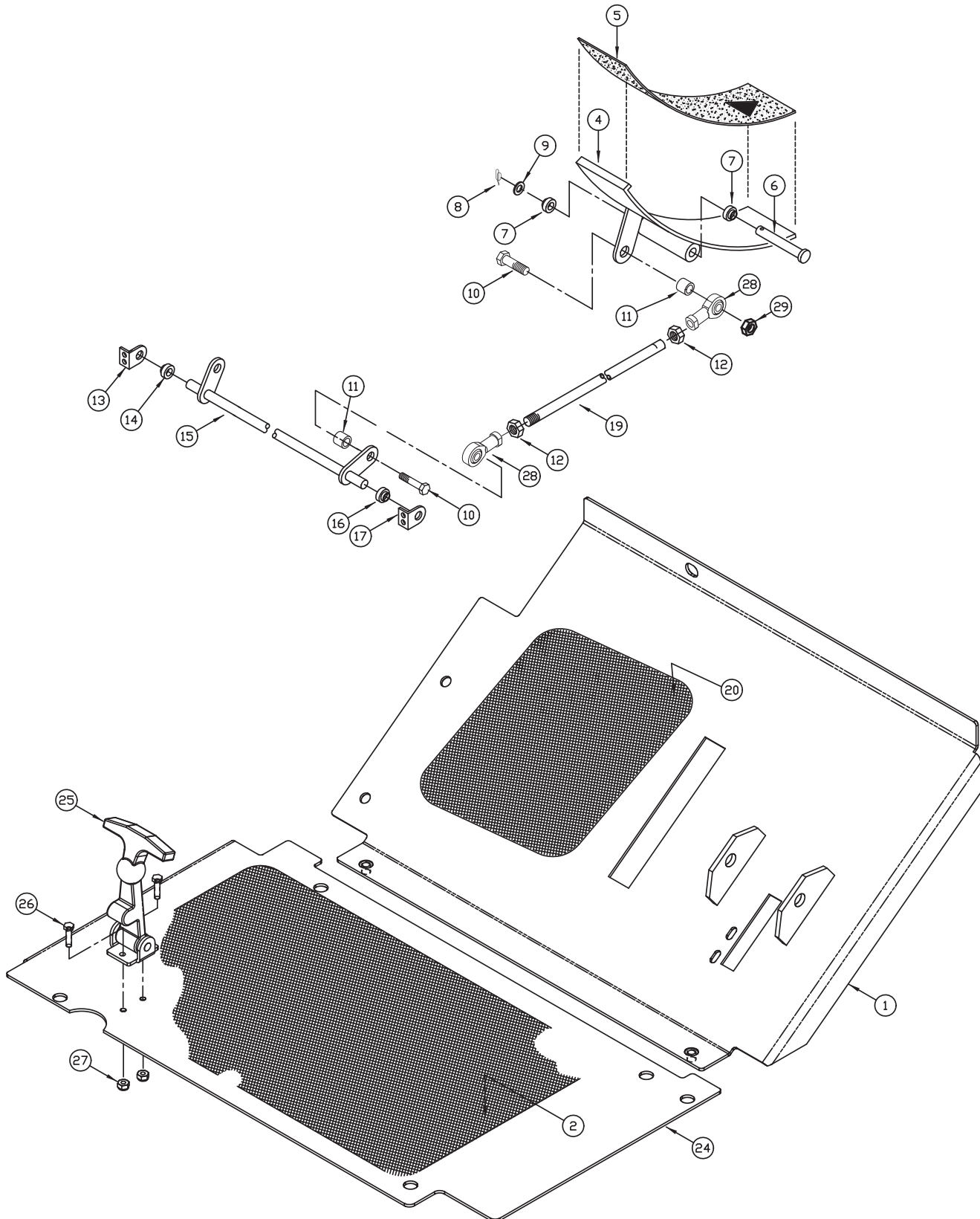
MAIN BROOM DOOR			
ITEM	PART NO.	QTY	DESCRIPTION
*	3318568	1	ASSY- BROOM DOOR R/H
*	3318728	1	ASSY- BROOM DOOR L/H
1	3318567P	1	DOOR—MAIN BROOM
2	3318739	2.3 FT.	WEATHERSTRIPPING—RUBBER SPONGE
3	3318582	1	FLAP—BROOM DOOR
4	3318694	1	HINGE—.125 X 3.0 X 11.12 LONG
5	3400048	4	SCR—SOC #10-32 X 0.75 ZP
6	3318595	1	LATCH—"T" HANDLE
7	711350	4	NUT—HEX JAM #10-32 ES ZP
8	730717	8	SCR-BHSCS 3/8-16 X 1.00 SS
9	3400092	8	WASHER—FENDER 3/8 ZP
10	3400392	8	NUT—FLANGE LOCK 3/8-16

ENGINE COVER



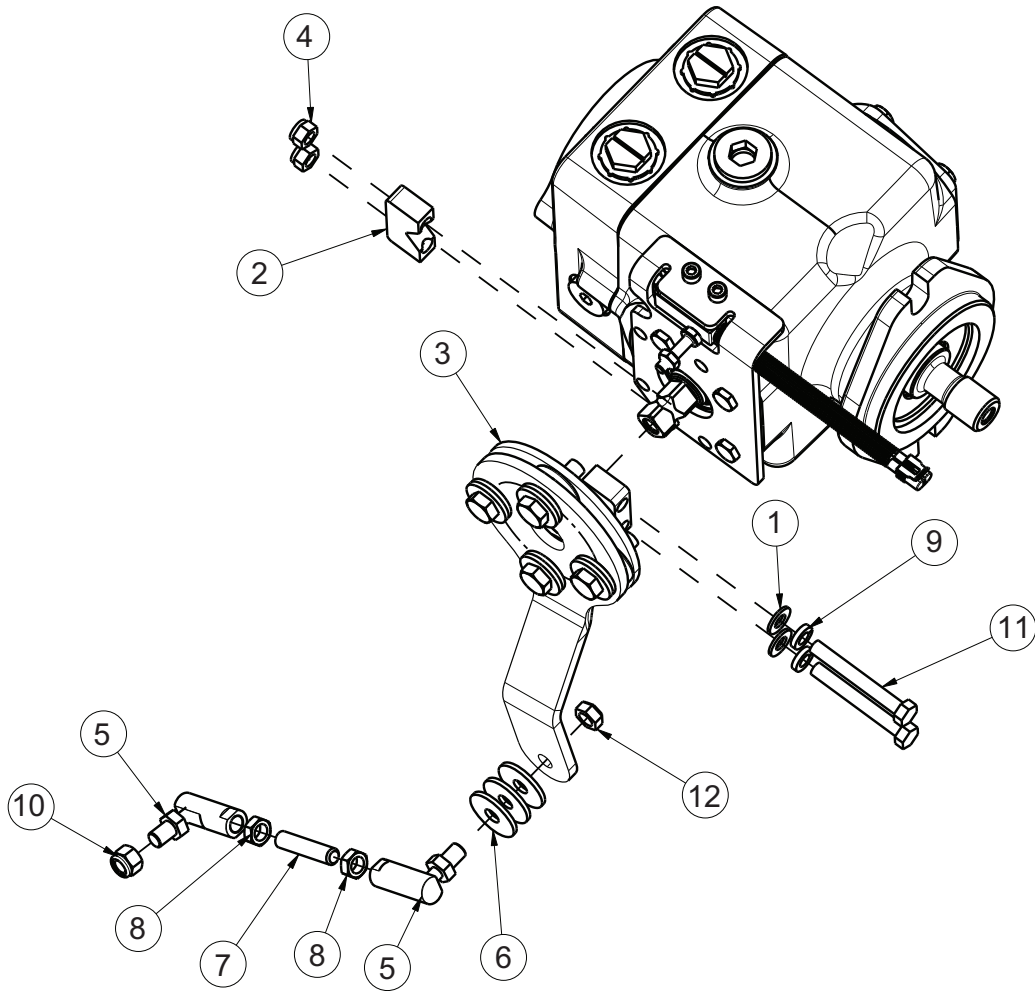
ENGINE COVER			
ITEM	PART NO.	QTY	DESCRIPTION
1	3337680P	1	WELD - SEAT CLIP
2	3335146	1	HANDLE-RECESSED NYL INSET .07-.13 WALL
3	3302472	6	MOUNT—WIRE TIE LOW PROFILE
4	3300526	2	BUMPER-RUBBER 1/4 ID X 1/8 THK
5	711350	10	NUT-JAM 10-32 ZP NYLOC
6	3311373	2	LIGHT—REAR TAIL RED
7	730717	1	SCR-BHSCS 3/8-16 X 1.00 SS
8	711380	1	NUT-NYLOC 3/8-16 ZP
9	712301	1	WASHER-FLAT 3/8 ZP
10	3500198	5.5 FT.	SEAL—TRIM CAB
11	3400484	8	RIVET—AVDEL 3/16 X .602
12	661356	1	SEAT, 6X
13	711506	4	WASHER—5/16 FENDER
14	711374	4	NUT-NYLOC 5/16-18 ZP
15	600265	2	LATCH, T-HANDLE & KEEPER
18	3302472	6	MOUNT-WIRE TIE LOW PROFILE
19	3318693	1	CABLE, ENGINE CLIP
20	661358	1	ARMRESTS, SEAT, 6X
21	3338311	1	HARNESS, TAIL-LIGHTS 7AMD
22	3337979	2	HINGE - 4" LG X 1/4 PIN
23	661357	1	SEAT RAIL, 6X
28	661274	1	WELD - ENGINE COVER
29	3400044	4	SCR-HEX,#10-32X0.75 ZP

DIRECTION CONTROL ASSEMBLY



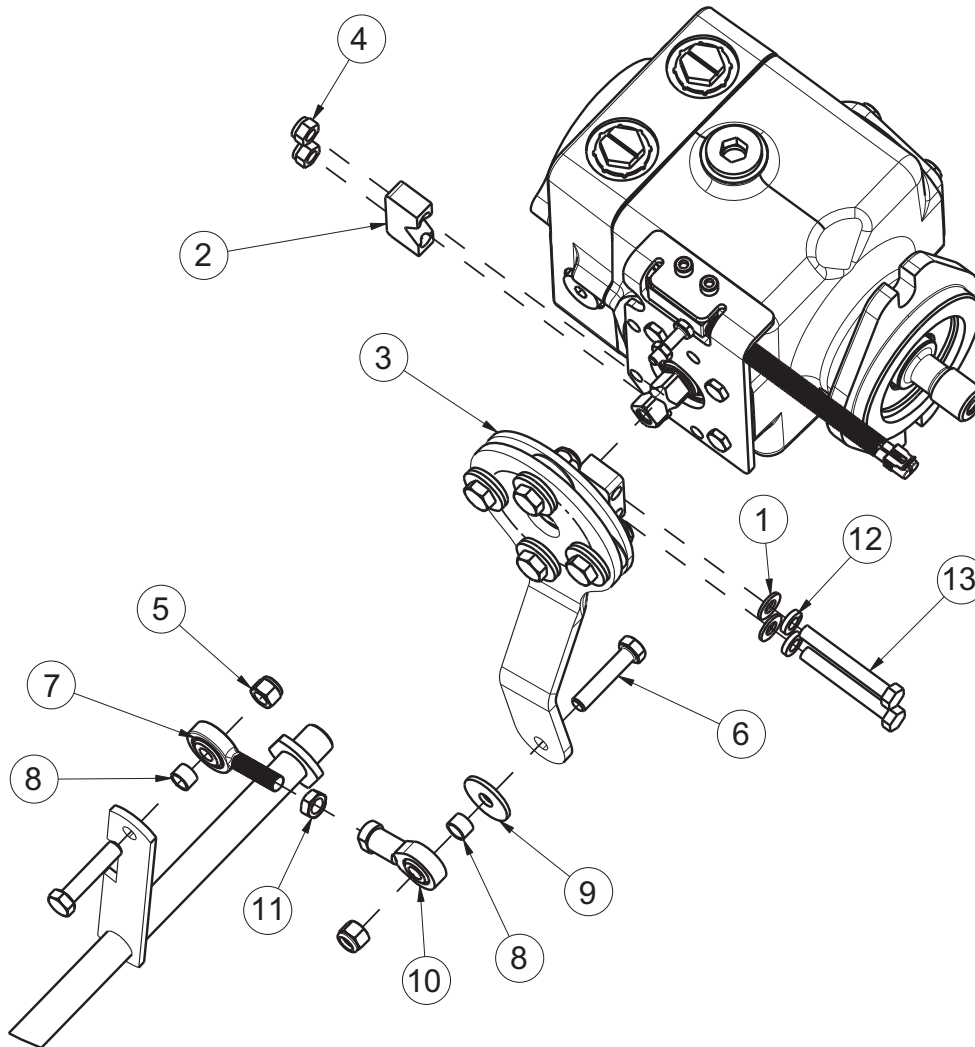
DIRECTION CONTROL ASSEMBLY			
ITEM	PART NO.	QTY	DESCRIPTION
1	3337974	1	ASSY- FLOOR PAN UPPER
2	730988	1	PAD, FLOOR
4	3300737	1	WELD—PEDAL FWD / REV PNTD
5	3300544	1	PAD—FOOT PEDAL
6	3400114	1	PIN—CLEVIS 3/8 X 4.00 ZP
7	3300414	2	BUSHING—PLASTIC MN BRM
8	3400125	1	PIN—COTER 3/8 RUE-RING
9	712301	1	WASHER-FLAT 3/8 STANDARD ZP
10	713045	2	SCR-HH 3/8-16 X 1.75 ZP GR 5
11	3301085	4	SPACER-FRONT BUMPER PLTD
12	3400075	4	NUT-HEX JAM 3/8-24 ZP
13	3307223	1	MNT—BUSHING DIR CONT
14	3307220	1	BEARING—DIR CONTROL
15	3338013	1	WELD—DIR TORQUE TUBE
16	3307220	1	BEARING—DIR CONTROL
17	3307223	1	MNT—BUSHING DIR CONT
19	3336697	1	ROD FWD/REV - DIR CONTROL PEDAL
20	3309734	1	FLOOR MAT—SMALL
24	3337913P	1	FLOOR BOARD - LOWER
25	600265	2	LATCH, T-HANDLE & KEEPER
26	3400044	4	SCR-HEX,#10-32X0.75 ZP
27	711350	4	NUT-HEX JAM #10-32 ES ZP
28	3308762	2	ROD END-FEMALE 3/8-24
29	711380	2	NUT-NYLOC 3/8-16 ZP

DIRECTION LINK GROUP (DIESEL)



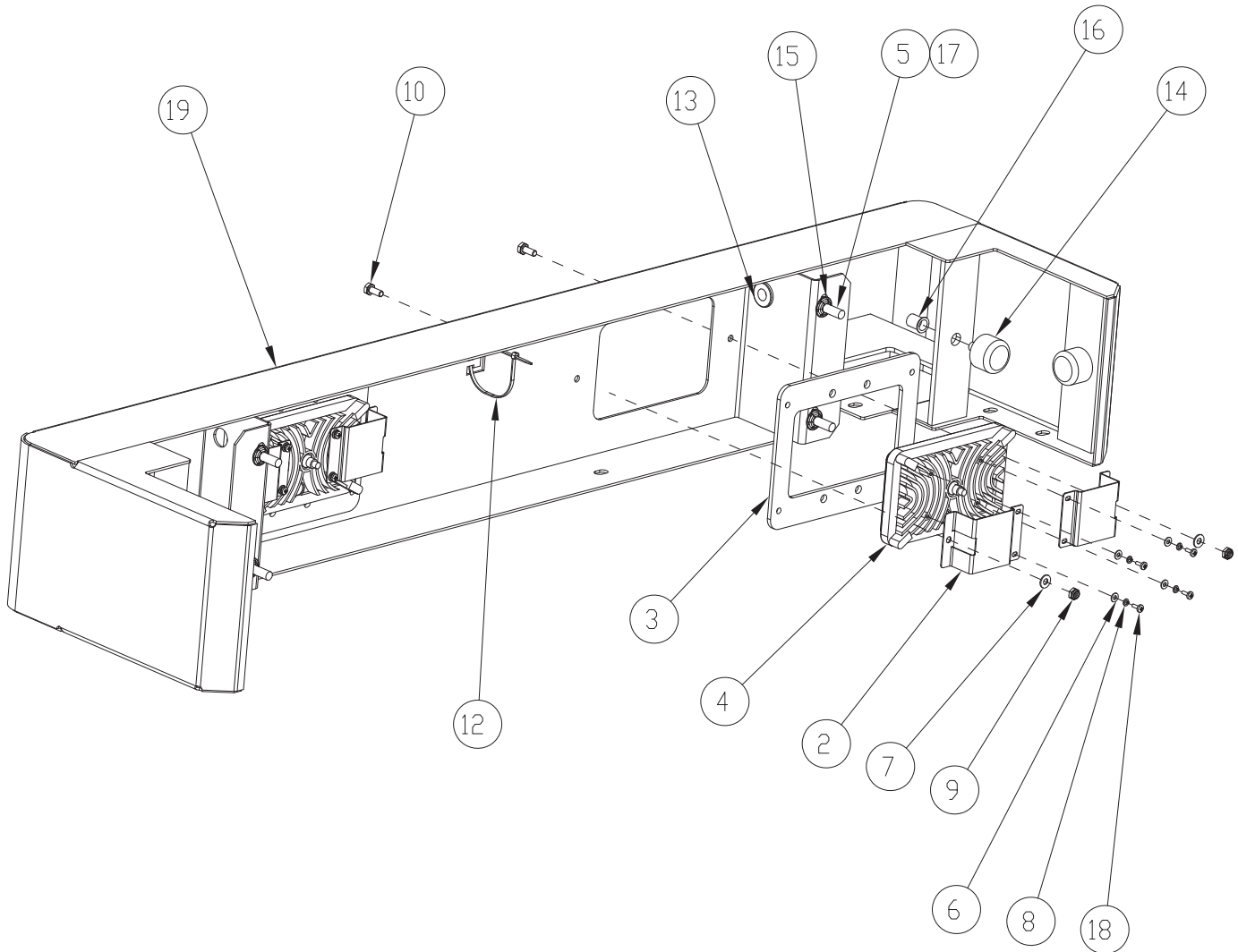
DIRECTION LINK GROUP (DIESEL - 661179)			
ITEM	PART NO.	QTY	DESCRIPTION
1	600941	2	WASHER-FLAT 5/16 X .688 ZP
2	661150-FIN	1	CLAMP, DIR CNTRL ARM, W/FINISH - 6X
3	661178	1	ASSY, DIRECTIONAL LINK ARM - 6X
4	711374	2	NUT-NYLOC 5/16-18 ZP
5	3300461	2	BALL JOINT-3/8-24 W/DUST COV.
6	3307187	3	SPACER-IMPELLER ZP SW/A
7	3336017	1	ROD-SHORT DIRECTIONAL ZP
8	3400075	2	NUT-JAM 3/8-24 ZP
9	711545	2	WASHER-LOCK 5/16 SPLIT ZP
10	3400342	1	NUT-NYLOC 3/8-24 ZP
11	3400466	2	SCR-HH 5/16-18 X 2.50 ZP GR 5
12	3402044	1	NUT-HEX JAM 3/8-24 ES ZP

DIRECTION LINK GROUP (GAS/LP)



DIRECTION LINK GROUP (GAS/LP - 661191)			
ITEM	PART NO.	QTY	DESCRIPTION
1	600941	2	WASHER-FLAT 5/16 X .688 ZP
2	661150-FIN	1	CLAMP, DIR CNTRL ARM, W/FINISH - 6X
3	661178	1	ASSY, DIRECTIONAL LINK ARM - 6X
4	711374	2	NUT-NYLOC 5/16-18 ZP
5	711380	2	NUT-NYLOC 3/8-16 ZP
6	713045	2	SCR-HH 3/8-16 X 1.75 ZP GR 5
7	730524	1	ROD END, 3/8, MALE
8	730873	2	SPACER, .406 B .498 OD .325 T
9	3307187	1	SPACER-IMPELLER ZP SW/A
10	3308762	1	ROD END-FEMALE 3/8-24
11	3400075	1	NUT-JAM 3/8-24 ZP
12	711545	2	WASHER-LOCK 5/16 SPLIT ZP
13	3400466	2	SCR-HH 5/16-18 X 2.50 ZP GR 5

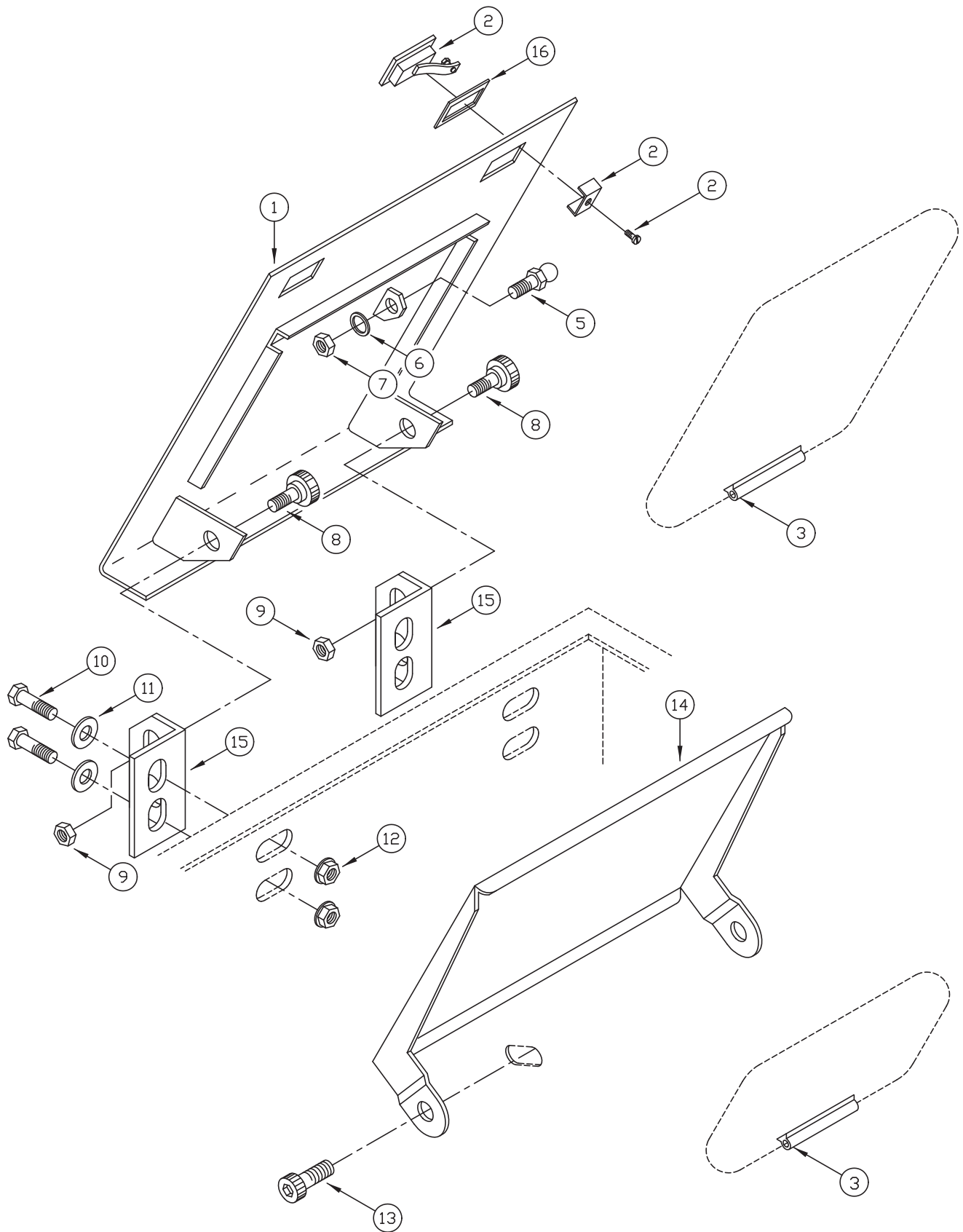
BUMPER



BUMPER			
ITEM	PART NO.	QTY	DESCRIPTION
2	620310	4	BRKT, HEADLIGHT RETAINING
3	690953	2	GASKET, HEADLIGHT MOUNT - 4 X 6
4	691001-1	2	HEADLIGHT ASSY, 4X6 LED WITH DRL
5	711250	4	SCR-HH 3/8-16 X 1.25 ZP GR 5
6	711502	8	WASHER-FLAT #8 ZP
7	711504	4	WASHER-FLAT 1/4 SS
8	711542	8	WASHER-LOCK #8 SPLIT ZP
9	711688	4	NUT-JAM 1/4-20 NYLOC SS
10	713001	4	SCR-HH 1/4-20 X .62 GR 5 ZP
11	749137	1	HARNESS ASSY, HEADLIGHTS 6X/7D
12	828062-B	1	CABLE TIE-LARGE (BLACK)
13	3311564	1	GROMMET-RUBBER, 1/2 ID
14	3316871	4	BUMPER-RUBR 1.50" DIA X 1" THK 3/8-16 STUD
15	3316981	4	NUT-PUSH RETAINER 3/8 BOLT, 25/32 OD ZP
16	3322189	4	INSERT-3/8-16 UNC THREADED
17	3400385	4	WASHER-CONICAL SPRING 3/8
18	11175395	8	SCR-MC PAN HD M4 X 0.7 X 10 304SSDIN7985
19	3318577P	1	BUMPER-FRONT 6X, SDG

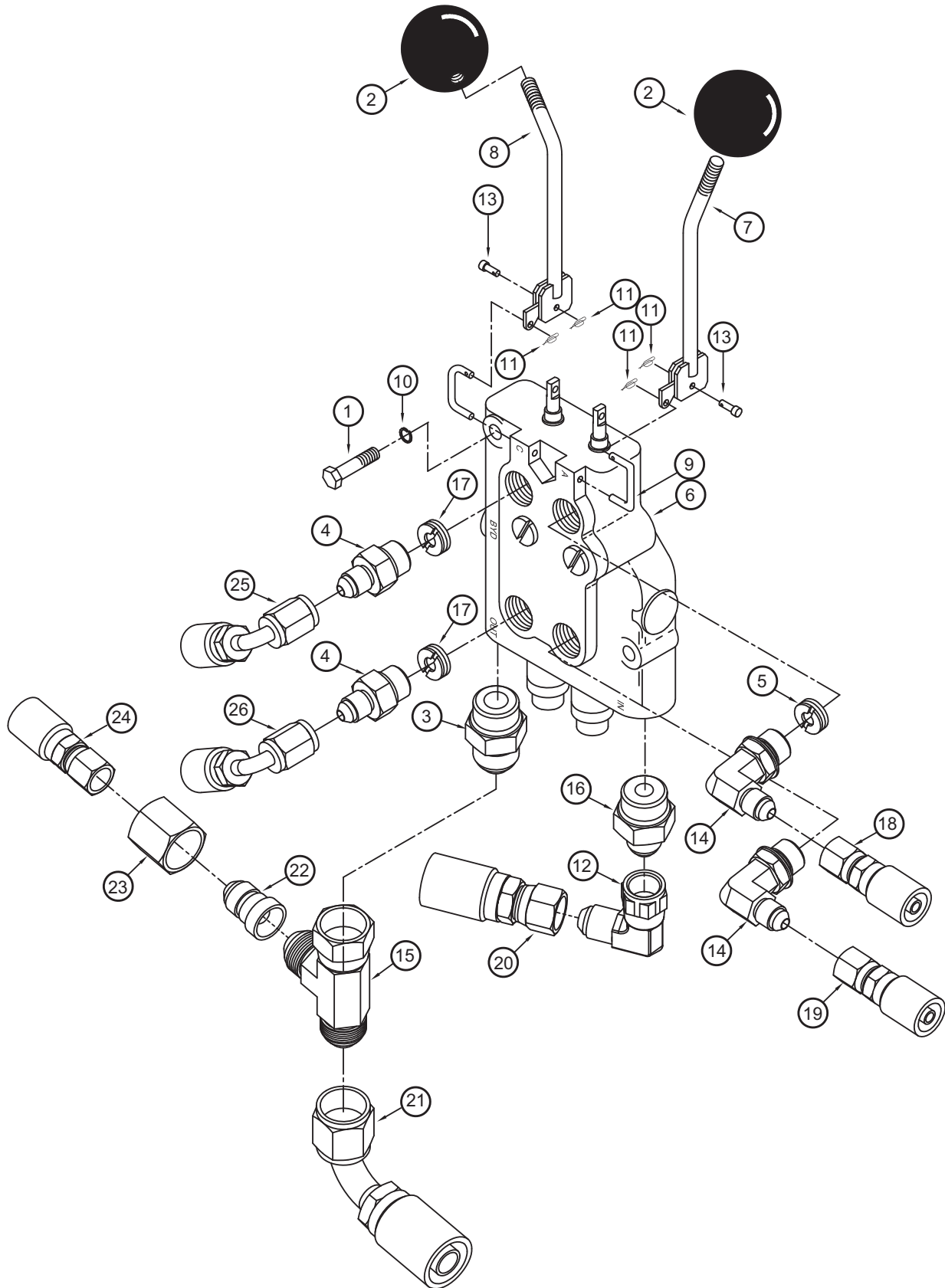
HOPPER			
ITEM	PART NO.	QTY	DESCRIPTION
1	3318610-DSB	1	ASSY- HOPPER SW/62U ORANGE, DSB
2	661360	1	FILTER-6X (15 X 30 X 3.19 NOM) ALUM
5	748149-1	1	ASSY, SHAKER MOTOR W/CONNECTOR
6	3300904	1	MOUNT - NEOPRENE SHAKER MOTOR
7	711374	2	NUT-NYLOC 5/16-18 ZP
8	750073	1	BRACKET SHAKER MOTOR
9	210118	2	KNOB-3 SIDED 5/16 NYLOC
10	3400278	2	WASHER-FENDER 3/8 X 1.25 ZP
11	3307850	2	ISOLATOR - HOPPER FILTER
12	661009	1	MOUNT-SHAKER MOTOR, AM7D
13	70-516-16	2	BLT-CARR 5/16-18 X 1 ZP
14	3305006	1	SPRING - GAS
15	3400070	2	NUT - HEX 5/16-18 ZP
16	749052	1	HARNESS, HOPPER JUMPER
17	3311237	4	FLAP - HOPPER LIP
18	710986	8	SCR-BHSCS 3/8-16 X 1.00 ZP
19	3311238	1	ANGLE - HOPPER FLAP RETAINER
20	17526120	3	CABLE TIE MOUNT W/ADHESIVE 1"X1"
21	3301665	1	GROMMET - Z - 2056
22	3322189	10	INSERT 3/8-16 UNC, THREADED
23	3300376	1	STUD - BALL GAS SPRING
24	711545	2	WASHER - LOCK 5/16 SPLIT ZP
25	3400384	2	WASHER-CONICAL SPRING 5/16
26	3334676	2	ROD-5/16-18X4.88, FILTER TIE DOWN

HOPPER HOOD AND LID ASSEMBLIES



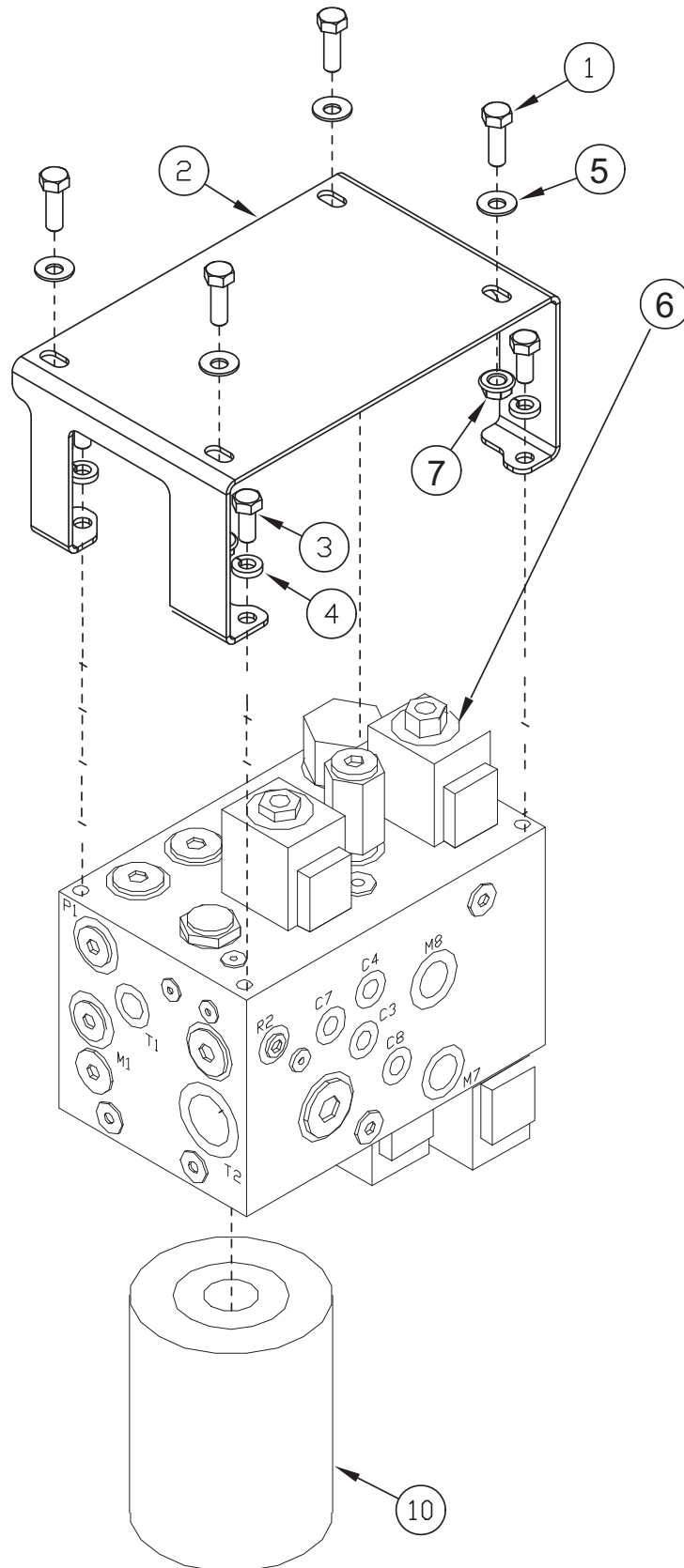
HOPPER HOOD AND LID ASSEMBLIES			
ITEM	PART NO.	QTY	DESCRIPTION
1	661049	1	HOOD, HOPPER, AM7D/6X
2	3337930	2	LATCH ASSEMBLY
3	3318739	7.0 FT.	WEATHER STRIPPING—RUBBER SPONGE
5	3300376	1	STUD—BALL GAS SPRING
6	711545	1	WASHER—LOCK 5/16 SPLIT ZP
7	3400070	1	NUT—HEX 5/16-18 ZP
8	3400052	2	SCR—HSS 5/16 DIA X .25 ZP
9	711228	2	SCR-HH 5/16-18 X .75 ZP GR 5
10	3400035	4	SCR—HEX 5/16-18 X 1.00 ZP
11	3400384	4	WASHER—CONICAL SPRING 5/16
12	711379	4	NUT-FLANGED WIZZ 5/16-18 ZP
13	3400170	2	SCR—HSS 1/2 DIA X .31 ZP
14	3318540P	1	LID—HOPPER
15	3311245	2	HINGE—FILTER COVER PAINTED
16	3337981	2	GASKET - LATCH

CONTROL VALVE



CONTROL VALVE			
ITEM	PART NO.	QTY	DESCRIPTION
1	713007	2	SCR-HH 1/4-20 X 2.00 ZP GR 5
2	3300562	2	KNOB—BALL 1.375" DIA #95 BLACK
3	675525	1	FTG-STR THD RUN TEE -8 ORFS TO -8 SAE
4	675511	2	FTG-STR THD CONNECTOR -4 ORFS TO -6 SA
6	3338092	1	DIR CONTROL VALVE—SW6XV
7	3313278	1	WELD—VALVE HANDLE LH 62 G&D
8	3313277	1	WELD—VALVE HANDLE RH 62 G&D
9	3313298	2	LINK—U CONTROL SW62 GAS/DSL/LP
10	711544	2	WASHER—LOCK 1/4 SPLIT ZP
11	3400742	4	RUE RING—1/4 HEAVY ZP
12	675516	1	FTG-STR THD RUN TEE -6 ORFS TO -6 SAE
13	620141	2	PIN-CLEVIS 3/16 X 3/4, ZP
14	675546	2	FTG-STR THD ELBOW -4 ORFS TO -6 SAE
16	675562	1	FTG—ADPT ST THD 3/4-16 TO #6
18	675485	1	HOSE HOP A (STR) TO BASE HOP LFT (STR)
19	675480	1	HOSE HOP B (90) TO ROD HOP LIFT (STR)
20	675487	1	HOSE HOP IN (STR) TO STR PB (45)
21	675470	1	HOSE CHRG T (STR) TO HOP OUT (90)
22	675573	1	FTG-REDUCER 1/2" TO 3/8 OD TUBE
24	675486	1	HOSE HOP OUT (STR) TO STR T (45)
25	675484	1	HOSE HOP C (90) TO HOP ROT BASE (STR)
26	675483	1	HOSE HOP D (90) TO HOP ROT ROD (STR)
27	675468	1	HOSE CHRG T (90) TO HOP B PORT (STR)

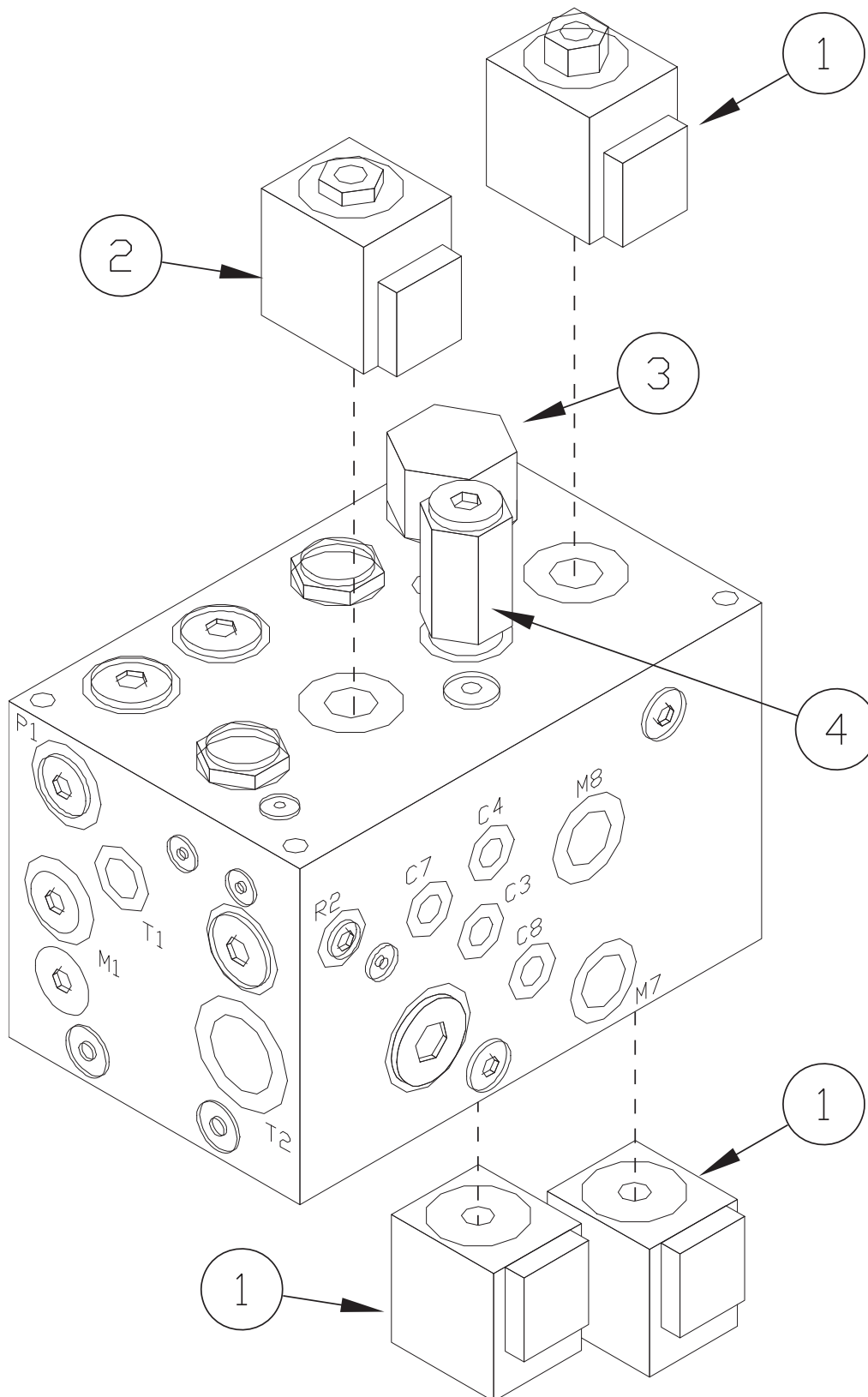
HYDRAULIC MANIFOLD ASSEMBLY



HYDRAULIC MANIFOLD ASSEMBLY			
ITEM	PART NO.	QTY	DESCRIPTION
1	3400035	4	SCREW-HEX,5/16-18X1.00 ZP
2	3336666	1	MOUNT, HYDRAULIC MANIFOLD
3	711228	4	SCR-HH 5/16-18 X .75 ZP GR 5
4	711545	4	WASHER—LOCK 5/16 SPLIT ZP
5	3400384	4	WASHER-CONICAL SPRING 5/16
6	3338100	1	VALVE—HYD MANIFOLD SWEEPERS
7	3400390	4	NUT-FLANGE LOCK 5/16-18
10	3300359	1	FILTER - HYD

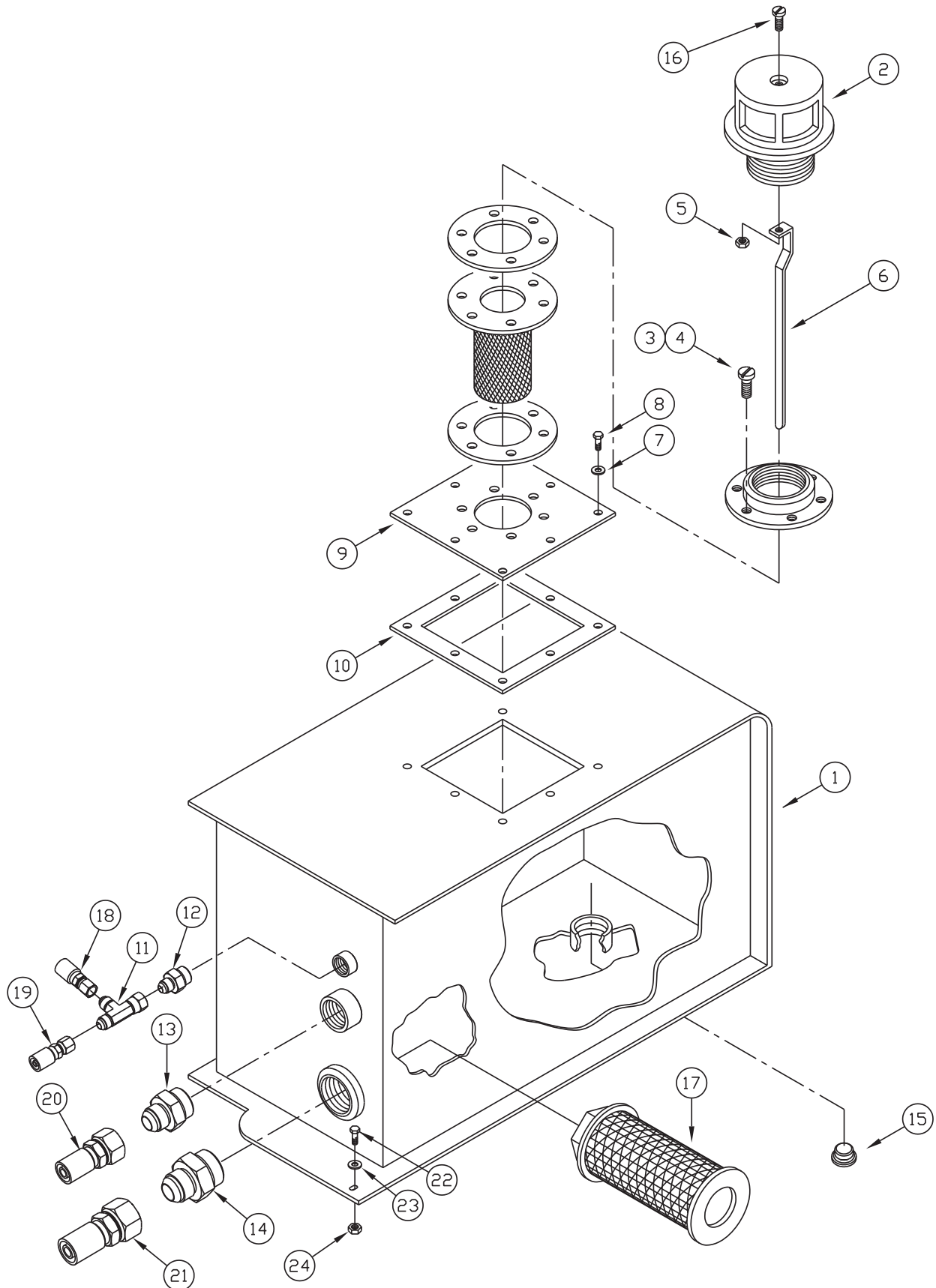
PORT NO.	FITTING PART #	HOSE PART #
C1	3331436 (PLUG)	N/A
C2	3331436 (PLUG)	N/A
C3	675507	675478
C47	675508	675479
C7	675508	675488
C8	675517	675469
M3	675523	675477
M4	675523	675476
M5	675523	675471
M6	675575	675472
M7	675527	675465
M8	675527	675467
P2	675523	675466
ST	675515	675475
T1	675572	675464
T2	675571	675625

HYDRAULIC MANIFOLD



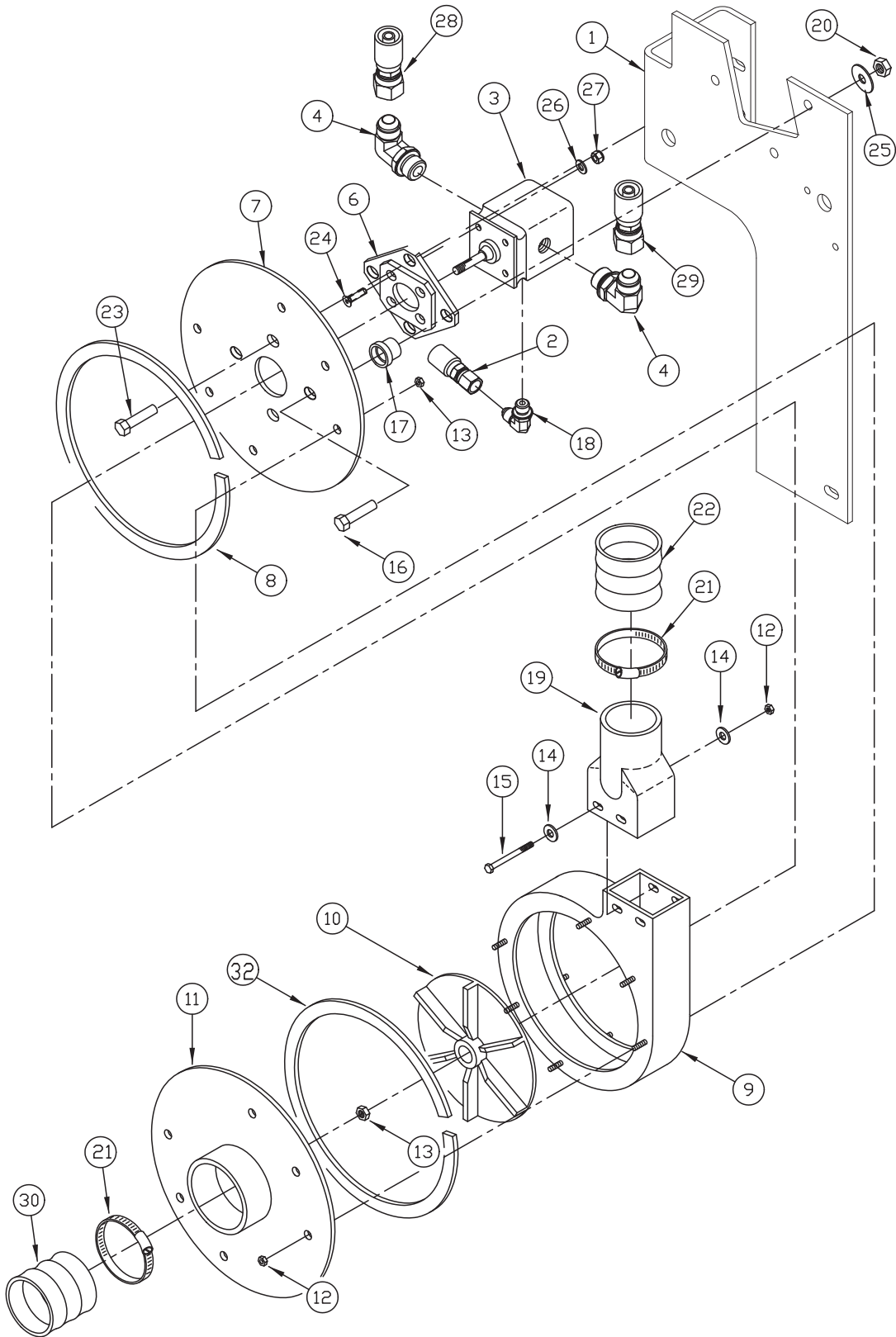
HYDRAULIC MANIFOLD			
ITEM	PART NO.	QTY	DESCRIPTION
1	3338101	3	SOLENOID VALVE(SVC PART ONLY)
*	3331353	3	COIL-EATON SPECIAL
2	3338102	1	SOLENOID VALVE(SVC PART ONLY)
*	3331353	1	COIL-EATON SPECIAL
3	3337629	1	FLOW REGULATOR
4	3337630	1	RELIEF VALVE

HYDRAULIC RESERVOIR



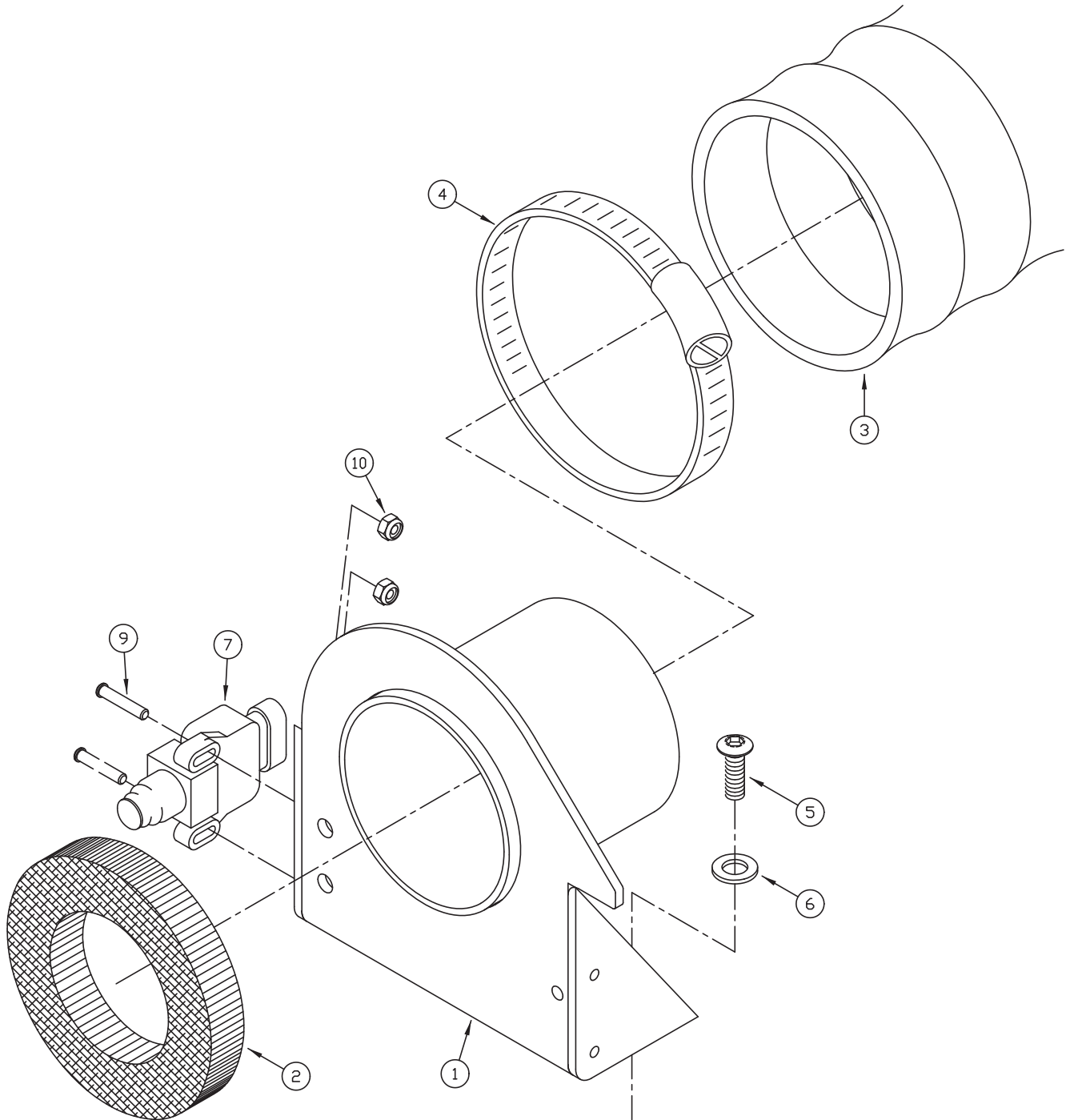
HYDRAULIC RESERVOIR			
ITEM	PART NO.	QTY	DESCRIPTION
1	3338019	1	WELD—HYDRAULIC RESERVOIR
2	3305576	1	FILTER—BREATHER ASSEMBLY
3	3400044	1	SCR—HEX,#10-32X0.75 ZP
4	711350	1	NUT—HEX JAM #10-32 ES ZP
5	711372	1	NUT—HEX #8-32 ES ZP
6	3312273	1	DIPSTICK—HYD SW/62 DSL
7	3302249	2	SPACER-NYLON .56 OD .25 ID .18
8	3400040	1	SCR—HEX,1/4-20X1.00 ZP
9	3332336	1	COVER-RESERVIOR 6XV
10	3300007	1	GASKET—SOLUTION TANK
11	675522	1	FTG-STR THD RUN TEE -6 ORFS TO -8 ORFS T
12	675552	1	FTG-STR THD 45 -6 ORFS TO -6 SAE
13	675535	1	FTG-STR THD ELBOW -12 ORFS TO -16 SAE
14	675560	1	FTG—STR CONN (16FTX-S)
15	3400164	1	FTG—PLUG 3/4-16 O RING
16	3400045	1	SCR—PAN,#8-32X0.62,SLT ZP
17	3307573	1	STRAINER—HYDRAULIC TM-15
18	675463	1	HOSE RES (90) TO IMP CD (STR)
19	675464	1	HOSE RES (STR) TO T1 (STR)
20	675626	1	HOSE, OIL COOLER, LOWER - 6X
21	675460	1	HOSE RES (STR) TO HYD (45) PUMP
22	711250	4	SCR-HH 3/8-16 X 1.25 ZP GR 5
23	3400385	4	WASHER-CONICAL SPRING 3/8
24	3400392	4	NUT-FLANGE LOCK 3/8-16

IMPELLER



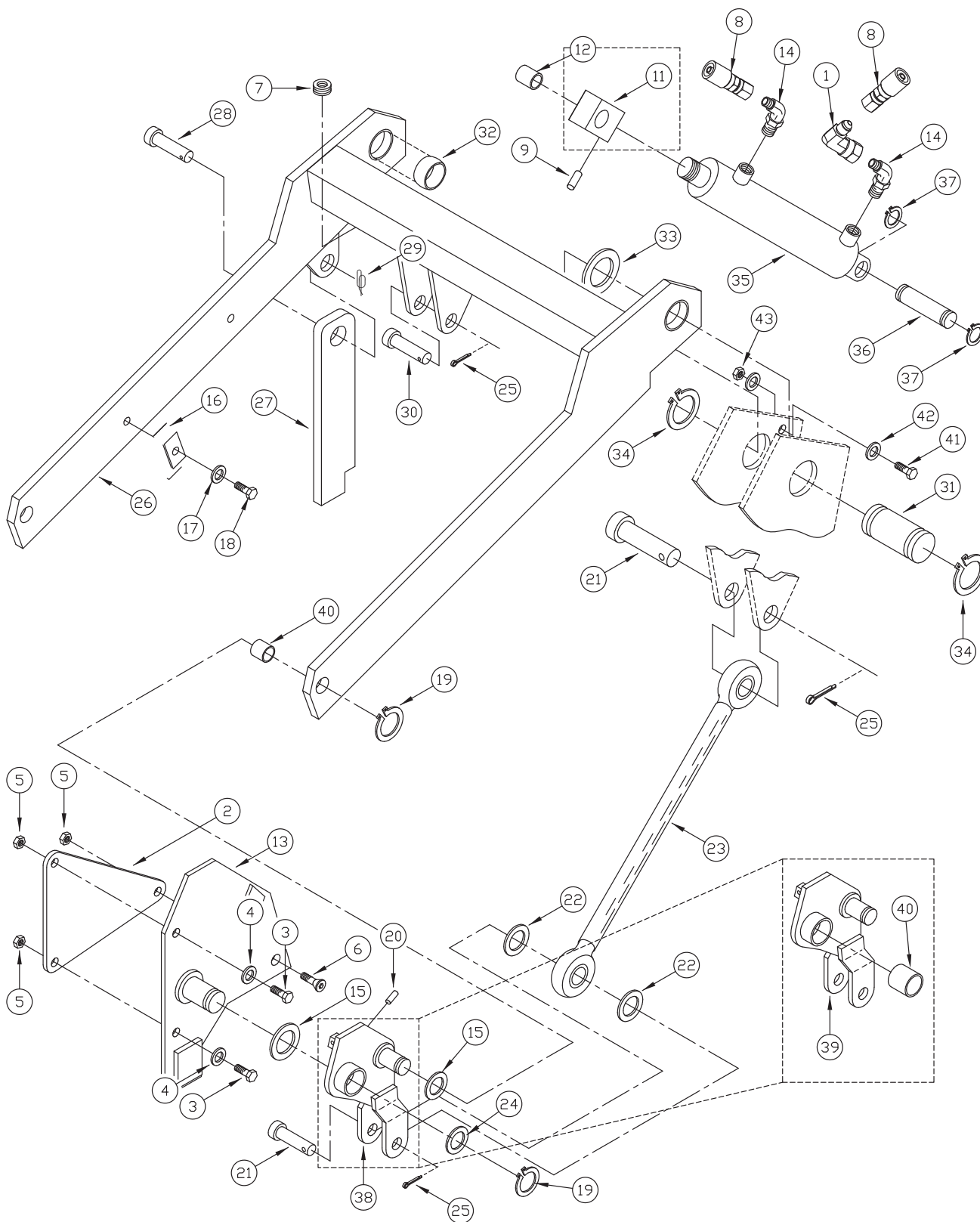
IMPELLER			
ITEM	PART NO.	QTY	DESCRIPTION
1	3338016	1	MOUNT—IMPELLER - DSL
	661347		MOUNT—IMPELLER - GAS/LPG
2	675463	1	HOSE RES (90) TO IMP CD (STR)
3	3313008	1	MOTOR—HYDRAULIC IMPELLER
4	675524	2	FTG-STR THD CONNECTOR -8 ORFS TO -8 SA
6	3307152	1	WELD—IMPELLER MOTOR MNT PNTD
7	3322121	1	MOUNT—IMPELLER MOTOR PNTD
8	3335458	1	GASKET-TOP IMPELLAR, ARMA
9	3307004	1	SHROUD—IMPELLER PNTD
10	3307003	1	IMPELLER—ARMA CASTING & MACHIN
11	3311334	1	ASSEMBLY—IMPELLER INLET PLATE PNTD
12	711373	14	NUT-NYLOC 1/4-20 ZP
13	3400420	1	NUT—HEX 5/16-24 ES
14	711505	4	WASHER—FLAT 1/4 STANDARD ZP
15	3402008	2	SCR—HEX 1/4-20 X 3.75 ZP
16	3400027	3	SCR—HEX 3/8-16 X 1.75 ZP
17	3300465	4	MOUNT—ISOLATION
18	675508	1	FTG-STR THD CONNECTOR -4 ORFS TO -4 SA
19	3315347	1	EXHAUST—IMPELLER 9XV
20	711380	4	NUT-NYLOC 3/8-16 ZP
21	3300351	1	CLAMP-HOSE, 4.5" DIA, SS
22	3338227	1	HOSE-IMPELLER EXHAUST, 3.5 DIA X 30 LG
23	713044	1	SCREW-HEX, 3/8-16 X 1.50 ZP
24	3400016	4	SCREW-FLT, 5/16-18 X 1.25, SOC ZP
25	3400278	4	WASHER-FENDER 3/8 ZP
26	711506	4	WASHER-FLAT 5/16 IDX.688 ODX.065 THK
27	711374	4	NUT-NYLOC 5/16-18 ZP
28	675465	1	HOSE REAR IMP (90) TO M7 (STR)
29	675467	1	HOSE FRONT IMP (90) TO M8 (STR)
30	3309034	1	HOSE-IMPELLER
32	3335459	1	GASKET-BOTT IMPELLAR, ARMA

GASKET MOUNT



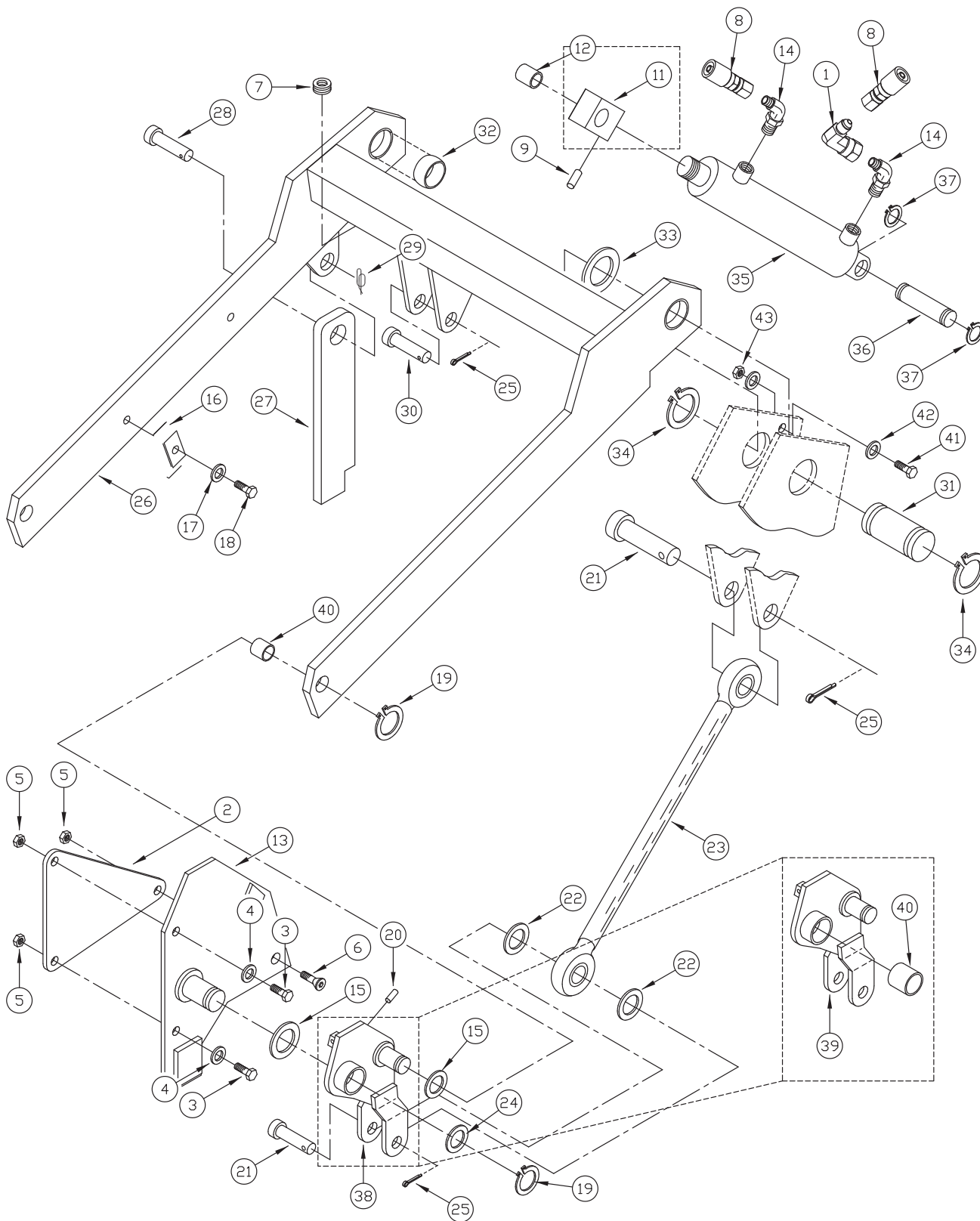
GASKET MOUNT			
ITEM	PART NO.	QTY	DESCRIPTION
1	3318473	1	WELD—GASKET MOUNT
2	3307005	1	GASKET—IMPELLER
3	3309034	1	HOSE—IMPELLER
4	3300351	1	CLAMP—HOSE 4½" DIA.
5	713042	2	SCR-HH 3/8-16 X 1.00 ZP GR 5
6	712301	2	WASHER-FLAT 3/8 ZP
7	3335945	1	SWITCH - COBO W/ AMP CONNECTOR
9	710360	2	SCR-PHMS 10-32 X 1 ZP
10	711350	2	NUT - HEX JAM #10-32 ES ZP

LIFT ARM PART 1



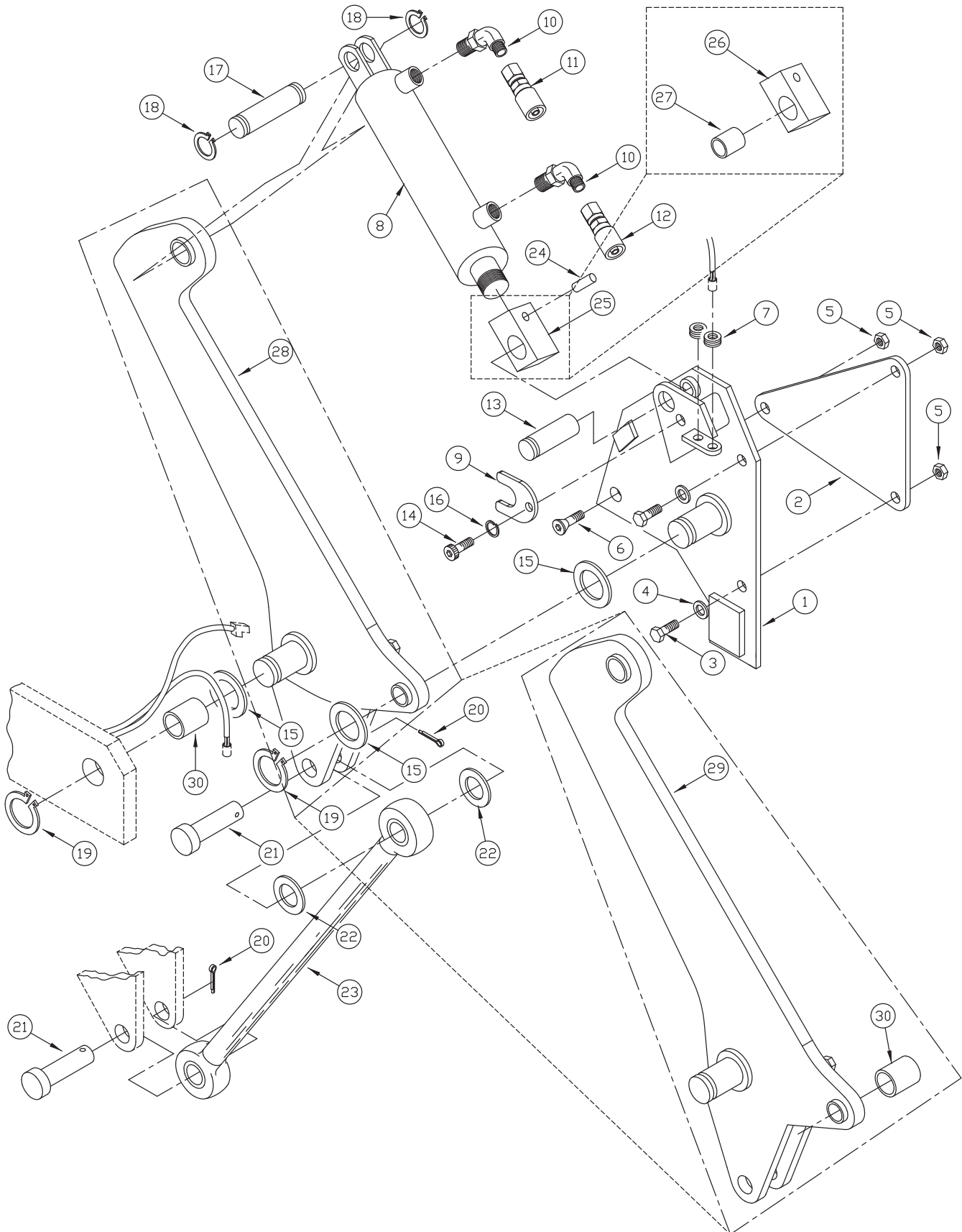
LIFT ARM PART 1			
ITEM	PART NO.	QTY	DESCRIPTION
1	675547	1	FITTING ORIFICE .047 #4
2	3311244	2	PLATE—HOPPER DOUBLER
3	713042	4	BOLT—3/8-16 X 1.0 LONG
4	712301	4	WASHER—3/8 FLAT
5	3400392	6	NUT 3/8-16 FLANGE LOCK
6	3400444	2	SCREW—FLAT HD 3/8-16 X 1.0
7	3301665	3	GROMMET—Z2056
8	675480	2	HOSE HOP B (90) TO ROD HOP LIFT (STR)
9	712914	2	SCR, SET, 1/4-20 X .62, CUP, SQ HD, ZP
***	3319089	1	ASSY- BLOCK CYL (INCLUDES ITEMS 9, 11 & 12)
11	3300229	1	ASSEMBLY—BLOCK CYLINDER PLTD
12	3300552	1	BEARING—1.0ID X 1.50LG
13	3311212P	1	ASSEMBLY—ROTATION PLATE LH
14	675507	4	FTG-STR THD ELBOW -4 ORFS TO -4 SAE
15	3311458	4	BEARING—FIBERGLIDE LTD-2442
16	3305398	2	CLAMP-HYD HOSE, PLATED
17	3400385	2	WASHER-CONICAL SPRING 3/8
18	711250	2	SCR-HH 3/8-16 X 1.25 ZP GR 5
19	3311330	4	RETAINING RING 5100-150
21	3400439	2	PIN—CLEVIS 3/4 X 2.00
22	3311012	4	WASHER—HI-DUMP SPACER SEC. ARM
23	661015	2	ASSEMBLY—SECONDARY LIFT ARM
24	3311219	2	WASHER-SPACER ROTATION PLT ZP
25	3400121	5	PIN-COTTER 5/32 X 1.50 ZP
26	3338096M	1	WELD—LIFT ARM
27	3311316	1	SAFETY ARM PAINTED
28	3400462	1	PIN—CLEVIS 5/8 X 1.5
29	3400124	1	PIN—COTTER 5/8 RUE-RING
30	3400472	1	PIN—CLEVIS 1.0 X 3.0 ZP

LIFT ARM PART 1 (CONTINUED)



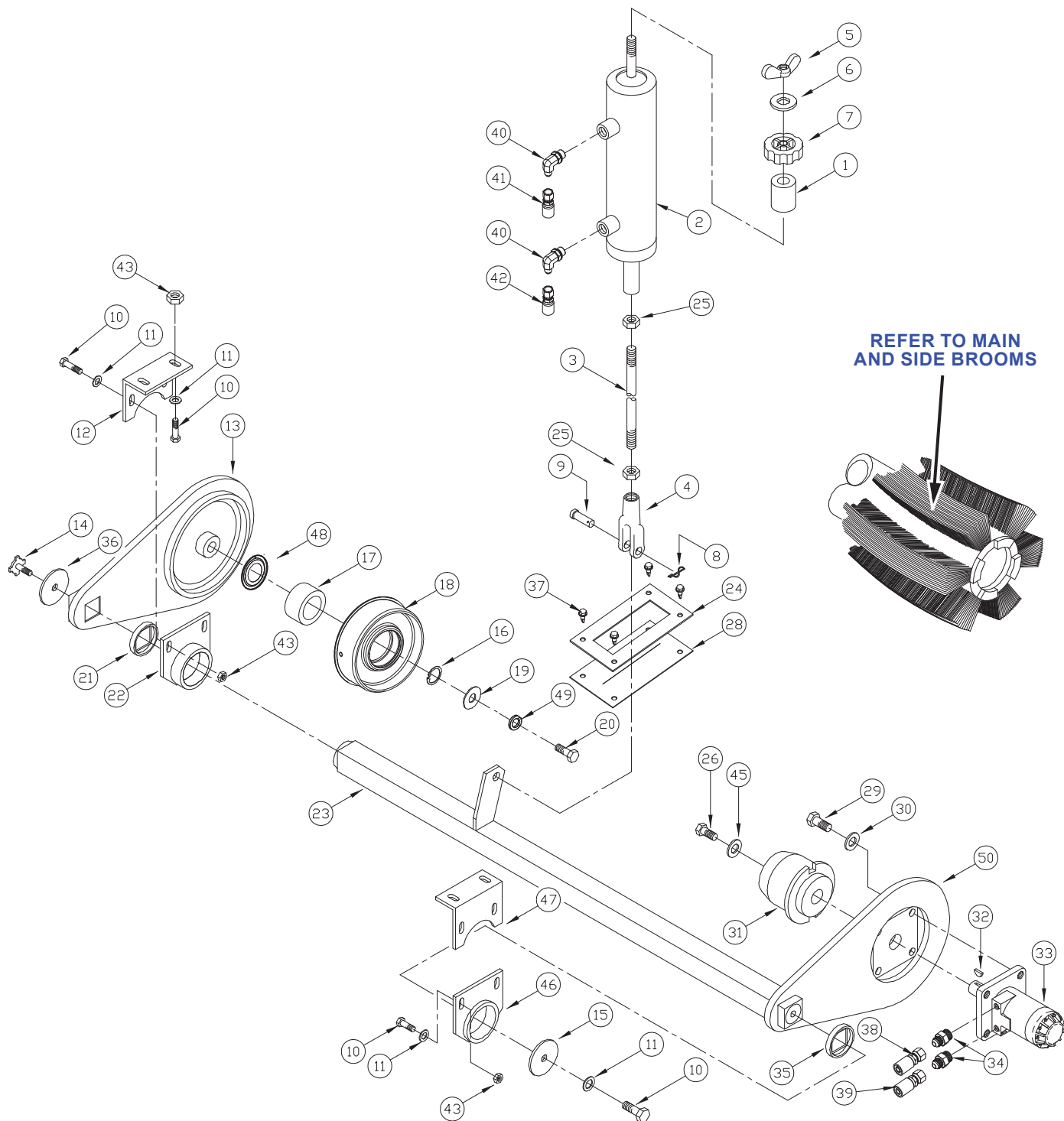
LIFT ARM PART 1			
ITEM	PART NO.	QTY	DESCRIPTION
31	3337952	2	WELD - ROTATION PIN ZP
32	3300836	2	BEARING—2.18OD X 2.00ID X .75
33	3300882	4	WASHER-HD 3.25 ODX2.00 ID
34	3307431	4	RING-RETAINING EXT LIFT CYL
35	3318711	1	CYLINDER3"BORE X 13.25 STROKE
	3330887	1	KIT—CYLINDER SEAL (GREEN MFG)
	3331331	1	KIT—CYLINDER SEAL (GOLD STAR)
36	3307408	1	PIN—CYLINDER MOUNT
37	3307431	2	RING—RETAIING 5100-125
38	3311724	1	ASSY- LIFT ARM IDLER (INCLUDES ITEMS 39 & 40)
39	3311198P	1	ASSEMBLY—LIFT ARM IDLER
40	3311457	2	BEARING—FIBERGLIDE CJS-2428
41	713042	2	SCR-HEX,3/8-16X1.00, GRADE 5, ZP
42	712301	4	WASHER-FLAT 3/8 STANDARD ZP
43	711380	2	NUT-NYLOC 3/8-16 ZP
44	675485	1	HOSE HOP A (STR) TO BASE HOP LFT (STR)

LIFT ARM PART 2



LIFT ARM PART 2			
ITEM	PART NO.	QTY	DESCRIPTION
1	3311206P	1	WELD—ROTATION PLATE RH
2	3311244	2	PLATE—HOPPER DOUBLER
3	713042	4	BOLT—3/8-16 X 1.0 LONG
4	712301	4	WASHER—3/8 FLAT
5	3400392	6	NUT 3/8-16 FLANGE LOCK
6	3400444	2	SCREW—FLAT HD 3/8-16 X 1.0
7	3301665	3	GROMMET—Z2056
8	3316890	1	CYLINDER-HYD, ROTATION SINGLE SW/A
9	690935	1	PLATE, HOPPER PIVOT PIN RETENTION
10	675507	4	FTG-STR THD ELBOW -4 ORFS TO -4 SAE
11	675483	1	HOSE HOP D (90) TO HOP ROT ROD (STR)
12	675484	1	HOSE HOP C (90) TO HOP ROT BASE (STR)
13	3311213	1	PIN—ROTATION PLATE CYLINDER ZP
14	3400219	1	BOLT 5/16-18 X .50 ZP
15	3311458	4	BEARING—FIBERGLIDE LTD-2442
16	711545	1	WASHER—LOCK 5/16 SPLIT ZP
17	3307607	1	PIN—CYL RETAINING
18	3301998	2	RETAINING RING
19	3311330	4	RETAINING RING 5100-150
20	3400121	5	PIN-COTTER 5/32 X 1.50 ZP
21	3400439	2	PIN—CLEVIS 3/4 X 2.00
22	3311012	4	WASHER—HI-DUMP SPACER SEC. ARM
23	661015	2	ASSY-SECONDARY LIFT ARM, 6X
24	3400054	2	SCREW— SET 1/4-20 X .25 LONG ZP
25	3319089	1	ASSY- BLOCK CYL (INCLUDES ITEMS 26 & 27)
26	3300229	1	ASSEMBLY—BLOCK CYLINDER PLTD
27	3300552	1	BEARING—1.0ID X 1.50LG
28	3311722	1	ASSY- LIFT ARM CYLMNT (INCLUDES ITEM 29 & 30)
29	3311200P	1	ASSEMBLY—LIFT ARM CYLINDER MOUNT
30	3311457	2	BEARING—FIBERGLIDE CJS-2428

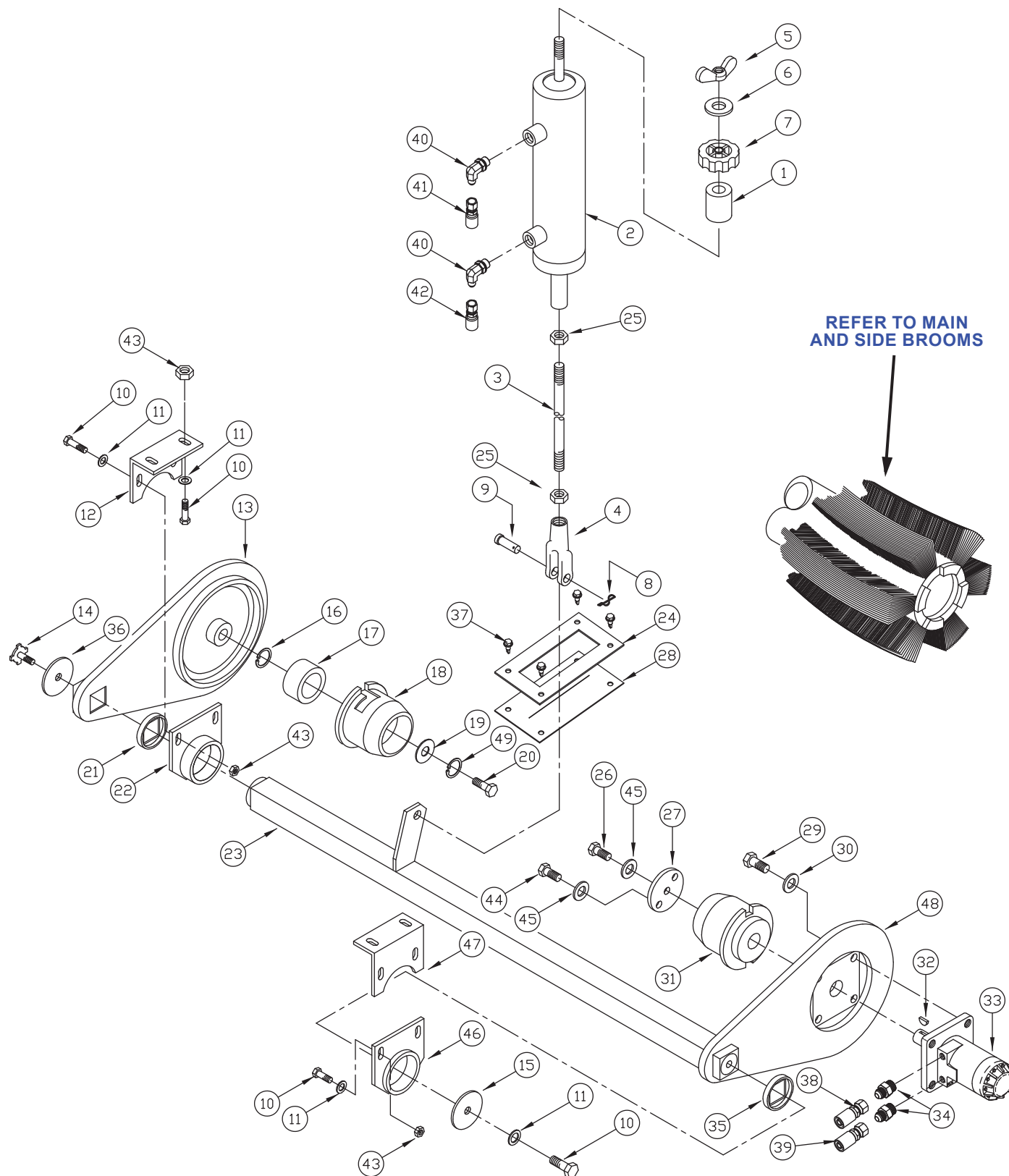
MAIN BROOM ASSEMBLY (6X MODELS)



MAIN BROOM ASSEMBLY			
ITEM	PART NO.	QTY	DESCRIPTION
1	3307181	1	SPACER-MAIN BROOM SW/A PLTD
2	3338129	1	CYLINDER—MAIN BROOM LIFT SW6XV
3	3338192	1	ROD—MAIN BROOM LIFT SW/6XV
4	3301447	1	CLEVIS WITH PIN AND COTTER (INCLUDES #8 AND #9)
5	3400084	1	NUT—WING 1/2-13 ZP
6	3400091	1	WASHER—FENDER 1/2 ZP
7	3300352	1	KNOB—MB LIFT HDJ
8	3400125	1	PIN—COTTER 3/8 RUE RING
9	3400117	1	PIN—CLEVIS 3/8 X 1-1/8
10	713042	9	SCREW—HEX 3/8-16 X 1.00
11	3400385	5	WASHER—CONICAL SPRING 3/8
12	3318675	1	ANGLE-MAIN BROOM MNT L/H ZP
13	661322	1	WELD-MAIN BROOM IDLER ARM, 6X
14	3318429	1	KNOB—MB IDLER RETAINER
15	3311013	1	WASHER—MAIN BROOM RETAINER PLTD
16	3305666	1	RET RING-INT 3.00 X .09 THK MAIN BROOM
17	3305667	1	BEARING-MAIN BROOM 35X72X17 UBC/USBC
18	3305642P-2	1	IDLER - MAIN BROOM
19	3400091	1	WASHER—FENDER 1/2 ZP
20	712003	1	SCR-HH 5/8-11 X 0.75 ZP GR 5
21	3311022	1	BUSHING—MAIN BROOM
22	3311161	1	WELDMENT—MAIN BROOM TUBE BRG MNT R / H
23	3338043P	1	WELD—PIVOT TUBE
24	3311425	1	RETAINER-MB LEVER SEAL PLTD
25	3400075	2	NUT-HEX JAM 3/8-24 ZP
26	3400049	1	SCR—SOC 1/4-20 X 0.75 ZP NYLOCK
28	3311424	1	SEAL-MAIN BROOM LEVER
30	711546	4	WASHER—LOCK 3/8 SPLIT ZP
31	731304-1	1	DRIVER
32	3302082	1	KEY-HYD MOTOR CURB BRM

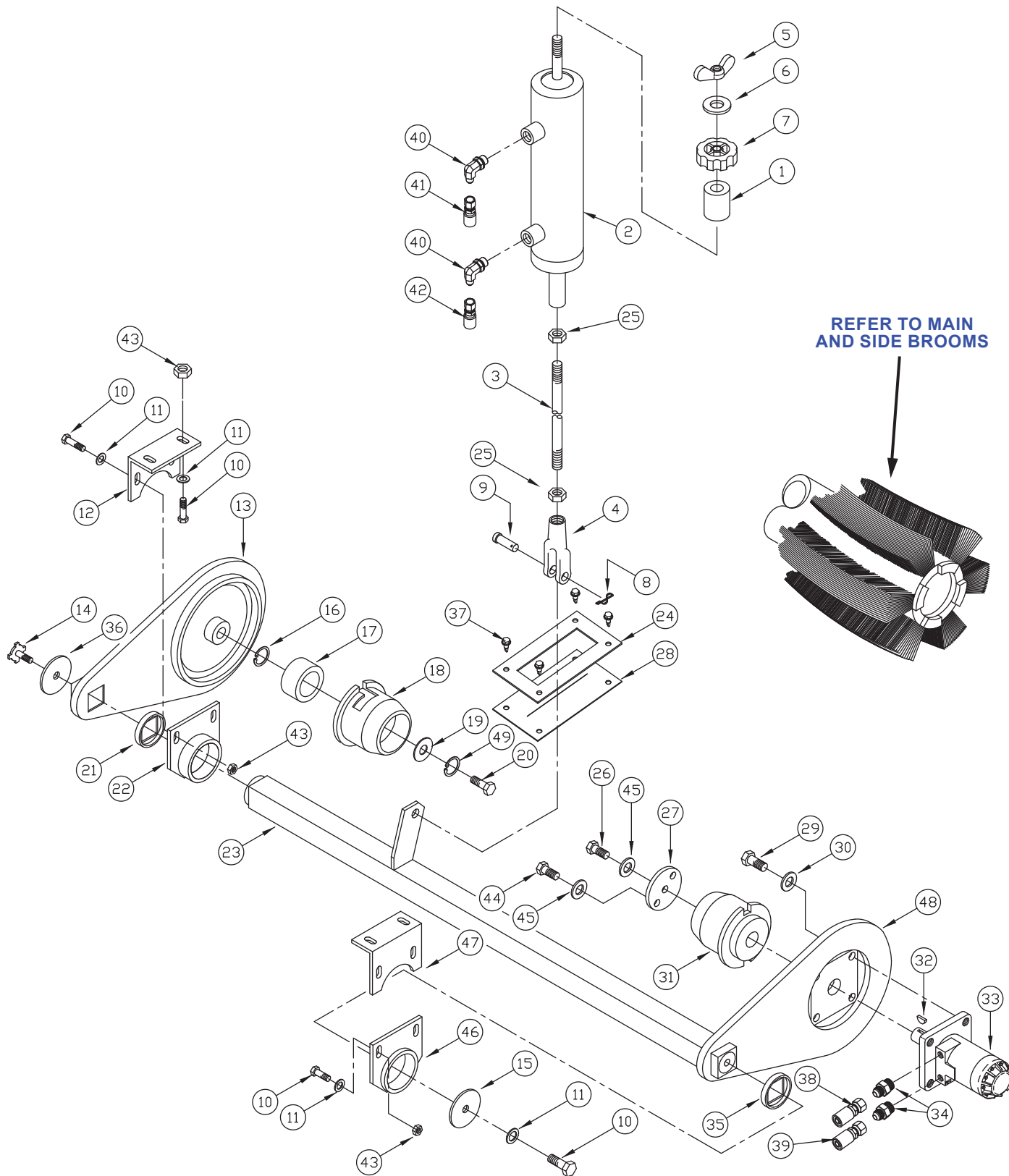
MAIN BROOM ASSEMBLY			
ITEM	PART NO.	QTY	DESCRIPTION
33	3316894	1	MOTOR—HYDRAULIC MAIN BROOM 621C THRU 77
34	3400690	2	FTG-8-10V5OLO-S 45ST THD ELL SL
35	3311022	1	BUSHING—MAIN BROOM PLASTIC
36	3307818	1	SPACER-SHOCK DISK PLTD
37	3311374	4	SCREW-HEX,1/4-14X3/4 SELF TAP
38	675477	1	HOSE BRM MTR B (STR) TO M3 (STR)
39	675476	1	HOSE BRM MTR A (STR) TO M4 (STR)
40	675507	2	FTG-STR THD ELBOW -4 ORFS TO -4 SAE
41	675478	1	HOSE C3 (STR) TO BASE BRM LIFT (STR)
42	675479	1	HOSE C4 (90) TO ROD BRM LIFT (STR)
43	3400392	4	NUT-FLANGE LOCK 3/8-16
45	711544	1	WASHER—LOCK 1/4 SPLIT ZP
46	3318674	1	BEARING—MOUNT L / H
47	3318634	1	ANGLE-MAIN BRM MOUNT R/H ZP
48	3335908	1	RING-NILOS, 2.55"OD, 6207 AV
49	712315	1	WASHER-LOCK 5/8 SPLIT ZP
50	3312279	1	WELDMENT PLT MB MNT

MAIN BROOM ASSEMBLY (AM7D-II)



MAIN BROOM ASSEMBLY			
ITEM	PART NO.	QTY	DESCRIPTION
1	3307181	1	SPACER-MAIN BROOM SW/A PLTD
2	3338129	1	CYLINDER—MAIN BROOM LIFT SW6XV
3	3338192	1	ROD—MAIN BROOM LIFT SW/6XV
4	3301447	1	CLEVIS WITH PIN AND COTTER (INCLUDES #8 AND #9)
5	3400084	1	NUT—WING 1/2-13 ZP
6	3400091	1	WASHER—FENDER 1/2 ZP
7	3300352	1	KNOB—MB LIFT HDJ
8	3400125	1	PIN—COTTER 3/8 RUE RING
9	3400117	1	PIN—CLEVIS 3/8 X 1-1/8
10	713042	9	SCREW—HEX 3/8-16 X 1.00
11	3400385	5	WASHER—CONICAL SPRING 3/8
12	3318675	1	ANGLE-MAIN BROOM MNT L/H ZP
13	3311147P	1	ASSEMBLY—MAIN BROOM IDLER ARM PNTD
14	3318429	1	KNOB—MB IDLER RETAINER
15	3311013	1	WASHER—MAIN BROOM RETAINER PLTD
16	711705	1	RET RING-INT 2.125
17	3309618	1	BEARING—STEERING ARM 205PP
18	3301051	1	HUB—BROOM IDLER PNTD
19	3400098	1	WASHER-LOCK 1/2 SPLIT ZP
20	3400024	1	SCR-HEX,1/2-13X0.75 ZP
21	3311022	1	BUSHING—MAIN BROOM
22	3311161	1	WELDMENT—MAIN BROOM TUBE BRG MNT R / H
23	3338043P	1	WELD—PIVOT TUBE
24	3311425	1	RETAINER-MB LEVER SEAL PLTD
25	3400075	2	NUT-HEX JAM 3/8-24 ZP
26	3400049	3	SCR—SOC 1/4-20 X 0.75 ZP NYLOCK
27	3301285	1	RETAINER—DR HUB PLTD
28	3311424	1	SEAL-MAIN BROOM LEVER
30	711546	4	WASHER—LOCK 3/8 SPLIT ZP
31	3301050-CG	1	HUB—MAIN BROOM DRIVE PNTD

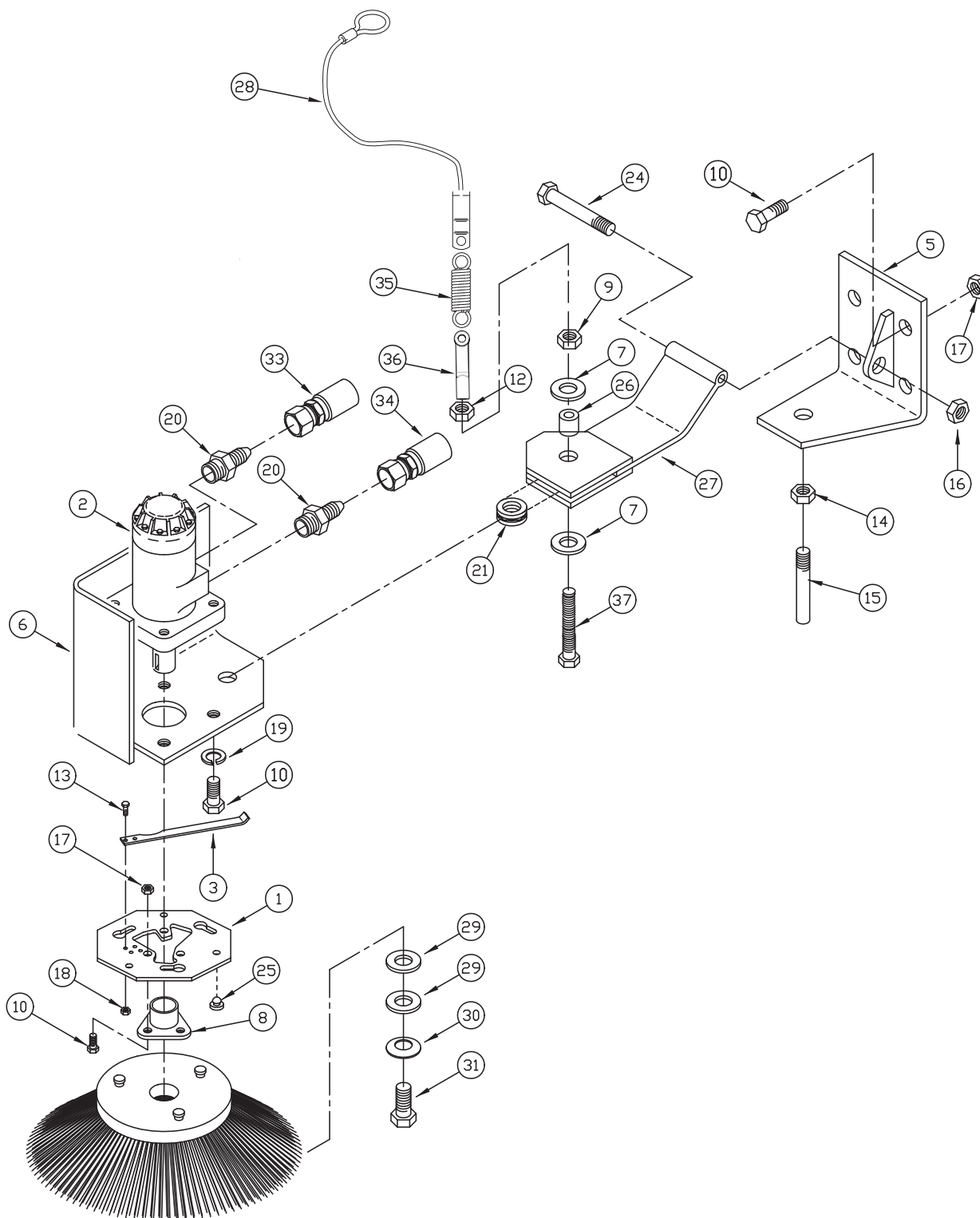
MAIN BROOM ASSEMBLY (CONTINUED)



MAIN BROOM ASSEMBLY			
ITEM	PART NO.	QTY	DESCRIPTION
32	3302082	1	KEY-HYD MOTOR CURB BRM
33	3316894	1	MOTOR—HYDRAULIC MAIN BROOM 621C THRU 77
34	3400690	2	FTG-8-10V5OLO-S 45ST THD ELL SL
35	3311022	1	BUSHING—MAIN BROOM PLASTIC
36	3307818	1	SPACER-SHOCK DISK PLTD
37	3311374	4	SCREW-HEX,1/4-14X3/4 SELF TAP
38	675477	1	HOSE BRM MTR B (STR) TO M3 (STR)
39	675476	1	HOSE BRM MTR A (STR) TO M4 (STR)
40	675507	2	FTG-STR THD ELBOW -4 ORFS TO -4 SAE
41	675478	1	HOSE C3 (STR) TO BASE BRM LIFT (STR)
42	675479	1	HOSE C4 (90) TO ROD BRM LIFT (STR)
43	3400392	4	NUT-FLANGE LOCK 3/8-16
44	3400049	3	SCR—SOC 1/4-20 X 0.75 NYLOCK
45	711544	3	WASHER—LOCK 1/4 SPLIT ZP
46	3318674	1	BEARING—MOUNT L / H
47	3318634	1	ANGLE-MAIN BRM MOUNT R/H ZP
48	3312279	1	WELDMENT PLT MB MNT
49	730528	1	WASHER-FENDER M12 X 37 SS

MAIN AND SIDE BROOMS - AM7D-II			
ITEM	PART NO.	QTY	DESCRIPTION
1	3300302	1	36" (91 CM) PROEX & WIRE (STANDARD)
	3300304	1	36" (91 CM) HIGH DENSITY NYLON, BLACK
	3300314	1	36" (91 CM) NYLON
	3300316	1	36" (91 CM) PATROL (HERRINGBONE)
	3300320	1	36" (91 CM) HIGH DENSITY NATURAL FIBER & WIRE
2	3300306	1	24" (61 CM) SIDE BROOM - POLY (BLACK) (STANDARD)
	3300308	1	24" (61 CM) SIDE BROOM - NYLON (WHITE) (OPTIONAL)

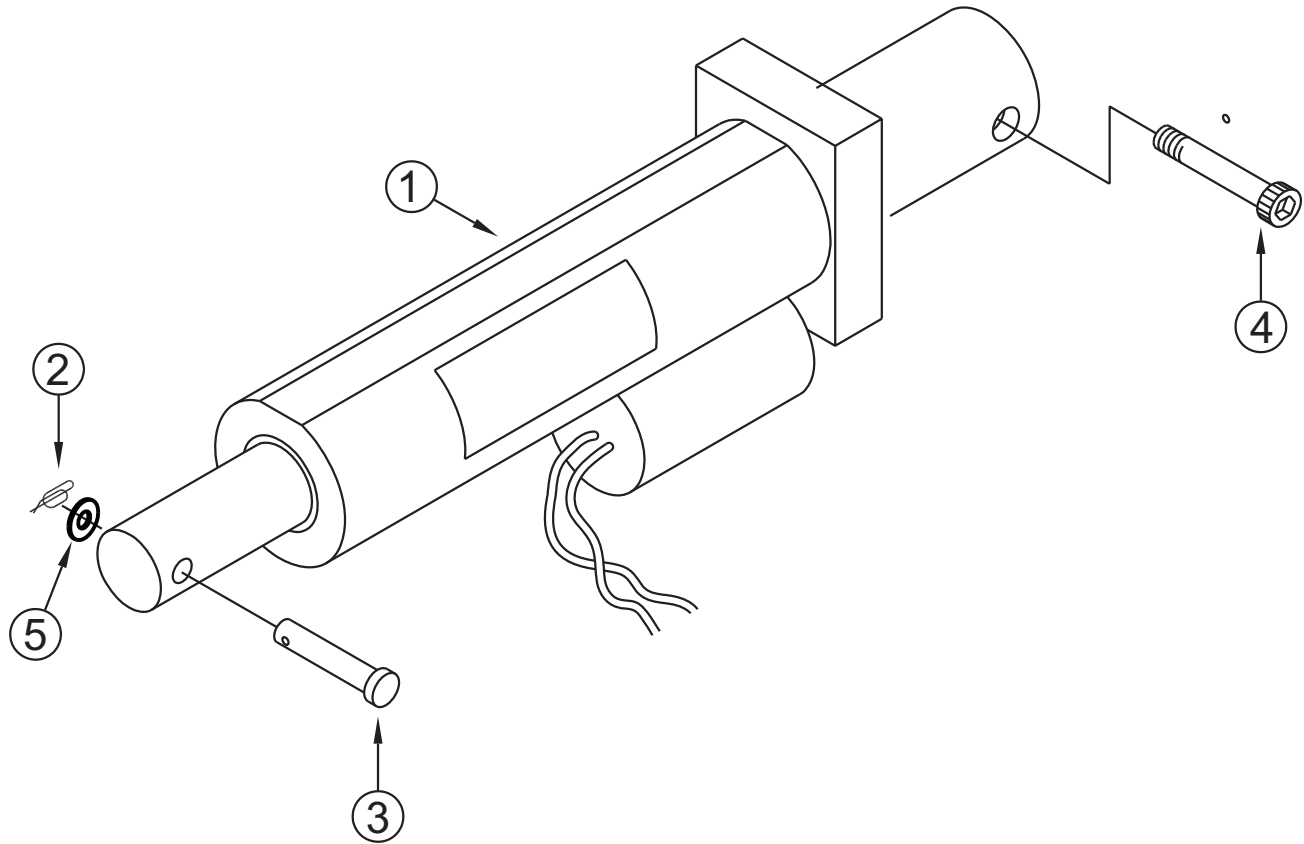
SIDE BROOM ASSEMBLY



REFER TO MAIN
AND SIDE BROOMS

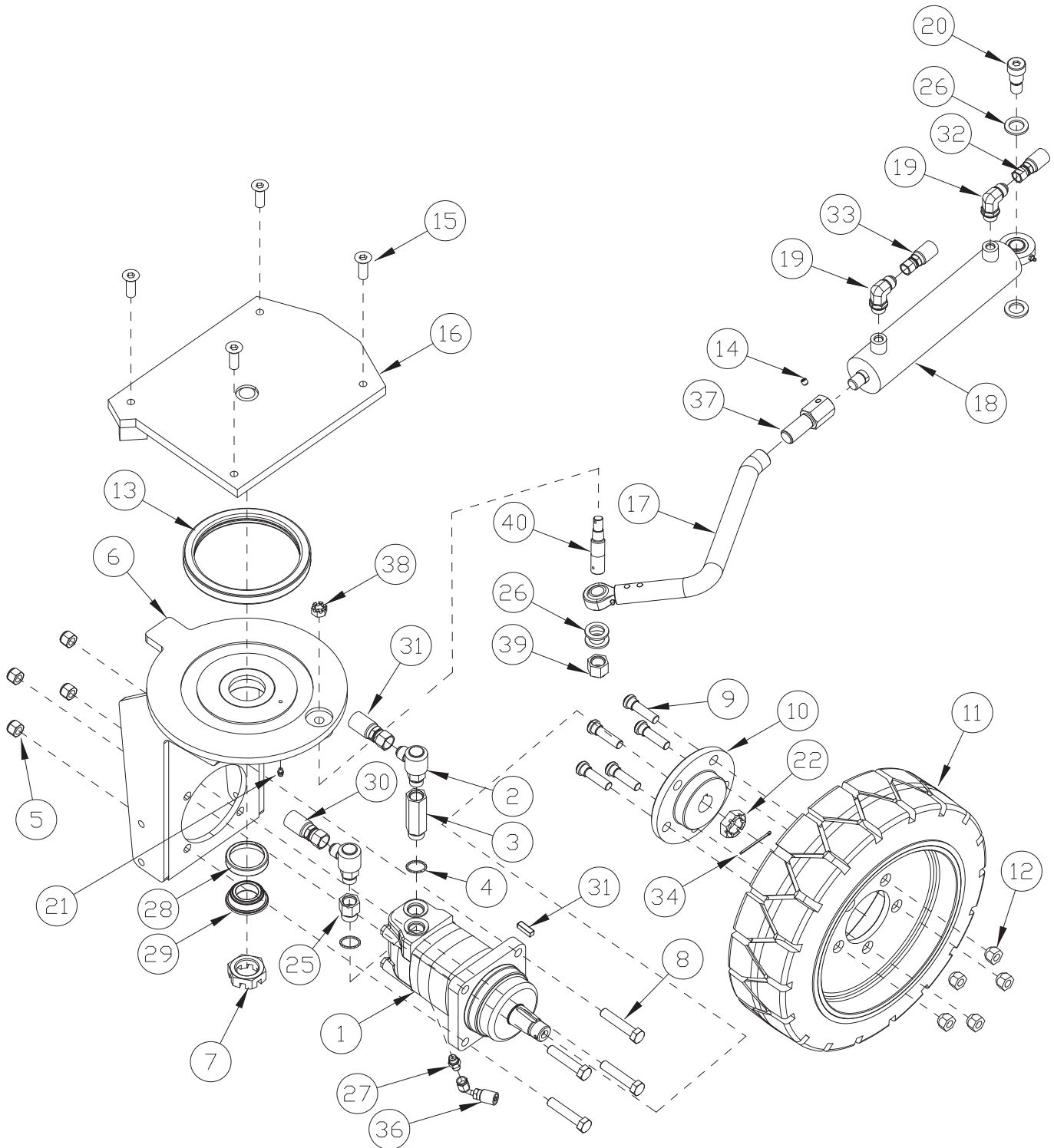
SIDE BROOM ASSEMBLY			
ITEM	PART NO.	QTY	DESCRIPTION
1	3301262	1	PLATE—GIMBAL SCHD
2	3316897	1	MOTOR—HYD CURB BRM
3	3302058	1	BAR-CURB BROOM RETAINER ZP
4	3302082	1	KEY—HEX HYD MOTOR
5	3313202P	1	ASSEMBLY—MOUNT CURB BROOM
6	3313207P	1	MOUNT—CURB BROOM MOTOR
7	711855	2	WASHER-FENDER 3/8 X 1.12 X .10 ZP HARD
8	3343107	1	PLATE GIMBLE 62/72 GAS/DS PCP
9	3400420	1	NUT-HEX 5/16-24 ES
10	713042	3	SCREW—HEX 3/8-16 x 1.0
12	711322	1	NUT—HEX 5/16-24 ZP
13	713002	2	SCREW—HEX 1/4-20 x .75 ZP GR 5
14	3400064	1	NUT-HEX 1/2-20 ZP
15	3400404	1	SCREW-SET,1/2-20X3.00 ZP
16	3400317	1	NUT-JAM 1/2-13 ZP NYLOC
17	711380	7	NUT-NYLOC 3/8-16 ZP
18	711373	2	NUT-NYLOC 1/4-20 ZP
19	711546	4	WASHER—LOCK 3/8
20	3400689	2	FTG-ST THD CON S-L ORFS
21	3400178	2	BRG—THRUST .531ID x 1.00OD
22	713042	4	SCREW—HEX 3/8-16 x 1.0
24	3400018	1	SCREW—HEX 1/2-13 x 4.00 ZP
25	3300526	3	BUMPER-RUBBER 1/4 ID X 1/8 THK
26	3307241	1	SPACER—HAND BRAKE PLTD SW/A
27	3313203P	1	ASSEMBLY—ARM SIDE BROOM
28	661280	1	TORSION CABLE, CURB BROOM - 6X
29	3400278	2	WASHER—FENDER 3/8
30	3400383	1	WASHER—CONICAL SPRING 1/4
31	3400049	1	SCREW—SOC,1/4-20X0.75 ZP NYLOCK
33	675471	1	HOSE M5 (STR) TO SIDE MTR A (STR)
34	675472	1	HOSE M6 (45) TO SIDE MTR B (STR)
35	661126	1	EXTENSION SPRING, CB - 6X
36	3307642	1	CLEVIS-5/16 PLTD SW/A
37	713626	1	SCR-HH 5/16-18 X 2.50 ZP GR 8 FULL THRD
-	3400184	1	PIN-CLEVIS (NOT SHOWN-CONNECTS #28 & #35)
-	3400118	1	PIN-CLEVIS (NOT SHOWN-CONNECTS #35 & #36)

SIDE BROOM ACTUATOR



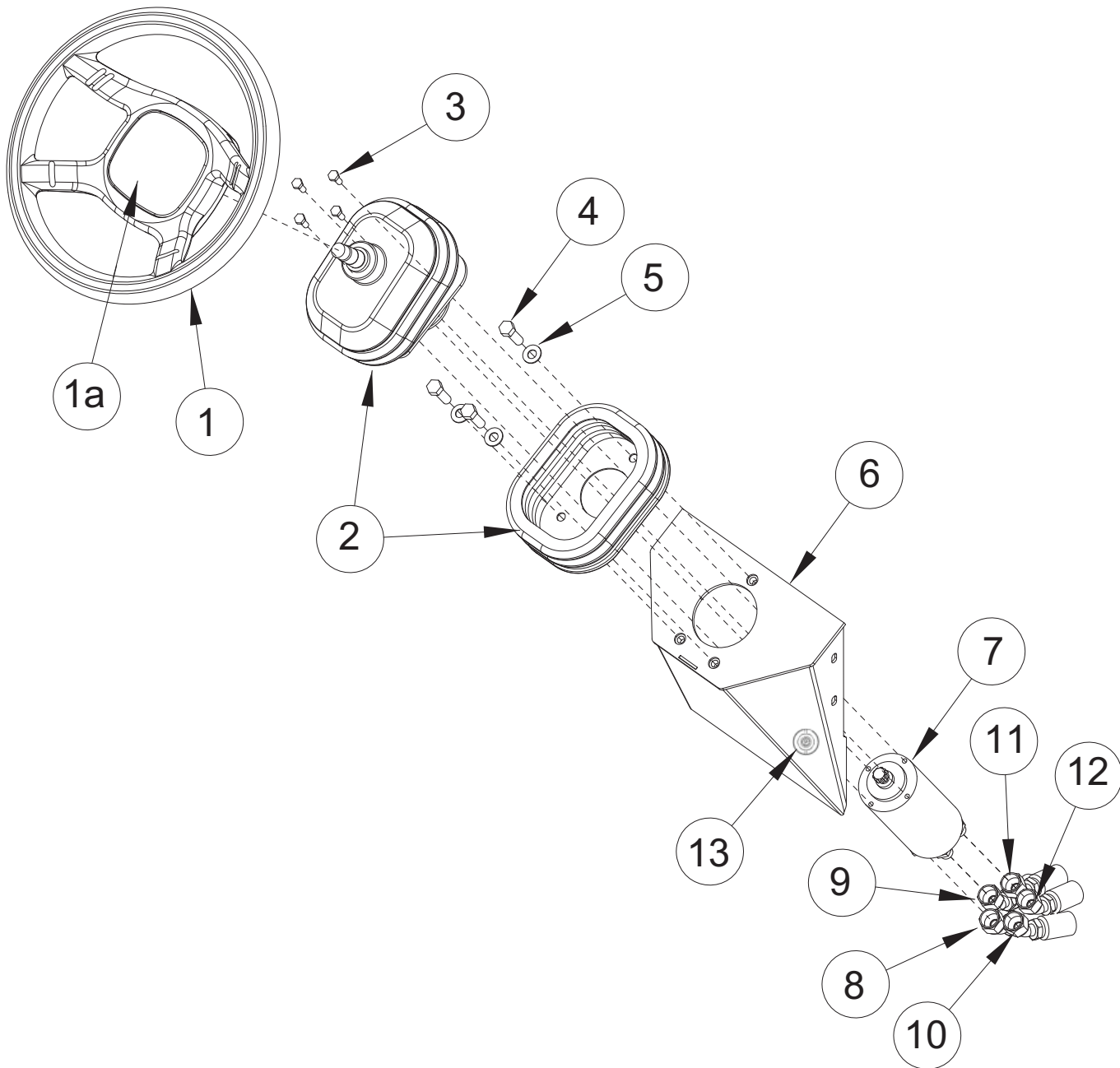
SIDE BROOM ACTUATOR			
ITEM	PART NO.	QTY	DESCRIPTION
-	3318883	1	ASSEMBLY, LINEAR ACTUATOR (REPLACEMENT)
1	748503-1	1	ACTUATOR—CURB BRM 12V 4"STROKE
2	3400125	1	RING-RUE 3/8
3	833833	1	PIN-CLEVIS 5/16X1-1/4 ZP
4	3400726	1	BLT-SHOULDER 3/8 X 1.25 LG X 5/16-18 BLK
5	712301	1	WASHER-FLAT 3/8 ZP

STEERING ASSEMBLY



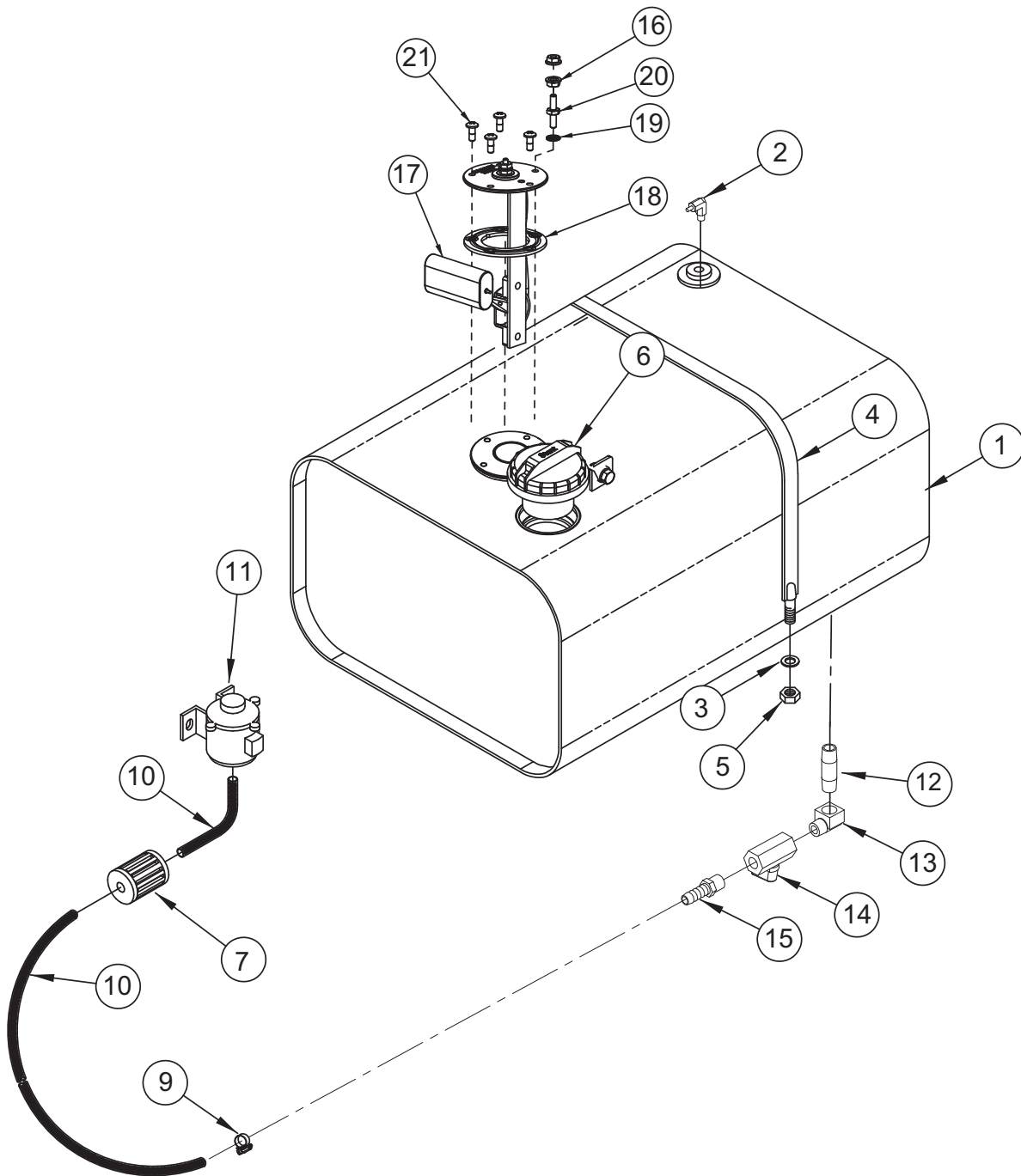
STEERING ASSEMBLY			
ITEM	PART NO.	QTY	DESCRIPTION
1	3301534	1	MOTOR—HYD 2000 SERIES PNTD
2	675563	2	FTG—SWIVEL 3/4-16 TO #8
3	675569	1	FTG—SPECIAL WHEEL MOTOR
5	711376	4	NUT-NYLOC 1/2-13 ZP
6	3338080P	1	WELD—STEERING FORK
7	620066	1	NUT-CASTLE 1 1/4-12 JAM ZP
8	3400019	4	SCR—HEX 1/2-13 X 2.50 ZP
9	3400938	5	STUD-FRONT WHEEL 62/72
10	3338076	1	HUB—REAR WHEEL PNTD MS
11	3318690	1	WHEEL—5 X 10.5 X 16 MOLDED
12	3300411	5	NUT—WHEEL LUG
13	3300472	1	BRG—THRUST 5.812ID X 7.00OD
14	3400826	1	SCR-SET 1/4-28 X .250 BLK OX CP
15	3401022	4	SCREW-FLT, 1/2-13 X 1.00 SOC
16	3330642P	1	FORK MNT 6X PLT
17	661018	1	WD-STEERING LINK ASSY - 6X
18	3318452	1	CYLINDER—STEERING
19	675568	2	FTG-STR THD ELBOW
20	3400214	1	SCR-HH 3/4-10 X 2.75 ZP GR 5 FULL THD TA
21	3400012	2	FTG—GREASE
22	3400223	1	NUT-HEX SLOTTED 1-20
25	3400166	1	FITTING ADAPTER 7/8-14 EXT TO 3/4
26	712318	3	WASHER-FLAT 3/4 X 1.12 X .12 ZP
27	675507	1	FTG-STR THD ELBOW -4 ORFS TO -4 SAE
28	3300470	1	BEARING-TAPERED ROL CUP
29	3300471	1	BEARING-TAPERED ROLCONE W/SEAL
30	675489	2	HOSE PROP PUMP A TO PROP MTR A
31	675490	1	HOSE PROP PUMP B TO PROP MTR B
32	675482	1	HOSE TOP BLK (90) TO BASE STR (STR)
33	675481	1	HOSE BTM BLK (90) TO ROD STR (STR)
34	3400122	2	PIN-COTTER 1/8 X 2.00 ZP
36	675488	1	HOSE C7 (90) TO PROP DRN (STR)
37	661283	1	ADAPTER, STEERING ADJUSTMENT
38	710997	1	NUT-CASTLE 1/2-20 ZP GR 5
39	710996	1	NUT-HEX 3/4-16 ZP GR 5
40	661019	1	TAPER PIN, STEERING - 6X

TILT STEERING ASSEMBLY

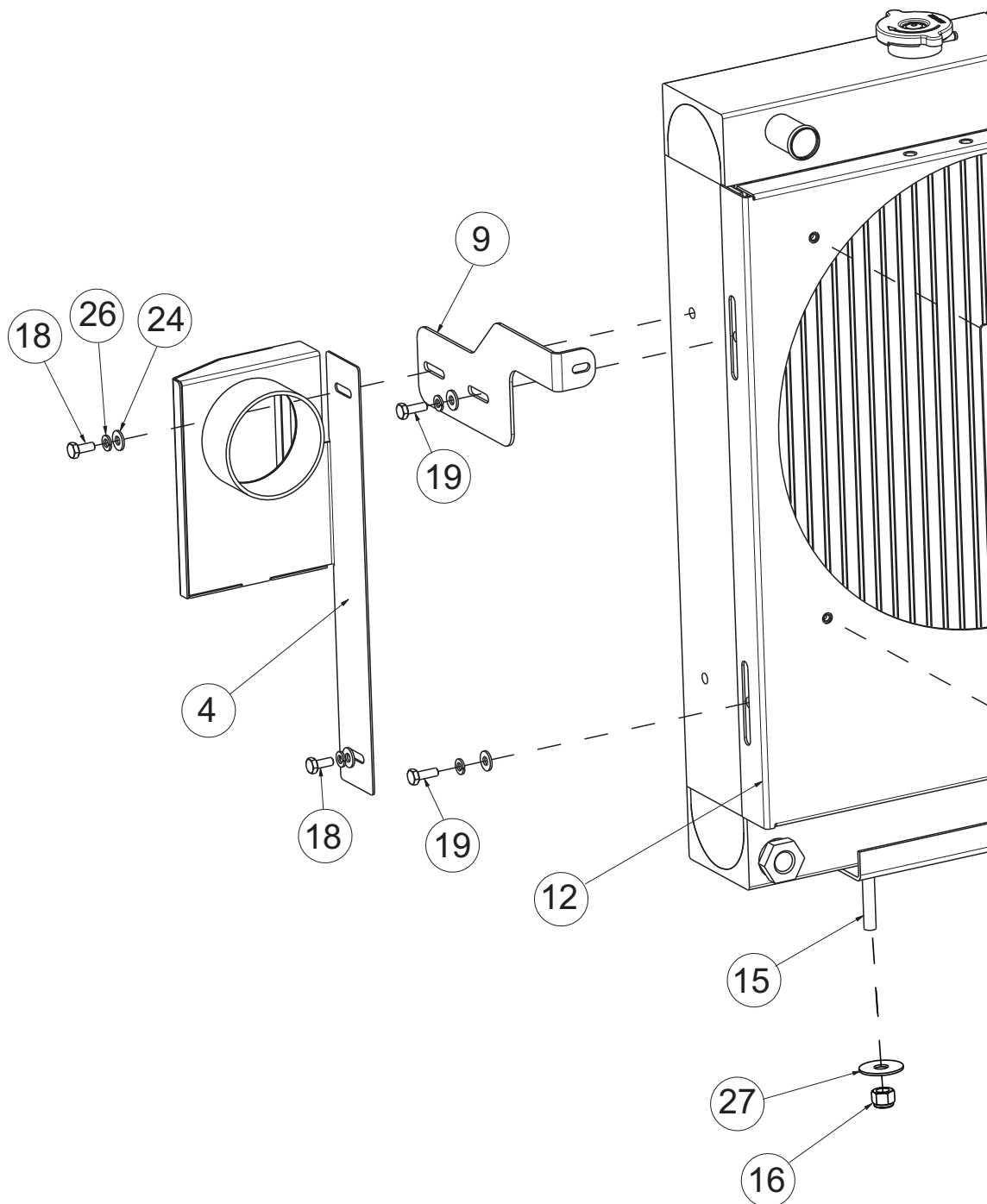


TILT STEERING ASSEMBLY			
ITEM	PART NO.	QTY	DESCRIPTION
1	610000	1	STEERING WHEEL
1a	610001	1	STEERING WHEEL COVER
1b	610003	1	STEERING WHEEL KNOB
2	3343165	1	COLUMN-STEERING TILT
3	711206	4	SCR-HH 1/4-20 X .87 ZP GR 5
4	713043	3	SCR-HH 3/8-16 X 1.25 ZP GR 5
5	3400383	3	WASHER-CONICAL SPRING 1/4
6	3338235P	1	WELD - TILT STEERING CONSOLE
7	3330598	1	STEERING UNIT-OSPM 100PB
8	675473	1	HOSE STR L (45) TO TOP BLK (STR)
9	675474	1	HOSE STR R (45) TO BTM BLK (STR)
10	675475	1	HOSE STR P (45) TO ST (STR)
11	675486	1	HOSE HOP OUT (STR) TO STR T (45)
12	675487	1	HOSE HOP IN (STR) TO STR PB (45)
13	749072	1	SWITCH-IGNITION W/HARNESS

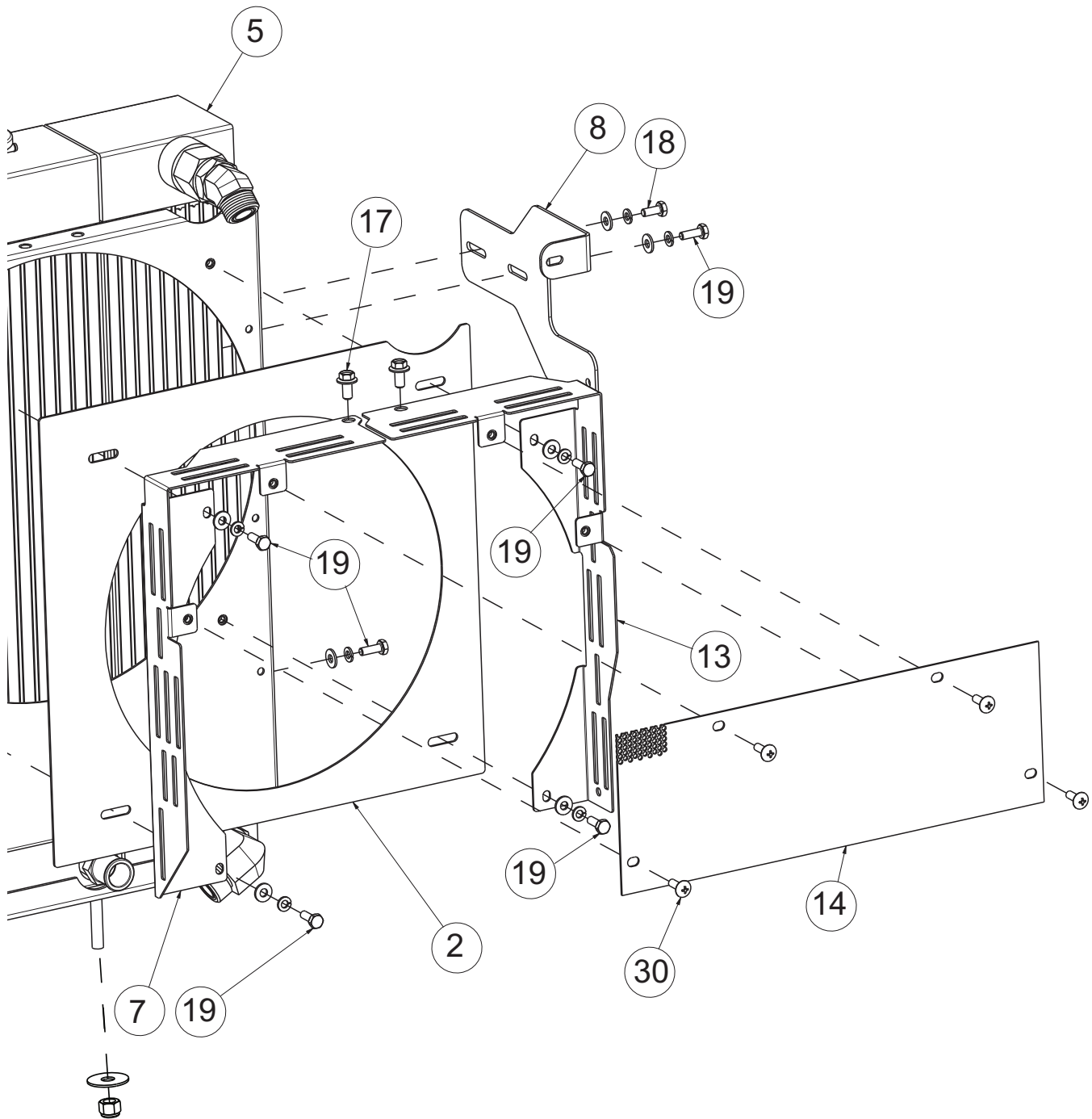
FUEL TANK - GAS AND DIESEL

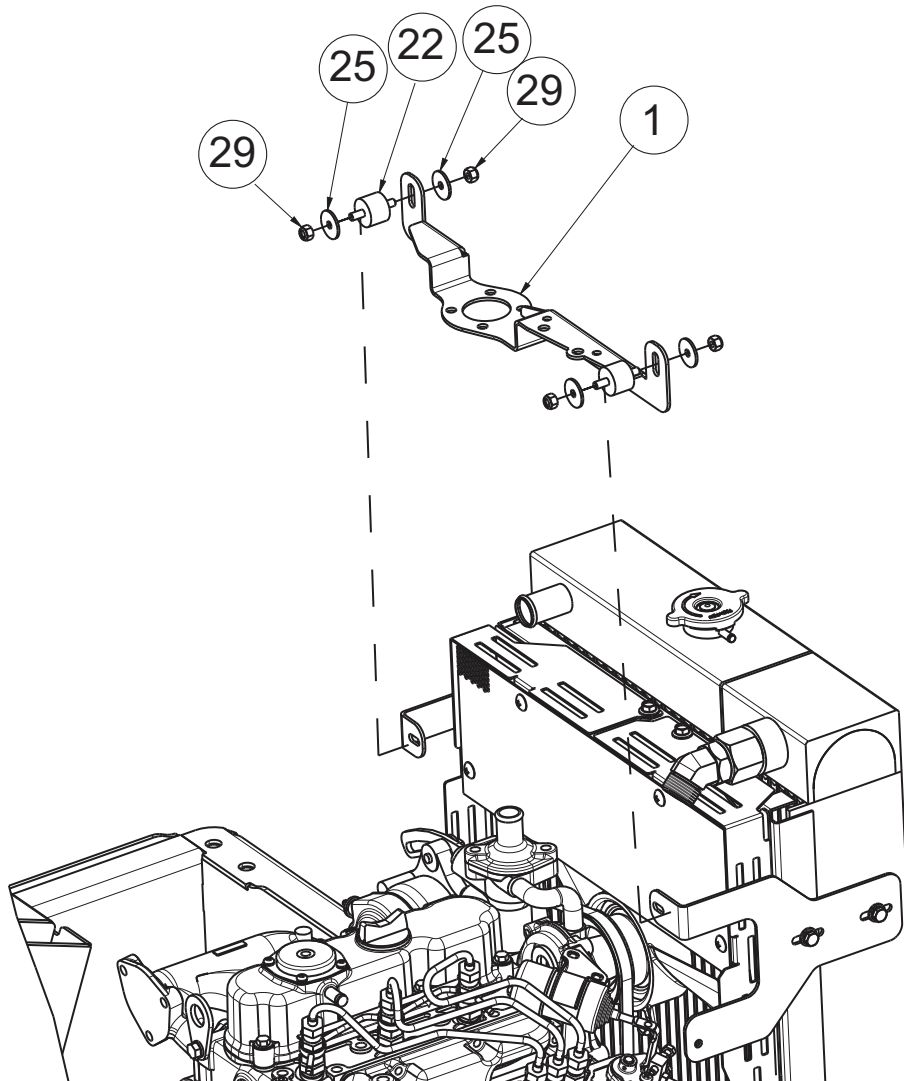


FUEL TANK - GAS AND DIESEL			
ITEM	PART NO.	QTY	DESCRIPTION
1	3337858	1	FUEL TANK
2	3307778	1	FTG-ELBOW 90 1/4 MPT X 1/8 HB BRASS
3	712301	2	WASHER-FLAT 3/8 STANDARD ZP
4	3318401	1	STRAP—FUEL TANK
5	711380	2	NUT-NYLOC 3/8-16 ZP
6	3343413	1	CAP FUEL CAP
7	3309249	1	FILTER—FUEL (DSL)
	3306606		FILTER—FUEL (GAS)
9	3302338		CLAMP-HOSE .22 TO .62
10	3500104	FT.	HOSE-NEOPRENE 5/16 ID
11	3335871	1	PUMP—FUEL (DSL)
	3337634		PUMP—FUEL (GAS)
12	3400498	1	FTG-NIPPLE 1/4 NPT X 2.00 LG BRASS
13	831306	1	FITTING, 1/4 NPT STREET ELBOW, BRASS
14	3400499	1	VALVE-MINATURE 1/4 FPT BALL
15	620052	1	FTG-ADAPTER 1/4 NPT X 5/16 HB
16	711427	2	NUT-FLANGED WIZZ 10-32 ZP
17	690897-13	1	SENDER-FUEL SHORT (5 INCH)
18	811023	1	GASKET, SENDER
19	3337019	1	SEAL - #10 BONDED NITRILE WASHER
20	3401579	1	SCR - HEX STANDOFF, 2X 10-32X.50 LG
21	3401636	4	SCR-PHMS 10-32 X .50 SS W/O-RING

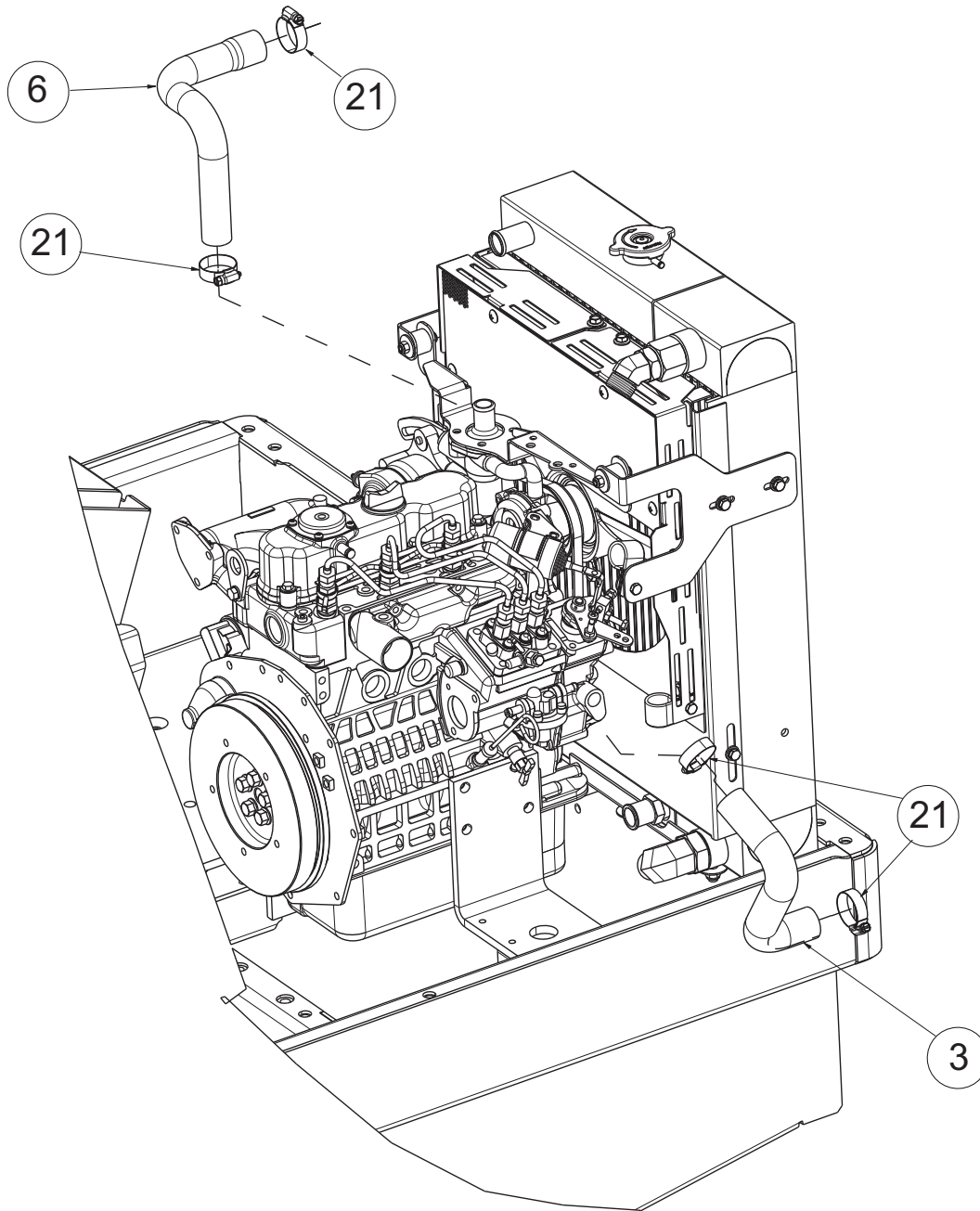


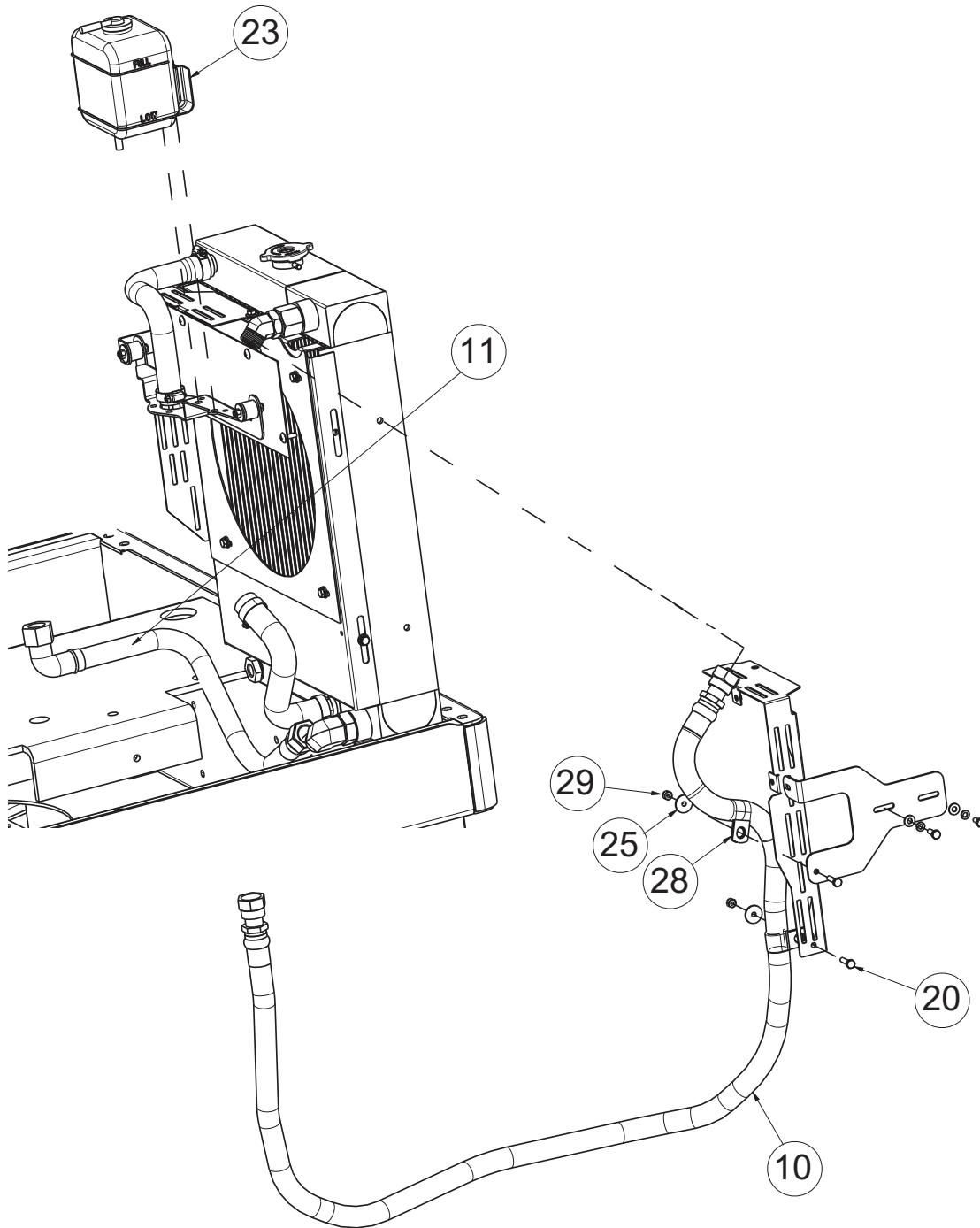
RADIATOR COMPONENTS - 661141/DSL - 661187/LP_GAS - PAGE 2 OF 5





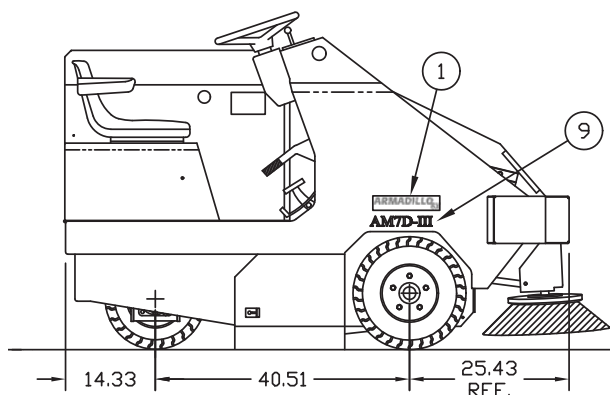
RADIATOR COMPONENTS - 661141/DSL - 661187/LP_GAS - PAGE 4 OF 5



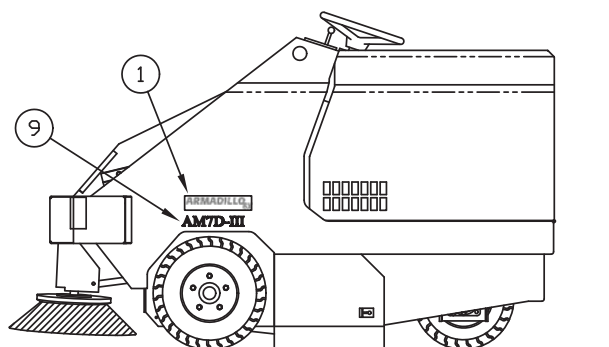


BILL OF MATERIAL			
ITEM	PART NO.	QTY	DESCRIPTION
1	661133	1	BRKT, RADIATOR, UPPER, DSL
	661186		BRKT, RADIATOR, UPPER, LP/GAS
2	661134	1	RAD SHROUD FILLER PLATE - 6X
3	661135	1	RAD HOSE, LOWER, 6X, DSL
	3340326		RAD HOSE, LOWER, 6X, LP/GAS
4	661140	1	WD-DIVERTER, IMPELLER EXHAUST
5	661149	1	ASSY, RADIATOR W/FTGS - 6X
6	661185	1	HOSE, UPPER RADIATOR, LP/GAS - 6X
7	661367	1	BRKT ASSY, FAN SHROUD LH (6X)
8	661369	1	BRKT, RADIATOR & OIL COOLER HOSE SUPPORT
9	661370	1	BRKT, RADIATOR SUPPORT
10	675625	1	HOSE, OIL COOLER, UPPER - 6X
11	675626	1	HOSE, OIL COOLER, LOWER - 6X
12	690150	1	ASSY, FAN SHROUD, DSL/LP/GAS
13	690828	1	BRKT ASSY, FAN SHROUD RH
14	690829	1	BRKT, FAN SHROUD PERFORATED
15	711254-1	2	BLT-CARR 3/8-16 X 2.50 ZP GR 5
16	711380	2	NUT-NYLOC 3/8-16 ZP
17	712042	2	SCR-HH 5/16-18 X.62 ZP GR 5 FLANGE
18	713001	3	SCR-HH 1/4-20 X .62 GR 5 ZP
19	713002	8	SCR-HH 1/4-20 X .75 ZP 5
20	713003	2	SCR-HH 1/4-20 X 1.00 ZP GR 5
21	3302193	4	CLAMP - SCREW .69" TO 1.5" DIA 201SS
22	3344112	2	ISO-CYL, 1 DIA X 3/4 X 1/4-20,50LBS
23	3344101		RESERVOIR 5.5" X 3.5" X 5.5" KBA
24	711505	11	WASHER-FLAT 1/4 ZP
25	711519	6	WASHER-FENDER 1/4 X 1.00 ZP
26	711544	11	WASHER-LOCK 1/4 SPLIT ZP
27	3400278	2	WASHER-FENDER 3/8 X 1.25 ZP
28	3400999	2	CLAMP - WIRE & TUBE 1.125 DIA STEEL
29	711387	6	NUT-JAM 1/4-20 ZP NYLOC
30	3401460	4	SCR-THMS 1/4-20 X .75 PHIL 18-8 SS

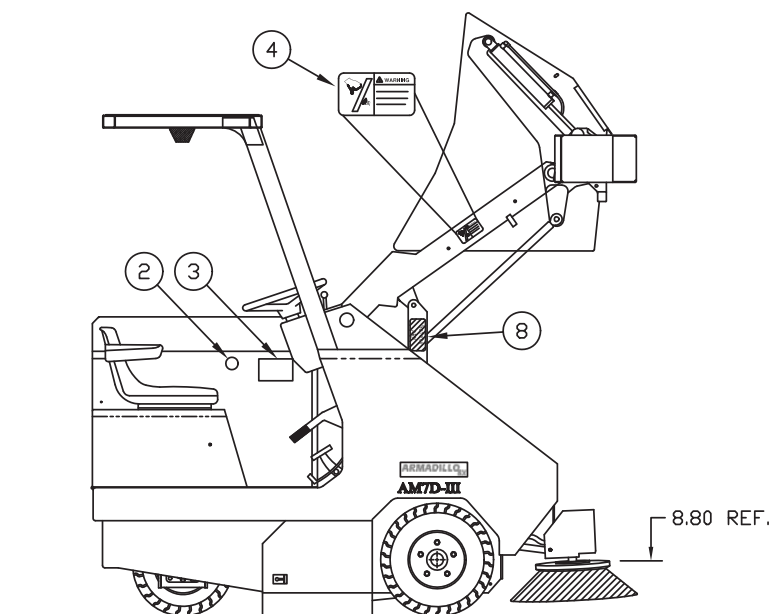
DECAL LAYOUT



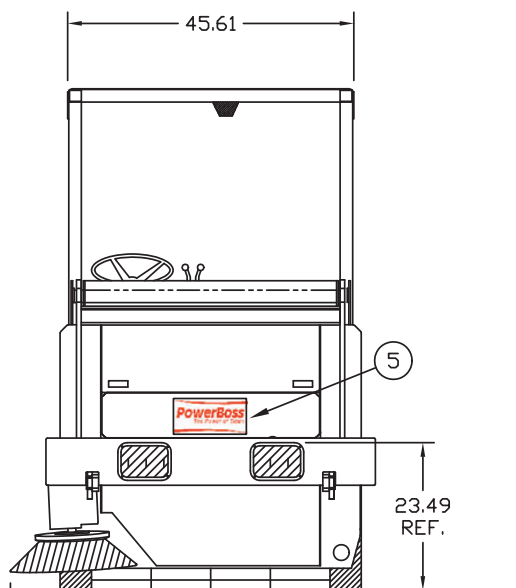
Right-Hand View



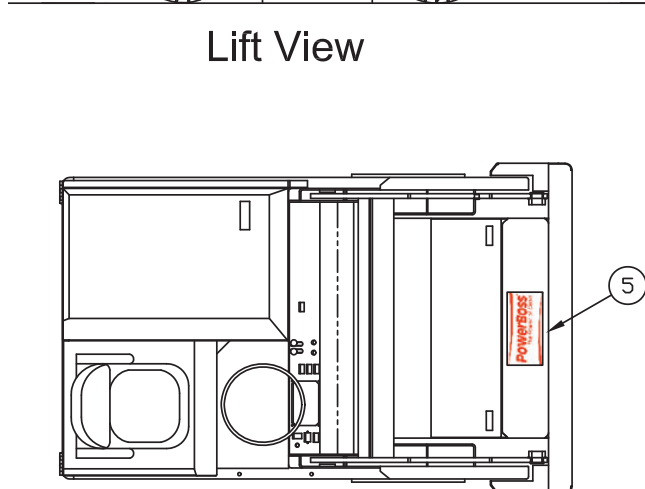
Left-Hand View



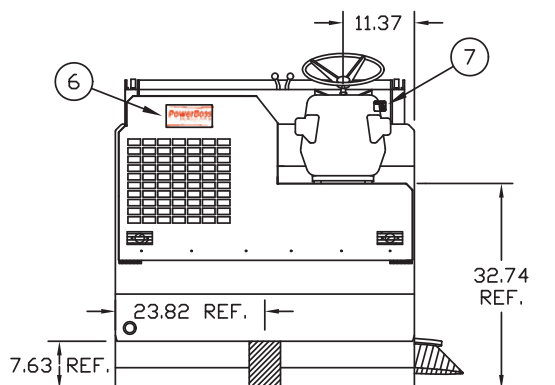
Lift View



Front View



Top View



Rear View

DECAL LAYOUT			
ITEM	PART NO.	QTY	DESCRIPTION
1	715027	2	DECAL-ARMADILLO 6X (ARMADILLO 6X ONLY)
2	3334827	1	DECAL-MADE IN USA, 1.75 DIA (ARMADILLO 6X ONLY)
3	3301854	1	DECAL-CAUTION, 5X4.50"
4	3301732	1	DECAL—WARNING HOPPER ARMS
5	651001		DECAL-LARGE MACHINE POWERBOSS,
6	651002	1	DECAL-MEDIUM MACHINE POWERBOSS,
7	3307599	1	DECAL-IGNITION SW/A
8	3333298	1	DECAL-SAFETY ARM
9	715424	2	DECAL - AM7D-III (AM7D-III ONLY)
*	3301733	2	DECAL-WARNING FAN (RAD SHROUD) (NOT SHOWN)
*	3301729	1	DECAL-WARNING FAN INLET (IMP) (NOT SHOWN)

WEARABLE COMPONENTS DSL

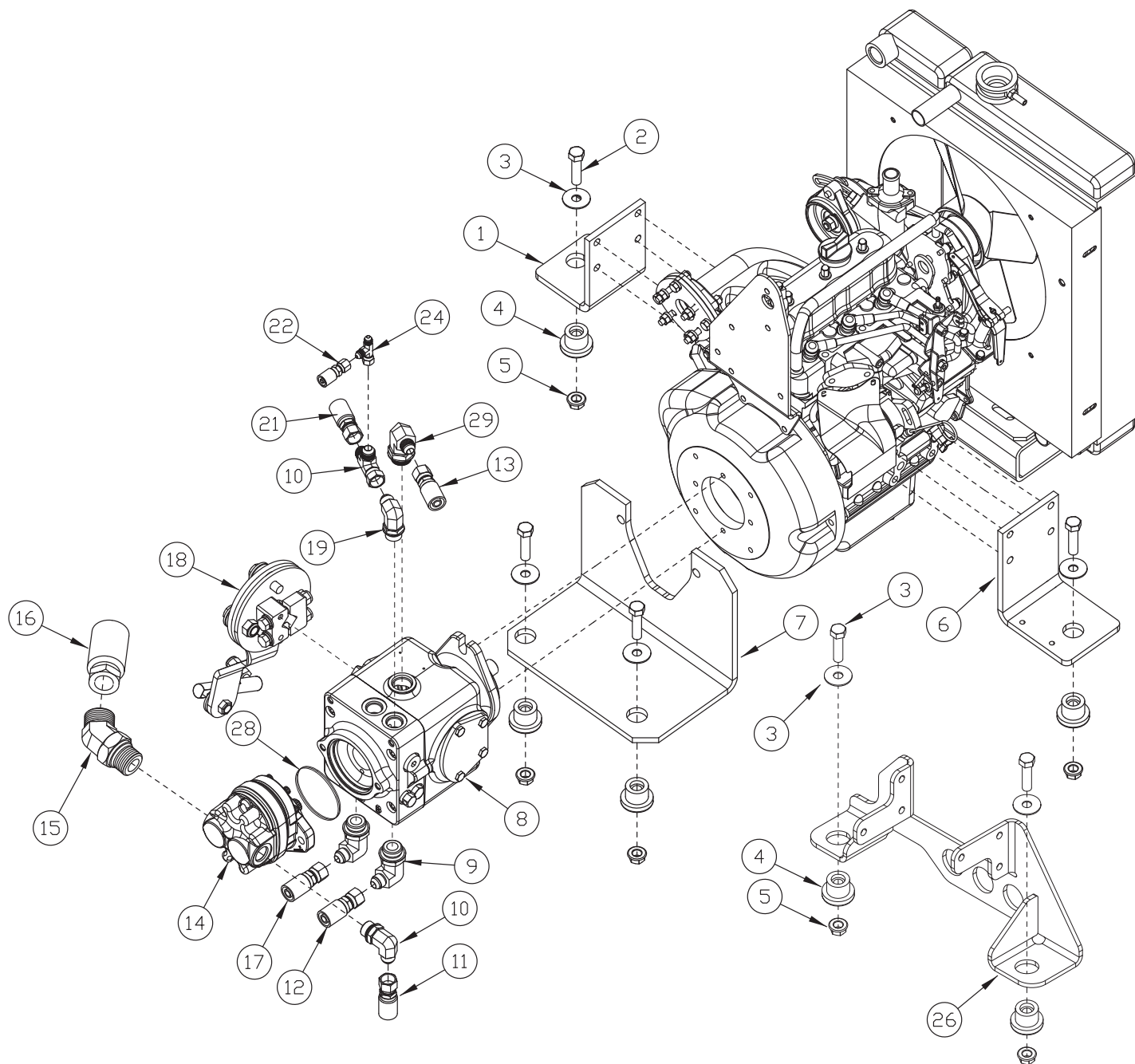
WEARABLE COMPONENTS DSL	
PART NO.	DESCRIPTION
3335848	AIR CLEANER ASSY-902/905 (DSL)
3330677	ELEMENT AIR CLEANER-OUTER
3318745	AIR FILTER ASSEMBLY
3330678	AIR FILTER (SECONDARY)
3333388	FILTER-OIL D902
3335873	FUEL FILTER- SCREW ON.(D722/902)
3300417	FUEL FILTER-902/905 @ TANK
3337647	FAN BLADE-902/905
3350446	THERMOSTAT
3336918	GASKET- THERMOSTAT

WEARABLE COMPONENTS LPG & GAS

WEARABLE COMPONENTS LPG & GAS	
PART NO.	DESCRIPTION
3306629	AIR CLEANER ASSY LP/GAS DF752 ONLY (PLASTIC UNIT)
3331005	AIR FILTER (PRIMARY)
3330678	AIR FILTER (SECONDARY)
3306604	ELEMENT
3318742	COIL WIRE
3318746	IGNITION COIL (PBK12581-68901)
3306610	SPARK PLUG
3306789	DIST. CAP
3309356	ROTOR
3306599	THERMOSTAT
3306601	THERMOSTAT GASKET
3318745	ENGINE COOLING FAN

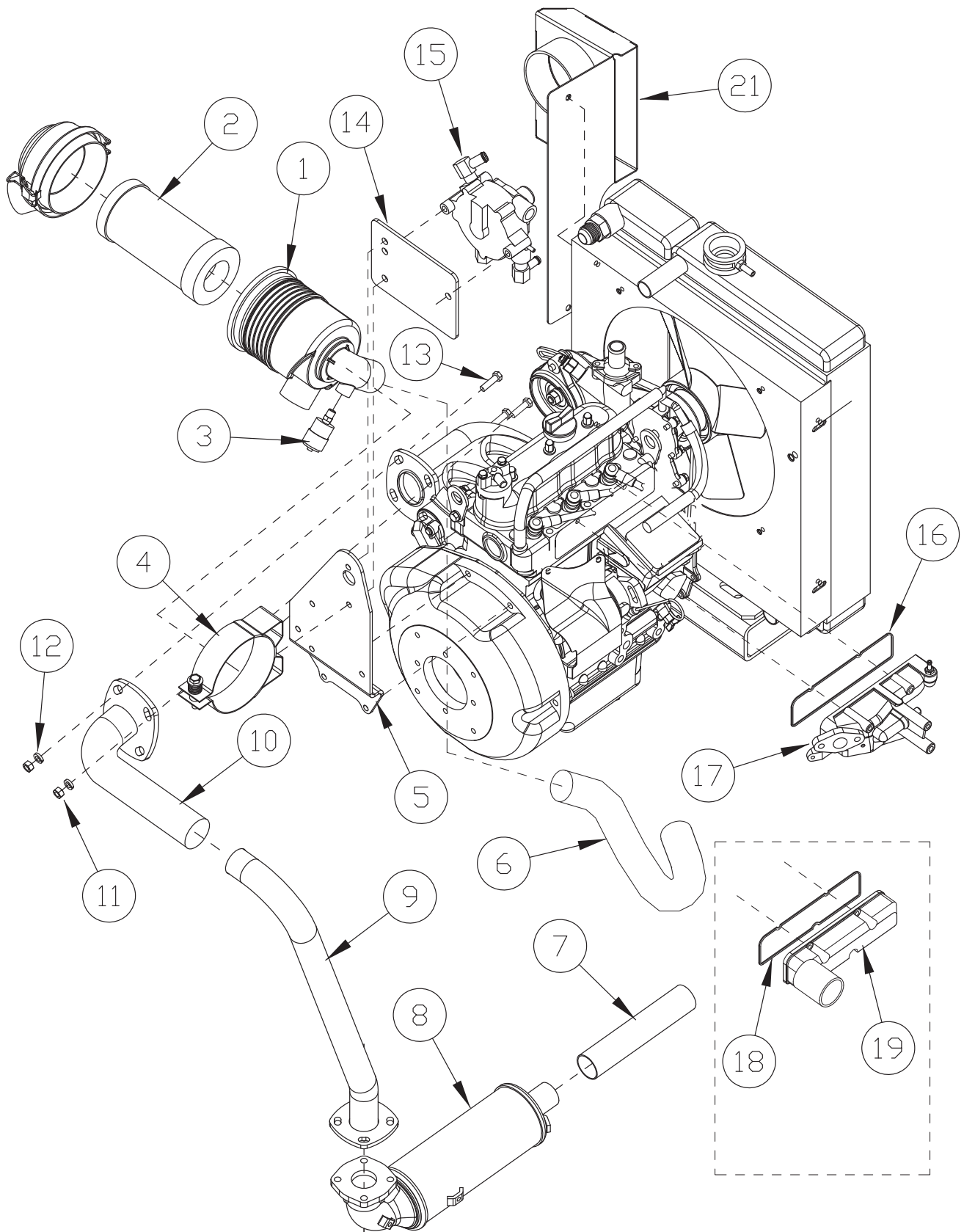
ENGINE PARTS BREAKDOWN

ENGINE KUBOTA D902 DIESEL & DF752 LP/GAS - MOUNTING AND PUMPS



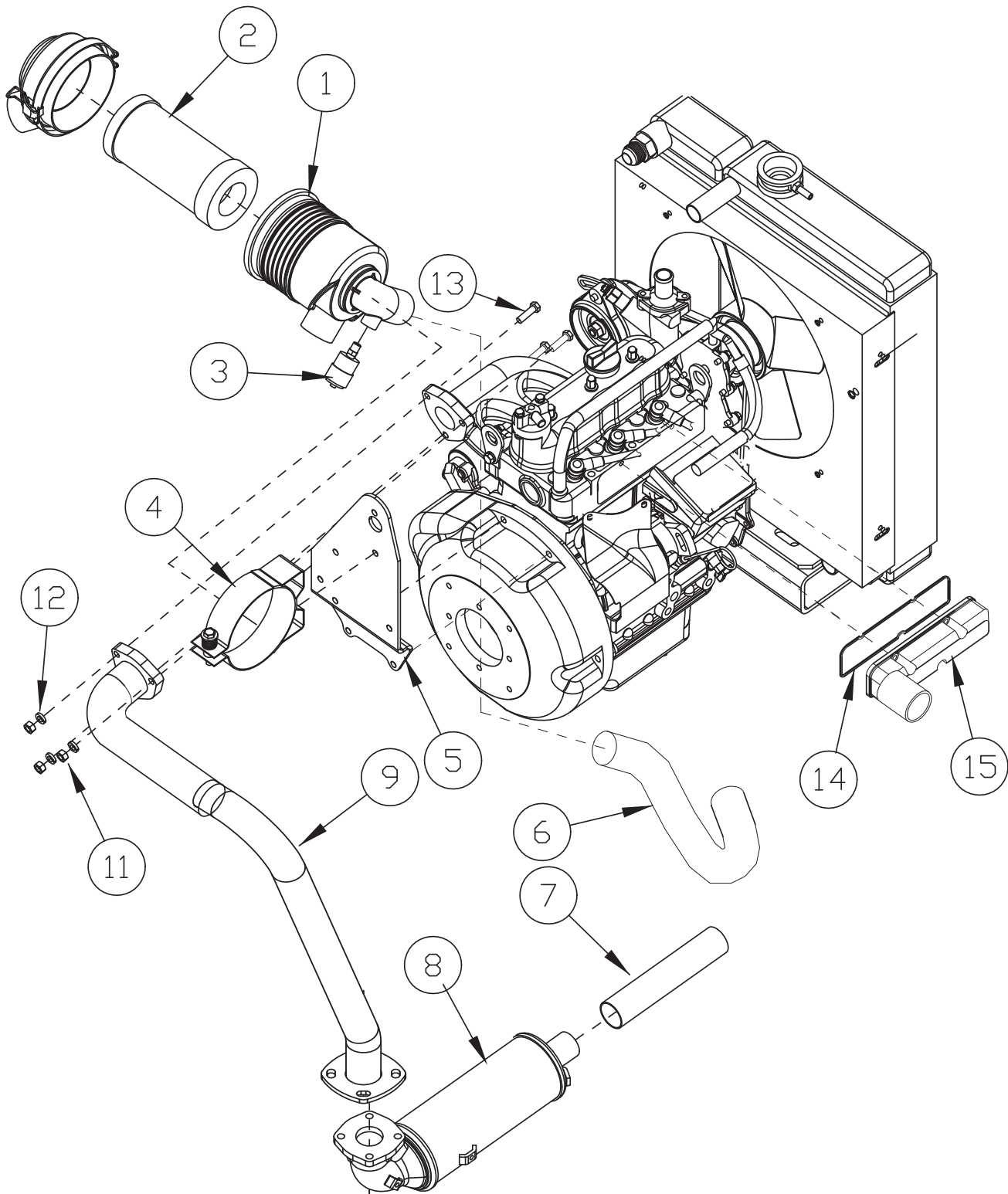
ENGINE KUBOTA D902 DIESEL & DF752 LP/GAS - MOUNTING AND PUMPS			
ITEM	PART NO.	QTY	DESCRIPTION
1	3335672	1	MNT-RIGHT REAR (DIESEL KUBOTA D902 ONLY)
2	3400020	4	SCREW-HEX, 1/2-13X2.00 ZP
3	3400091	4	WASHER-FENDER 1/2 ZP
4	3300464	4	ISOLATOR-RUBBER, 1.24 DIAX1.25 LG
5	3400395	4	NUT-FLANGE LOCK 1/2-13
6	3335673	1	MNT-LEFT REAR (DIESEL KUBOTA D902 ONLY)
7	3336022	1	MNT-FRONT (DIESEL KUBOTA D902 ONLY)
	3338242	1	MNT-ENGINE (LP/GAS KUBOTA DF752 ONLY)
8	3336023	1	PUMP-MAIN HYDRAULIC (6X)
9	675500	3	FTG-STR ELBOW -10 ORFS TO -12 SAE
10	675528	2	FTG-STR THD ELBOW -8 ORFS TO -10 SAE
11	675466	1	HOSE HYD PUMP (45) TO P2 (STR)
12	675489	2	HOSE PROP PUMP A TO PROP MTR A
13	675469	1	HOSE PROP PUMP (STR) TO C8 (90)
14	3338093	1	GEAR PUMP-SW/6XV
15	675585	1	FTG-ORFS 45 ELBOW -16 -16 SAE
16	675460	1	HOSE RES (STR) TO HYD (45) PUMP
17	675490	1	HOSE PROP PUMP B TO PROP MTR B
18	661179	1	DIRECTIONAL ARM 6X, ASSEMBLY
19	675573	1	FITTING
20	675574	1	FTG-TEE SWIVEL 1/2 TUBE
21	675468	1	HOSE PROP PUMP B TO PROP MTR B
22	675470	1	HOSE PROP PUMP B TO PROP MTR B
24	675525	1	FTG-ORFS TEE -8 -8 -8 SAE
26	661080	1	HOSE PROP PUMP B TO PROP MTR B
28	3336696	1	O-RING SEAL, NITRILE 3.25 ID
29	675537	1	FTG-ORFS 90 ELBOW -8 -12 SAE

ENGINE KUBOTA DF752 LP/GAS - AIR CLEANER & EXHAUST



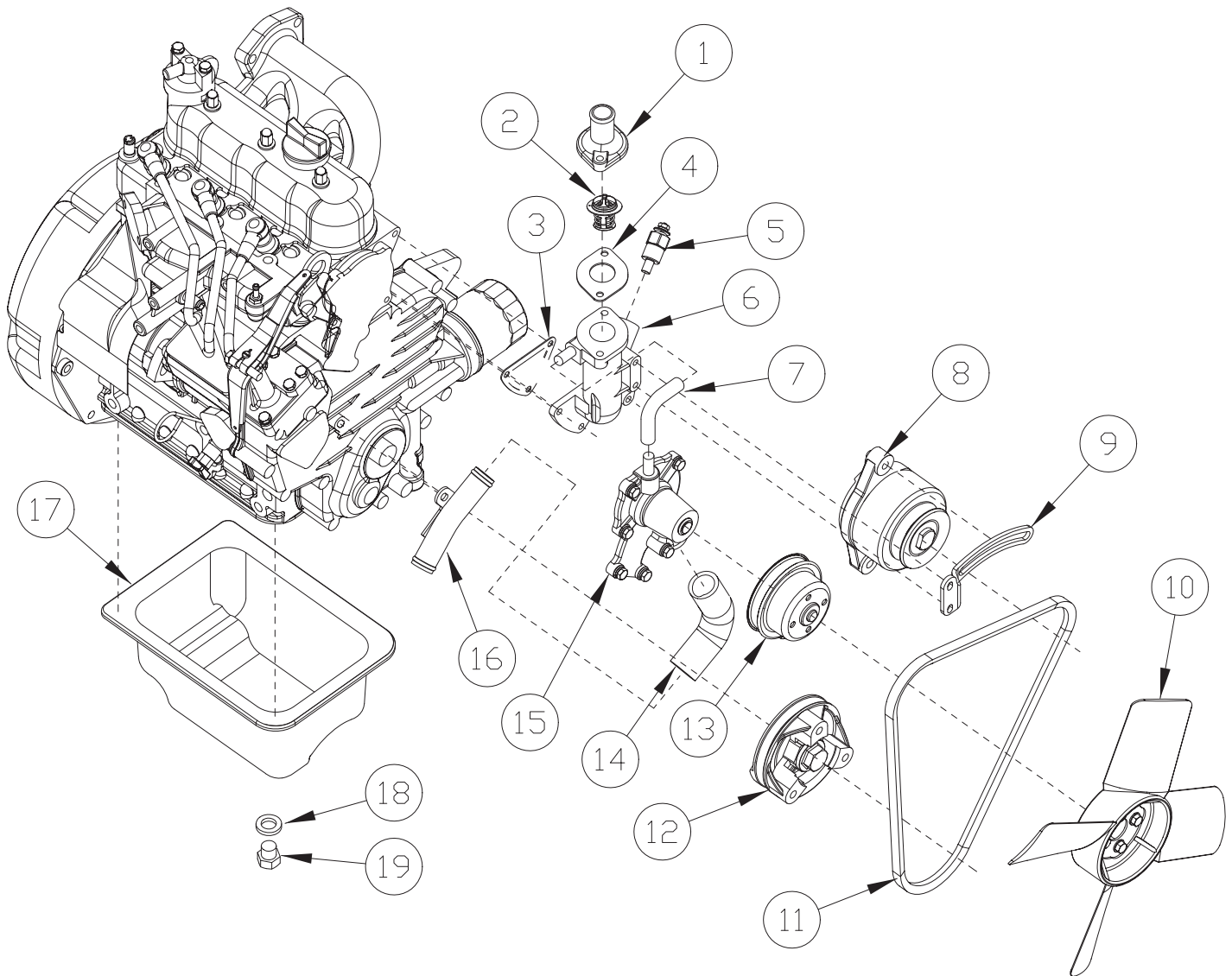
ENGINE KUBOTA DF752 LP/GAS - AIR CLEANER & EXHAUST			
ITEM	PART NO.	QTY	DESCRIPTION
1	3331005	1	AIR CLEANER ASSEMBLY
2	3330677	1	ELEMENT PRIMARY
3	3303991	1	INDICATOR-AIR CLEANER RESTRICT
4	3337798	1	AIR CLEANER BAND KUBOTA DF752-D902
5	3337799	1	AIR CLEANER MOUNT KUBOTA DF752-D902
6	3337806	1	HOSE-AIR
7	3315317	1	PIPE-EXTENSION SW/62 GAS/DSL
8	3335866	1	MUFFLER KUBOTA DF752-D902
9	3338243	1	WDT-EXHAUST PIPE - 6XV TIER III
11	711379	4	NUT-FLANGED WIZZ 5/16-18 ZP
12	3400384	4	WASHER-CONICAL SPRING 5/16
13	3400034	4	SCREW-HEX,5/16-18X1.25 ZP (GAS/LP MODELS)
14	3337801	1	BRACKET FUEL VAPORIZER (LP KUBOTA DF752 ONLY)
15	3335717	1	VAPORIZER (LP KUBOTA DF752 ONLY) FUEL VAPORIZER (LP/GAS KUBOTA DF752 ONLY)
16	3337635	1	GASKET-INTAKE MANIFOLD KUBOTA DF752 (PRIOR TO ENGINE SN 2S7883)
	3337637	1	GASKET-INTAKE MANIFOLD KUBOTA DF752 (AFTER TO ENGINE SN 2U0001)
17	3337636	1	INTAKE MANIFOLD KUBOTA DF752 (PRIOR TO ENGINE SN 2S7883)
	3337638	1	INTAKE MANIFOLD KUBOTA DF752 (AFTER TO ENGINE SN 2U0001)
18	3338715	1	CATALYTIC CONVERTER DF752 (NOT SHOWN)

ENGINE KUBOTA D902 DIESEL - AIR CLEANER & EXHAUST



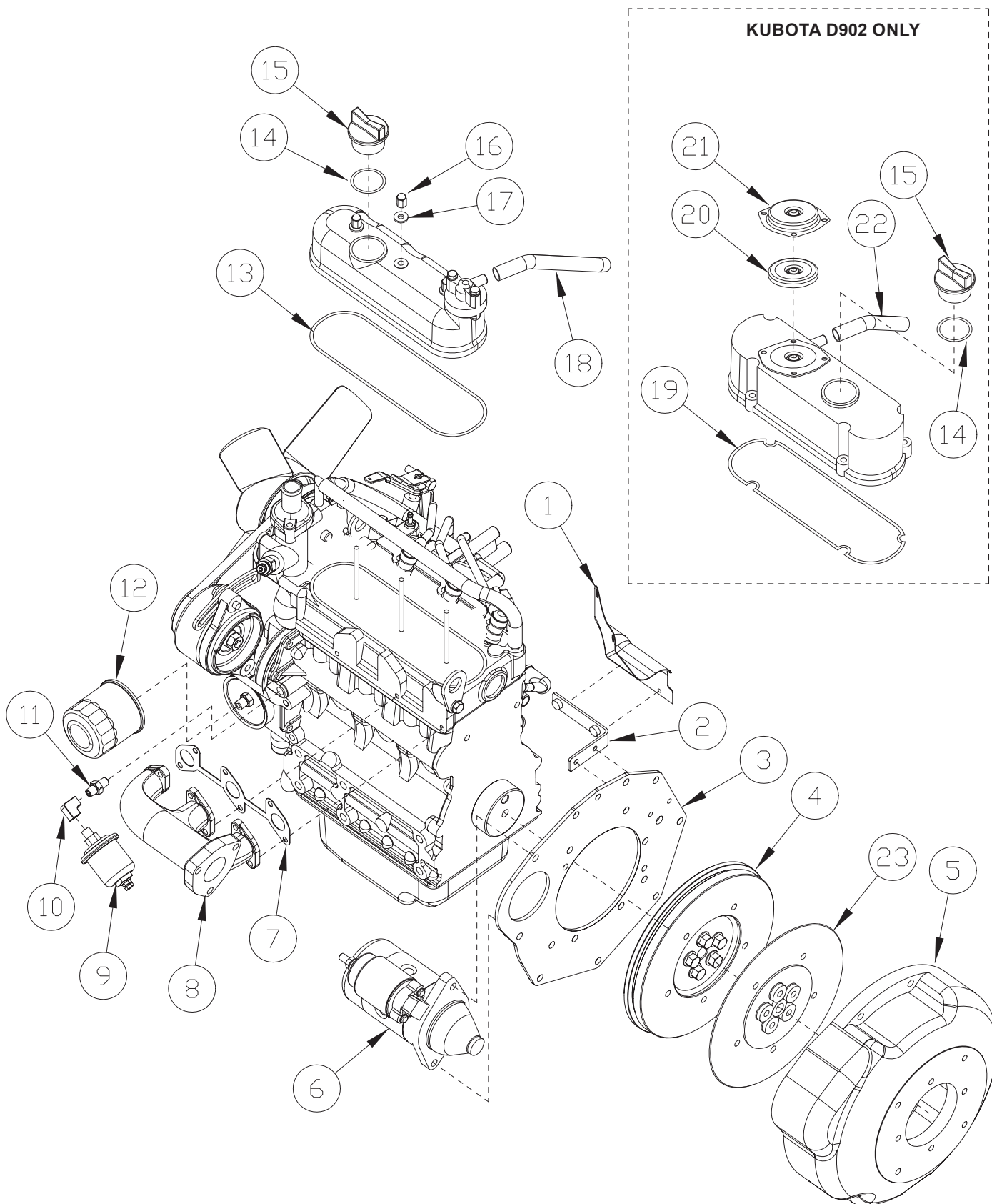
ENGINE KUBOTA D902 DIESEL - AIR CLEANER & EXHAUST			
ITEM	PART NO.	QTY	DESCRIPTION
1	3333737	1	AIR CLEANER ASSY
2	3322572	1	ELEMENT PRIMARY
3	3335864	1	INDICATOR-AIR CLEANER RESTRICT
4	3337798	1	AIR CLEANER BAND KUBOTA DF752-D902
5	3337799	1	AIR CLEANER MOUNT KUBOTA DF752-D902
6	3337807	1	HOSE-AIR
7	3315317	1	PIPE-EXTENSION SW/62 GAS/DSL
8	3335866	1	MUFFLER KUBOTA DF752-D902
9	3337931	1	PIPE-EXHAUST 6X 902
11	711379	3	NUT-FLANGED WIZZ 5/16-18 ZP
12	3400384	3	WASHER-CONICAL SPRING 5/16
13	3400033	3	SCR-HH 5/16-18 X 1.50 ZP GR 5
14	3337639	1	GASKET-INTAKE MANIFOLD KUBOTA D902
15	3337640	1	INTAKE MANIFOLD KUBOTA D902
16	3338715	1	CATALYTIC CONVERTER DF752 (NOT SHOWN)

ENGINE KUBOTA D902 DIESEL & DF752 LP/GAS - ALTERNATOR, WATER PUMP, & FAN



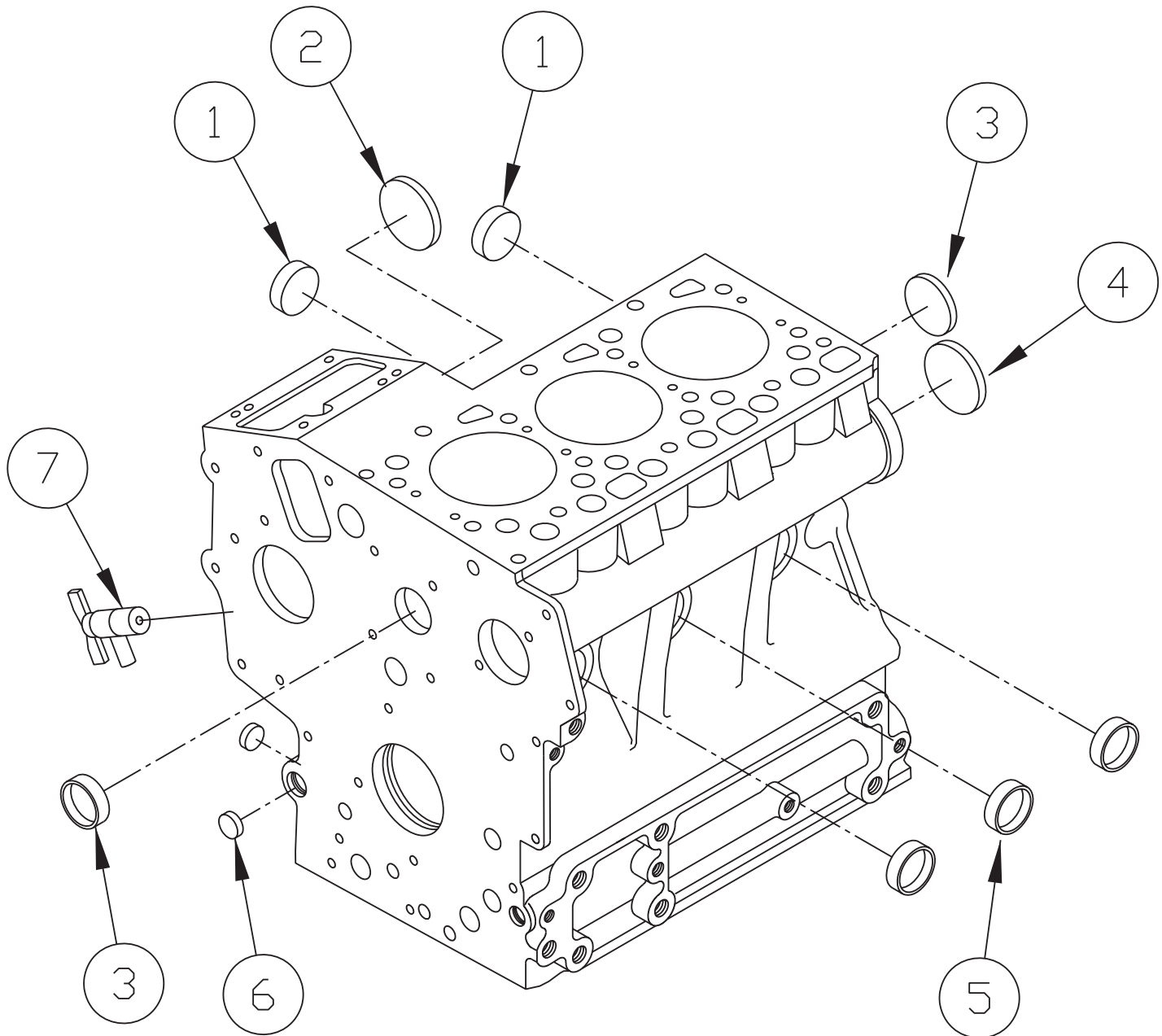
ENGINE KUBOTA D902 DIESEL & DF752 LP/GAS - ALTERNATOR, WATER PUMP, & FAN			
ITEM	PART NO.	QTY	DESCRIPTION
1	3337641	1	COVER-THERMOSTAT KUBOTA DF752
	3337642	1	COVER-THERMOSTAT KUBOTA D902
2	3309244	1	THERMOSTAT-WATER (LP/GAS KUBOTA DF752 ONLY)
	3335854	1	THERMOSTAT-KUBOTA (DIESEL KUBOTA D902 ONLY)
3	3333384	1	GASKET WATER FLANGE
4	3306601	1	GASKET-THERMOSTAT KBA GAS (LP/GAS KUBOTA DF752 ONLY)
	3338994	1	GASKET THERMOSTAT (DIESEL KUBOTA D902 ONLY)
5	3301441	1	SENDER-TEMPERATURE A12,A15,& KUBOTA
6	3337643	1	WATER-FLANGE KUBOTA DF752 (INCLUDES ITEM 3)
	3337644	1	WATER-FLANGE KUBOTA D902 (INCLUDES ITEM 3)
7	3337645	1	WATER PIPE RETURN KUBOTA DF752
	3333408	1	PIPE WATER RETURN (DIESEL KUBOTA D902 ONLY)
8	3318755	1	KUBOTA ALTERNATOR 40 AMP (LP/GAS KUBOTA DF752 ONLY)
	3335849	1	ALTERNATOR-KUBOTA (DIESEL KUBOTA D902 ONLY)
9	3337646	1	STAY-ALTERNATOR KUBOTA DF752-D902
10	3318745	1	KUBOTA-FAN COOLING (LP/GAS KUBOTA DF752 ONLY)
	3337647	1	FAN-ENGINE (DIESEL KUBOTA D902 ONLY)
11	3335913	1	FAN-ALTERNATOR BELT KUBOTA
12	3337648	1	PULLEY FAN DRIVE KUBOTA DF752
	3337649	1	PULLEY FAN DRIVE KUBOTA D902
13	3337650	1	PULLEY FAN KUBOTA DF752-D902
14	3330129	1	HOSE LWR WATER PMP (LP/GAS KUBOTA DF752 ONLY)
	3337651	1	WATER HOSE KUBOTA D902
15	3337373	1	PUMP-WATER (LP/GAS KUBOTA DF752 ONLY)
	3337652	1	WATER PUMP KUBOTA D902
16	3337653	1	PIPE-WATER KUBOTA DF752
	3337654	1	PIPE-WATER KUBOTA D902
17	3337655	1	OIL PAN KUBOTA DF752
	3337656	1	OIL PAN KUBOTA D902
18	3337657	1	GASKET KUBOTA DF752
	3337658	1	GASKET KUBOTA D902
19	3303923	1	PLUG-OIL PAN KUBOTA DF752
	3337702	1	PLUG-OIL PAN KUBOTA D902

ENGINE KUBOTA D902 DIESEL & DF752 LP/GAS - STARTER, & EXHAUST MANIFOLD



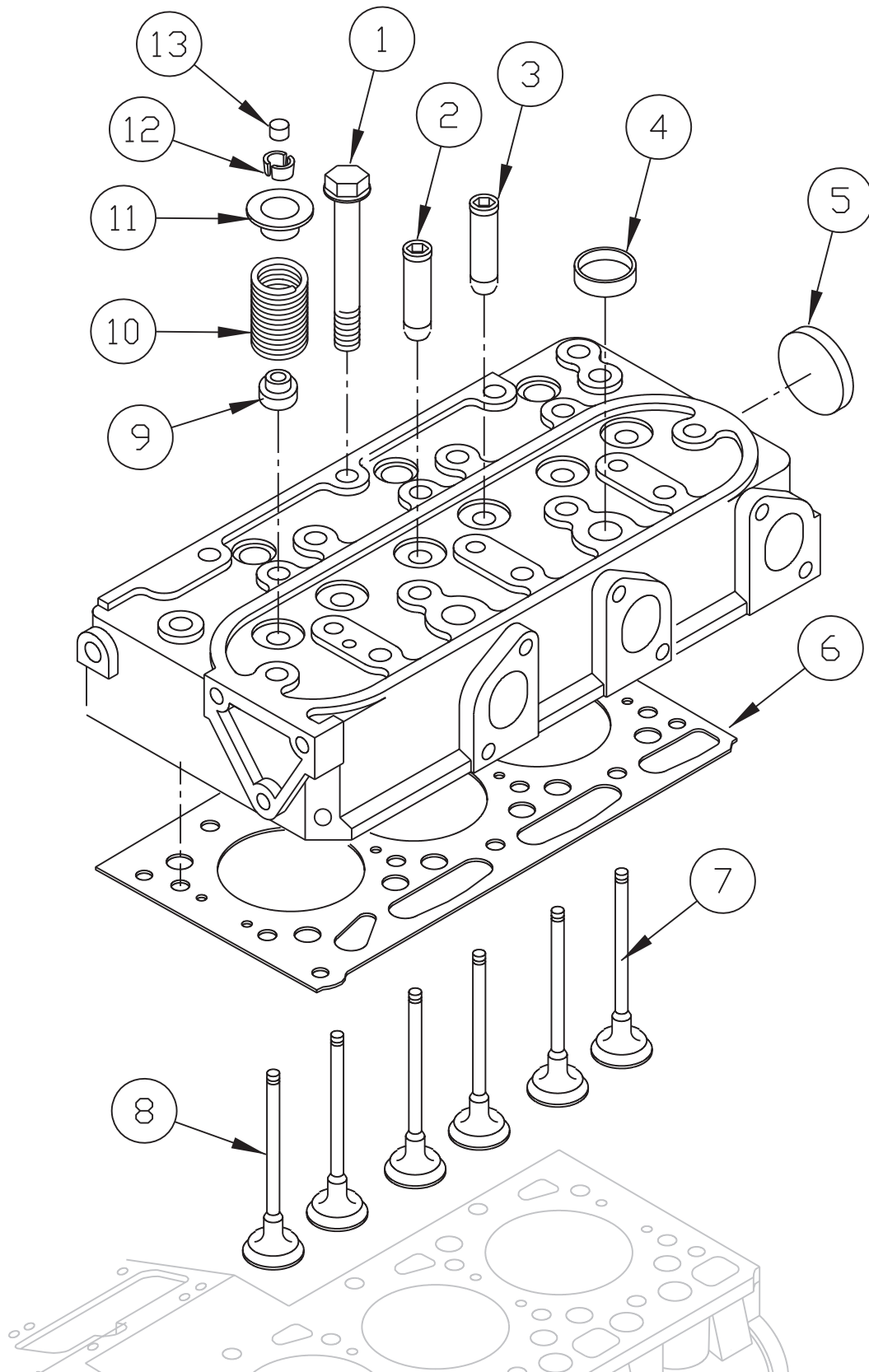
ENGINE KUBOTA D902 DIESEL & DF752 LP/GAS - STARTER, & EXHAUST MANIFOLD			
ITEM	PART NO.	QTY	DESCRIPTION
1	3337802	1	COVER KUBOTA DF752
2	3337703	1	SUPPORT-COVER KUBOTA DF752 ONLY
3	3337704	1	PLATE REAR END KUBOTA DF752
	3337705	1	PLATE REAR END KUBOTA D902
4	3337706	1	FLYWHEEL KUBOTA DF752
	3337707	1	FLYWHEEL KUBOTA D902
5	3337803	1	BELL HOUSING KUBOTA DF752-D902
6	3306594	1	STARTER-KUBOTA GAS (LP/GAS KUBOTA DF752 ONLY)
	3335850	1	STARTER-KUBOTA 902 (DIESEL KUBOTA D902 ONLY)
7	3333393	1	GASKET (LP/GAS KUBOTA DF752 ONLY)
	3337708	1	GASKET-EXHAUST MANIFOLD KUBOTA D902
8	3338670	1	MANIFOLD-EXHAUST KUBOTA DF752
9	3300387	1	SENDER-OIL PRESSURE
10	3301720	1	FTG-90 ELL 1/8 FPT
11	3305640	1	FTG-NIPPLE 1/8BPT-1/8NPT BRASS
12	3333388	1	CARTRIDGE OIL FILTER
13	3333401	1	GASKET HEAD COVER KUBOTA DF752
14	3337710	1	O-RING KUBOTA DF752-D902
15	3337711	1	PLUG-OIL HEAD COVER KUBOTA DF752-D902
16	3331829	3	NUT, CAP KUBOTA DF752
17	3331828	3	GASKET KUBOTA DF752
18	3337712	1	TUBE-BREATHER KUBOTA DF752
19	3337713	1	GASKET-HEAD COVER KUBOTA D902
20	3334288	1	BREATHER-VALVE KUBOTA D902
21	3334287	1	COVER-BREATHER KUBOTA D902
22	3337714	1	TUBE BREATHER KUBOTA D902
23	3332829	1	KUBOTA 902 PUMP COUPLING

ENGINE KUBOTA D902 DIESEL & DF752 LP/GAS - BLOCK AND FREEZE PLUGS



ENGINE KUBOTA D902 DIESEL & DF752 LP/GAS - BLOCK AND FREEZE PLUGS			
ITEM	PART NO.	QTY	DESCRIPTION
1	3337715	2	CAP SEALING KUBOTA DF752
	3337716	2	CAP SEALING KUBOTA D902
2	3337717	1	CAP SEALING KUBOTA D902 ONLY
3	3310007	2	PLUG-FREEZE KUBOTA DF752-D902
4	3337718	1	CAP SEALING KUBOTA DF752-D902
5	3337719	3	CAP SEALING KUBOTA DF752-D902
6	3337720	2	CAP SEALING KUBOTA DF752-D902
7	3337721	1	ASSY-COCK DRAIN KUBOTA DF752-D902

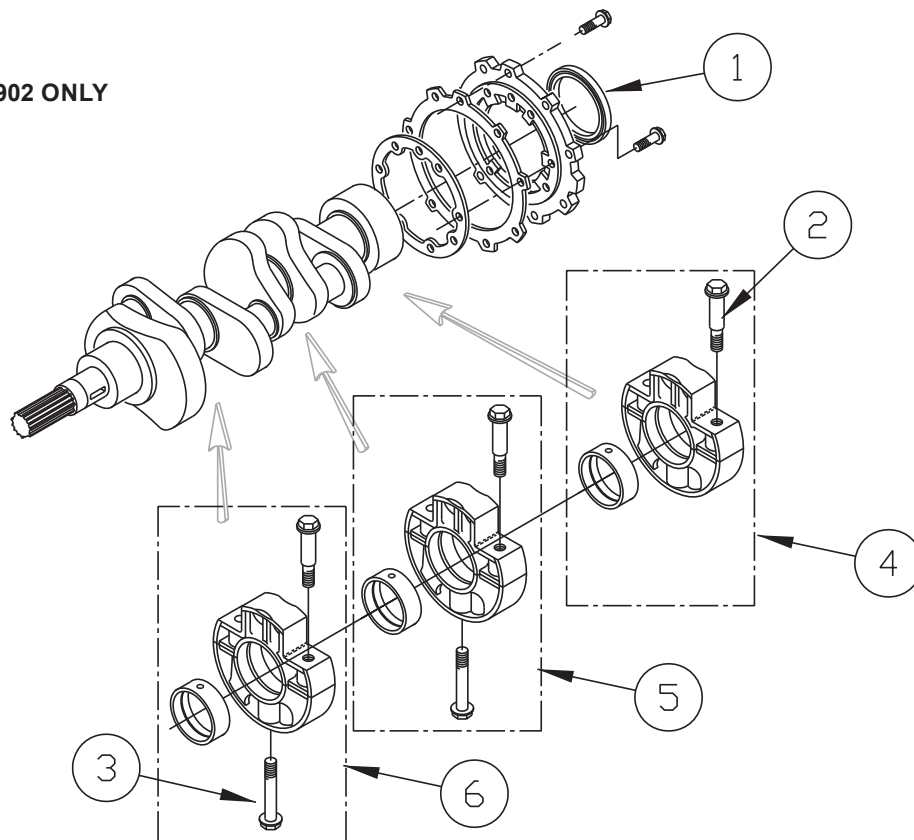
ENGINE KUBOTA D902 DIESEL & DF752 LP/GAS - CYLINDER HEAD AND VALVES



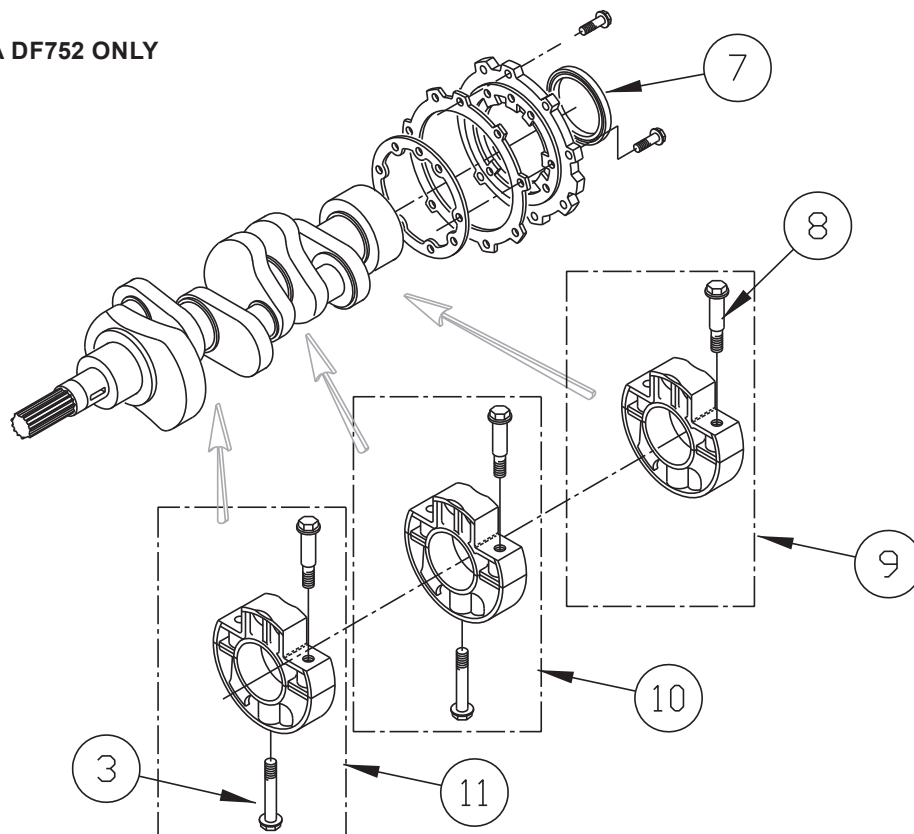
ENGINE KUBOTA D902 DIESEL & DF752 LP/GAS - CYLINDER HEAD AND VALVES			
ITEM	PART NO.	QTY	DESCRIPTION
1	3337722	14	BOLT CYCLINDER HEAD KUBOTA DF752-D902
2	3333382	3	GUIDE INLET VALVE KUBOTA DF752-D902
3	3333383	3	GUIDE EXHAUST VALVE KUBOTA DF752-D902
4	3337723	2	CAP SEALING KUBOTA DF752-D902
5	3337724	1	CAP SEALING KUBOTA DF752-D902
6	3334669	1	GASKET CYLINDER HEAD KUBOTA DF752
	3337725	1	GASKET CYLINDER HEAD KUBOTA D902
7	3337726	3	VALVE-EXHAUST KUBOTA DF752
	3337727	3	VALVE-EXHAUST KUBOTA D902
8	3337728	3	VALVE-INLET KUBOTA DF752
	3337729	3	VALVE-INLET KUBOTA D902
9	3333845	6	SEAL-VALVE STEM KUBOTA DF752-D902
10	3337730	6	SPRING VALVE KUBOTA DF752-D902
11	3337731	6	RETAINER SPRING KUBOTA DF752-D902
12	3337732	6	COLLET,VALVE SPRING KUBOTA DF752-D902
13	3337733	6	CAP,VALVE KUBOTA DF752-D902

ENGINE KUBOTA D902 DIESEL & DF752 LP/GAS - MAIN BEARING CASE

KUBOTA D902 ONLY

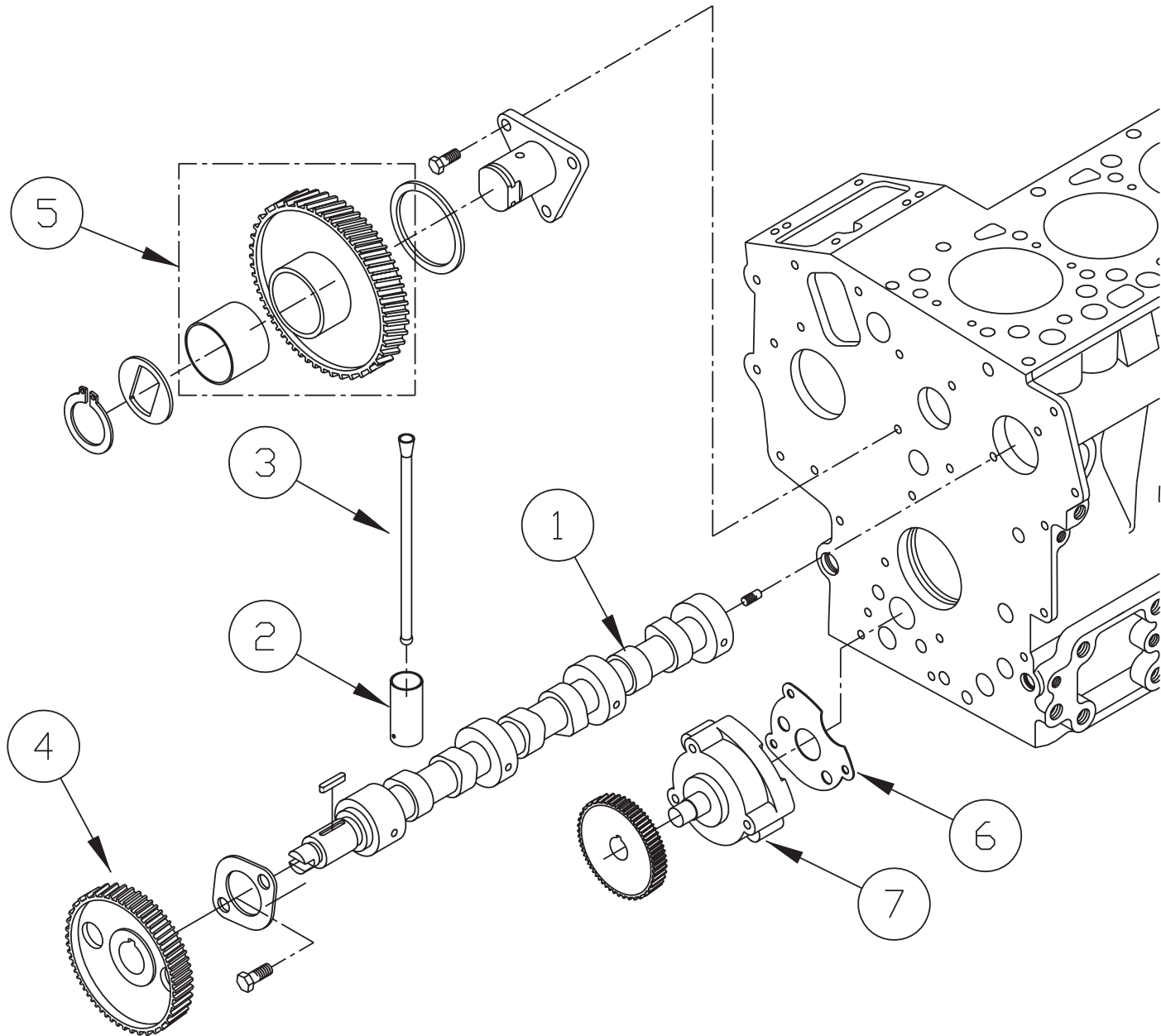


KUBOTA DF752 ONLY



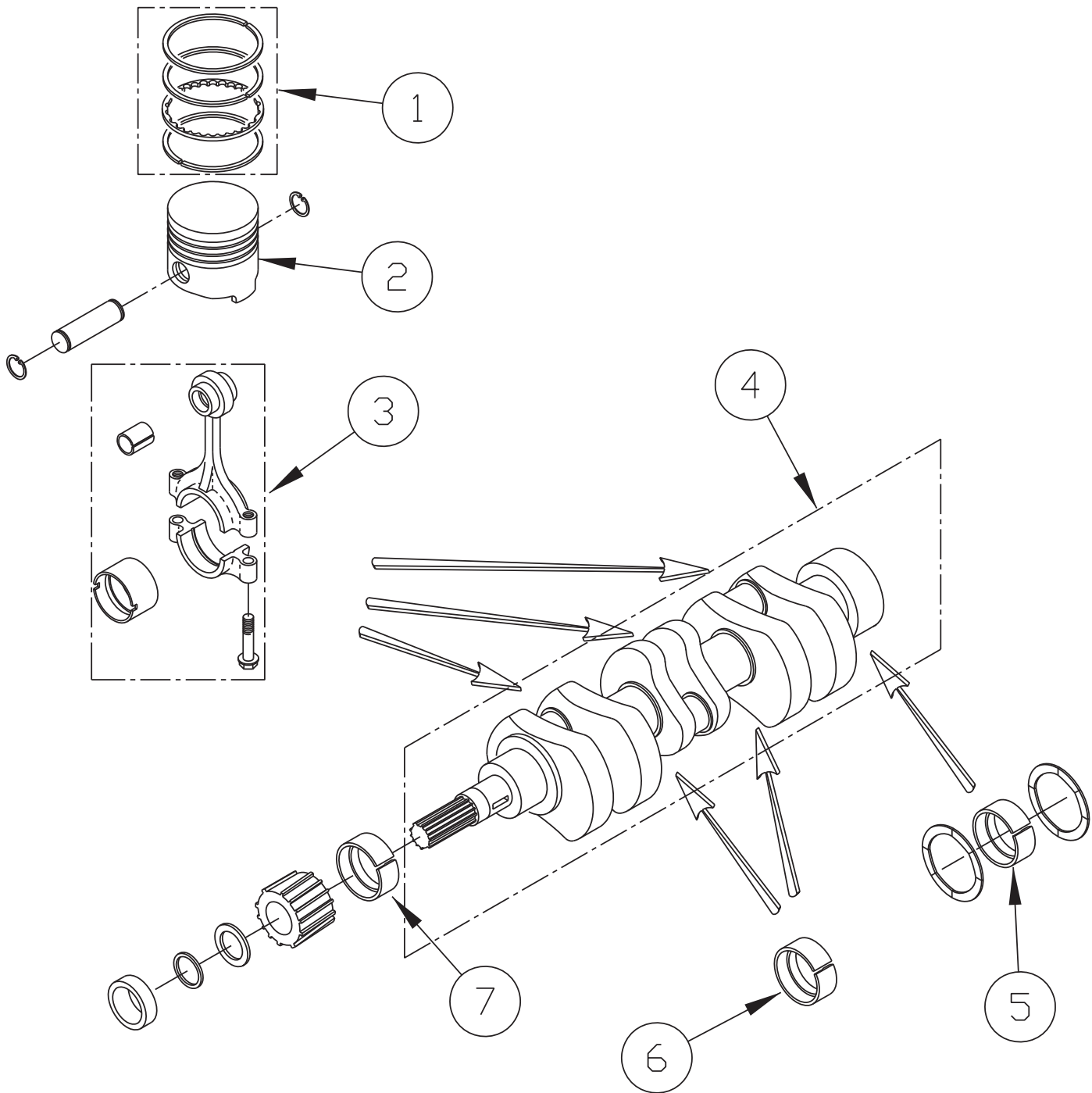
ENGINE KUBOTA D902 DIESEL & DF752 LP/GAS - MAIN BEARING CASE			
ITEM	PART NO.	QTY	DESCRIPTION
1	3337734	1	SEAL,OIL KUBOTA D902
2	3337735	3	BOLT,BEARING CASE KUBOTA D902
3	3337736	2	BOLT,BEARING CASE KUBOTA D902
4	3337737	1	ASSY BRG.CASE MAIN KUBOTA D902
5	3337738	1	ASSY BRG.CASE,MAIN KUBOTA D902
6	3337739	1	ASSY BRG.CASE,MAIN KUBOTA D902
7	3337740	1	SEAL,OIL KUBOTA DF752
8	3337741	3	BOLT,BEARING CASE KUBOTA DF752
9	3337742	1	ASSY BRG.CASE MAIN KUBOTA DF752
10	3316538	1	ASSY-CASE MAIN BEARING KUBOTA DF752
11	3316536	1	ASSY-CASE MAIN BEARING KUBOTA DF752

ENGINE KUBOTA D902 DIESEL & DF752 LP/GAS - CAMSHAFT, IDLE & OIL PUMP



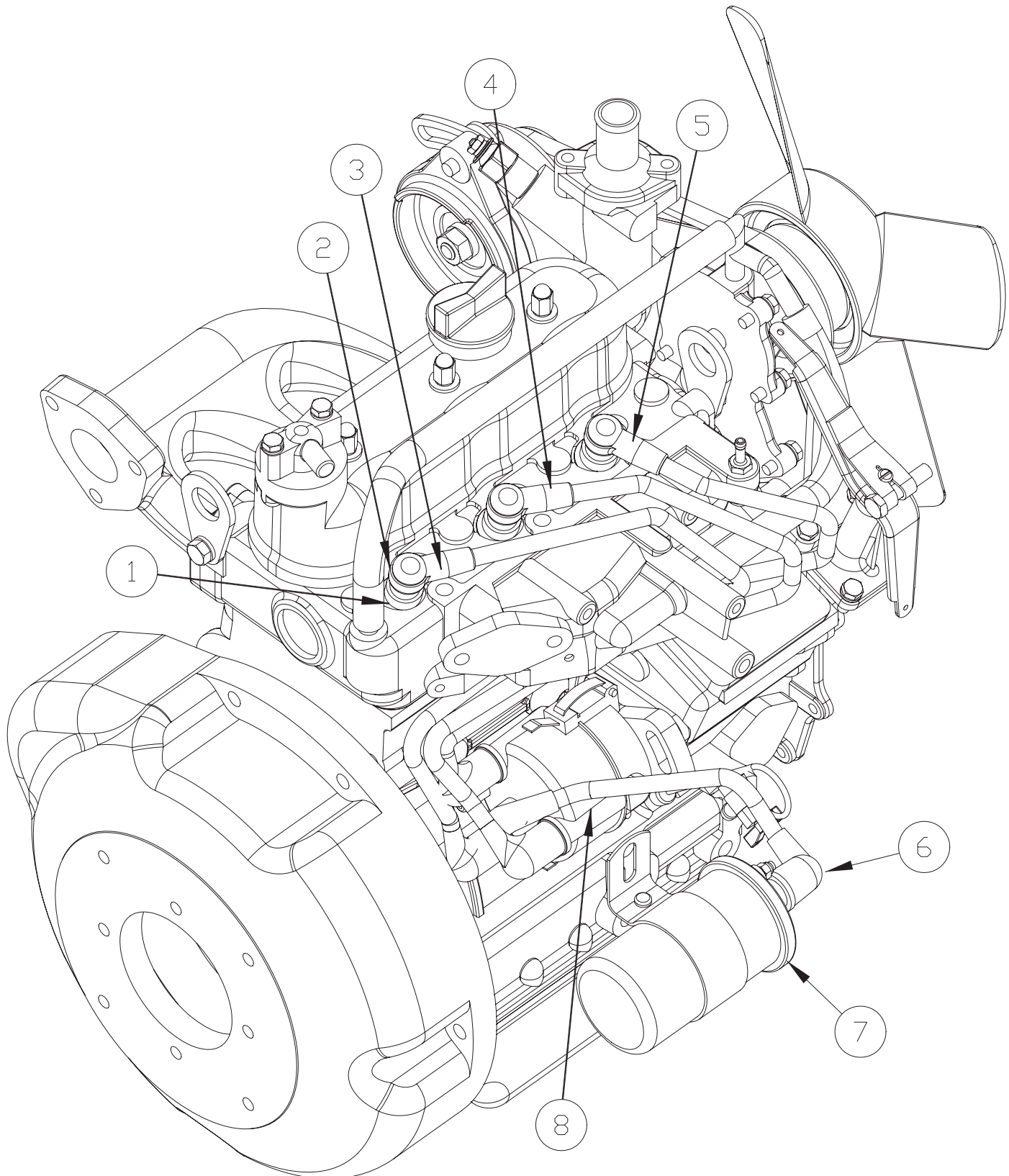
ENGINE KUBOTA D902 DIESEL & DF752 LP/GAS - CAMSHAFT, IDLE & OIL PUMP			
ITEM	PART NO.	QTY	DESCRIPTION
1	3337745	1	ASSY CAMSHAFT KUBOTA DF752
	3337746	1	ASSY CAMSHAFT KUBOTA D902
2	3337747	3	TAPPET KUBOTA DF752-D902
3	3337748	3	PUSH ROD KUBOTA DF752-D902
4	3337749	1	GEAR,CAM KUBOTA DF752-D902
5	3337750	1	GEAR,IDLE KUBOTA DF752-D902
6	3333405	1	GASKET OIL PUMP KUBOTA DF752-D902
7	3337751	1	ASSY PUMP OIL KUBOTA DF752-D902

ENGINE KUBOTA D902 DIESEL & DF752 LP/GAS - PISTON AND CRANKSHAFT



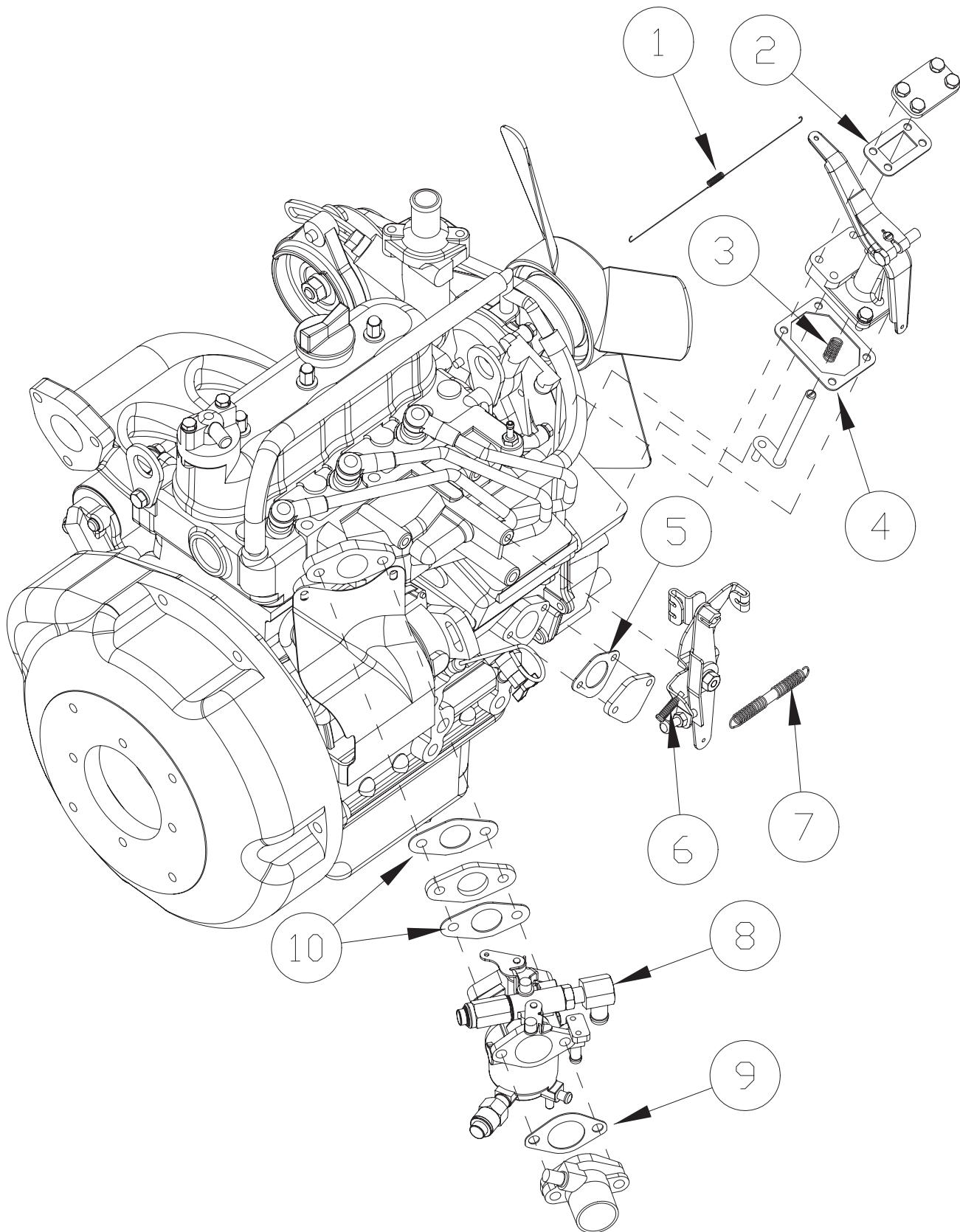
ENGINE KUBOTA D902 DIESEL & DF752 LP/GAS - PISTON AND CRANKSHAFT			
ITEM	PART NO.	QTY	DESCRIPTION
1	3337752	3	ASSY PISTON RING KUBOTA DF752 STD
	3337753	3	ASSY PISTON RING KUBOTA DF752 +0.5MM
	3337754	3	ASSY PISTON RING KUBOTA D902 STD
	3337755	3	ASSY PISTON RING KUBOTA D902 +0.25MM
2	3337756	3	PISTON KUBOTA DF752 STD
	3337757	3	PISTON KUBOTA DF752 +0.5MM
	3337758	3	PISTON KUBOTA D902 STD
	3337759	3	PISTON KUBOTA D902 +0.25MM
3	3337760	3	ASSY ROD CONNECTING KUBOTA DF752-D902
4	3337761	1	CRANKSHAFT KUBOTA DF752
	3337762	1	CRANKSHAFT KUBOTA D902
5	3337763	1	METAL CRANKSHAFT KUBOTA DF752 STD
	3337764	1	METAL CRANKSHAFT KUBOTA DF752 -0.2MM
	3337765	1	METAL CRANKSHAFT KUBOTA DF752 -0.4MM
	3337766	1	METAL CRANKSHAFT KUBOTA D902 STD
	3337767	1	METAL CRANKSHAFT KUBOTA D902 -0.2MM
	3337768	1	METAL CRANKSHAFT KUBOTA D902 -0.4MM
6	3337769	2	METAL CRANKSHAFT KUBOTA DF752 STD
	3337770	2	METAL CRANKSHAFT KUBOTA DF752 -0.2MM
	3337771	2	METAL CRANKSHAFT KUBOTA DF752 -0.4MM
	3337772	2	METAL CRANKSHAFT KUBOTA D902 STD
	3337773	2	METAL CRANKSHAFT KUBOTA D902 -0.2MM
	3337774	2	METAL CRANKSHAFT KUBOTA D902 -0.4MM
7	3337775	1	METAL CRANKSHAFT KUBOTA DF752 STD
	3337776	1	METAL CRANKSHAFT KUBOTA DF752 -0.2MM
	3337777	1	METAL CRANKSHAFT KUBOTA DF752 -0.4MM
	3337778	1	METAL CRANKSHAFT KUBOTA D902 STD
	3337779	1	METAL CRANKSHAFT KUBOTA D902 -0.2MM
	3337780	1	METAL CRANKSHAFT KUBOTA D902 -0.4MM

ENGINE KUBOTA DF752 LP/GAS - DISTRIBUTOR AND SPARK PLUG



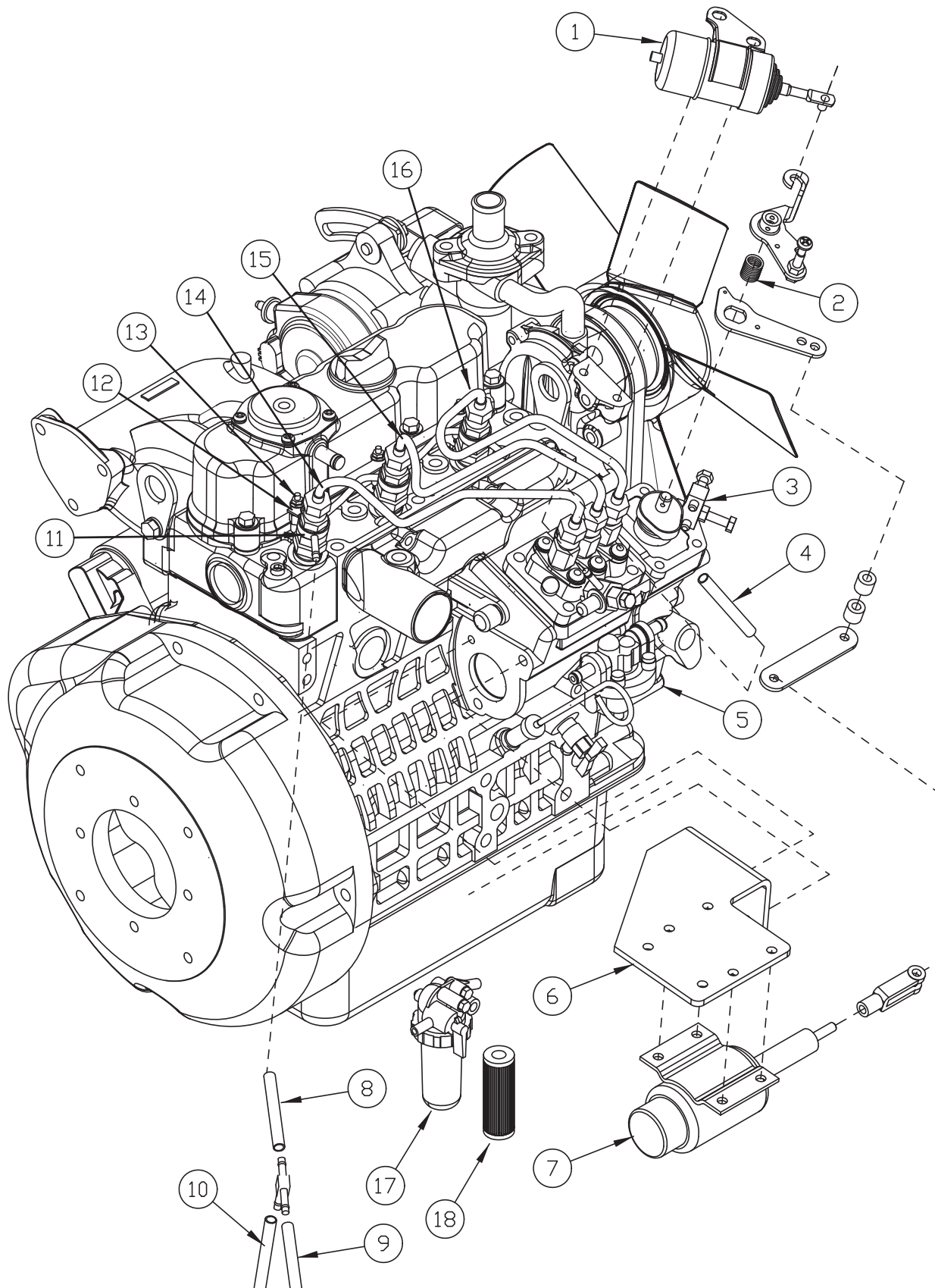
ENGINE KUBOTA DF752 LP/GAS - DISTRIBUTOR AND SPARK PLUG			
ITEM	PART NO.	QTY	DESCRIPTION
1	3337781	3	CAP SPARK PLUG KUBOTA DF752
2	3306610	3	PLUG-SPARK KUBOTA DF752
3	3335954	1	WIRE-SPARK PLUG DF752 KUBOTA
4	3335955	1	WIRE-SPARK PLUG DF752 KUBOTA
5	3335956	1	WIRE-SPARK PLUG DF752 KUBOTA
6	3318742	1	KUBOTA-COIL WIRE DF752
7	3318746	1	COIL IGNITION KUBOTA DF752
8	3334908	1	DISTRIBUTOR KUBOTA DF752

ENGINE KUBOTA DF752 LP/GAS - CARBURETOR AND GOVERNOR



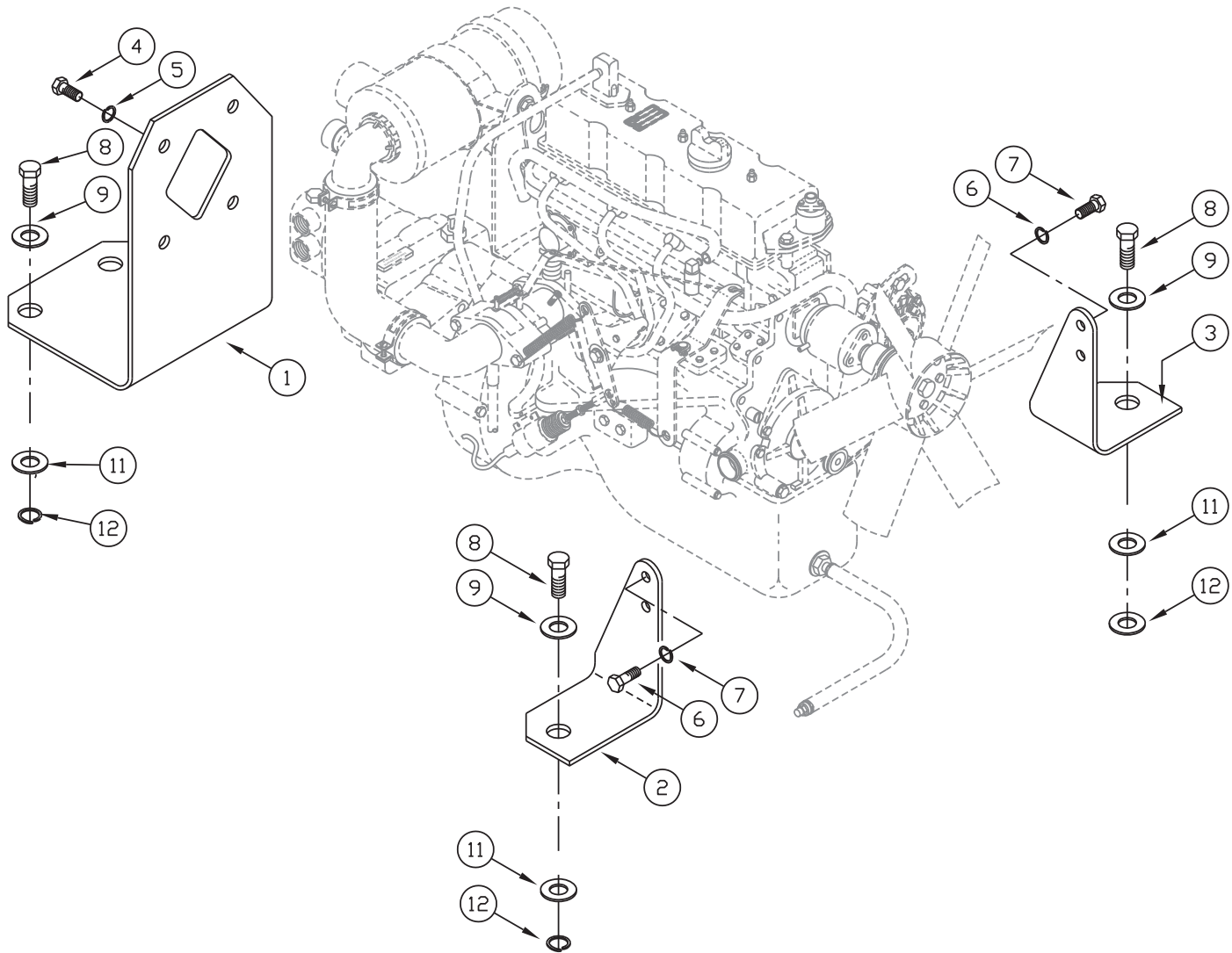
ENGINE KUBOTA DF752 LP/GAS - CARBURETOR AND GOVERNOR			
ITEM	PART NO.	QTY	DESCRIPTION
1	3336725	1	SPRING KUBOTA DF752
2	3337782	1	GASKET GOVERNOR KUBOTA DF752
3	3337783	1	SPRING GOVERNOR LEVER KUBOTA DF752
4	3337784	1	GASKET CONTROL PLALE KUBOTA DF753
5	3330693	1	GASKET FUEL PUMP KUBOTA DF752
6	3337785	1	SPRING SPEED CONTL KUBOTA DF752
7	3336727	1	ASSY - SPRING KUBOTA DF752
8	3332774	1	CARBUERATOR KUBOTA DF752
9	3337786	1	GASKET, AIR CLEANER KUBOTA DF752
10	3306632	1	GASKET-CARBURETOR KUBOTA DF752

ENGINE KUBOTA D902 LP/GAS - FUEL SYSTEM



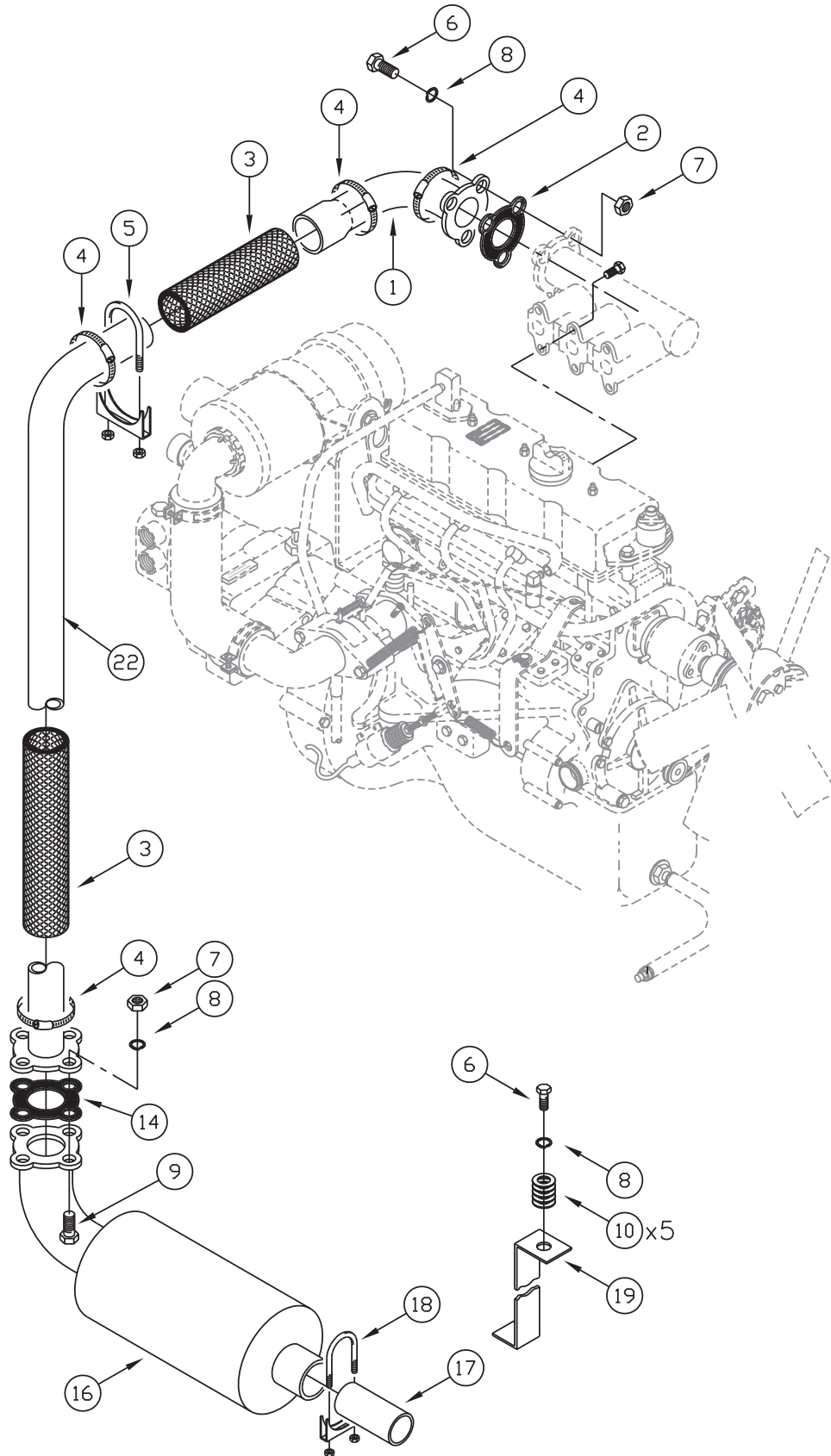
ENGINE KUBOTA D902 LP/GAS - FUEL SYSTEM			
ITEM	PART NO.	QTY	DESCRIPTION
1	3335860	1	STOP-SOLENOID KUBOTA D902
2	3337787	1	SPRING RETURN SPEED CONTROL KUBOTA D902
3	3337788	1	PLATE SPEED CONTROL KUBOTA D902
4	3337789	1	FUEL PIPE KUBOTA D902
5	3337790	1	FUEL PUMP KUBOTA D902
*	3330693	1	GASKET -FUEL PUMP KUBOTA D902
6	3337804	1	MOUNTING BRACKET KUBOTA D902 (EPS2250)
7	661353	1	SOLENOID-THROTTLE SOLENOID KIT
8	3337791	1	FUEL TUBE KUBOTA D902
9	3337792	1	FUEL TUBE KUBOTA D902
10	3337793	1	FUEL TUBE KUBOTA D902
11	3335855	3	INJECTOR-KUBOTA 902
12	3337794	1	CORD,GLOW PLUG KUBOTA D902
13	3329846	3	PLUG, GLOW KUBOTA D902
14	3337795	1	PIPE,INJECTION KUBOTA D902
15	3337796	1	PIPE,INJECTION KUBOTA D902
16	3337797	1	PIPE,INJECTION KUBOTA D902
17	3337934	1	ASSY-FILTER/SHUT-OFF D902 (6X)
18	3337946	1	FILTER-D902 FUEL
*	3330885	1	RELAY-GLOWPLUG KUBOTA D902 (NOT SHOWN)

ENGINE WG750 GAS - MOUNTINGS



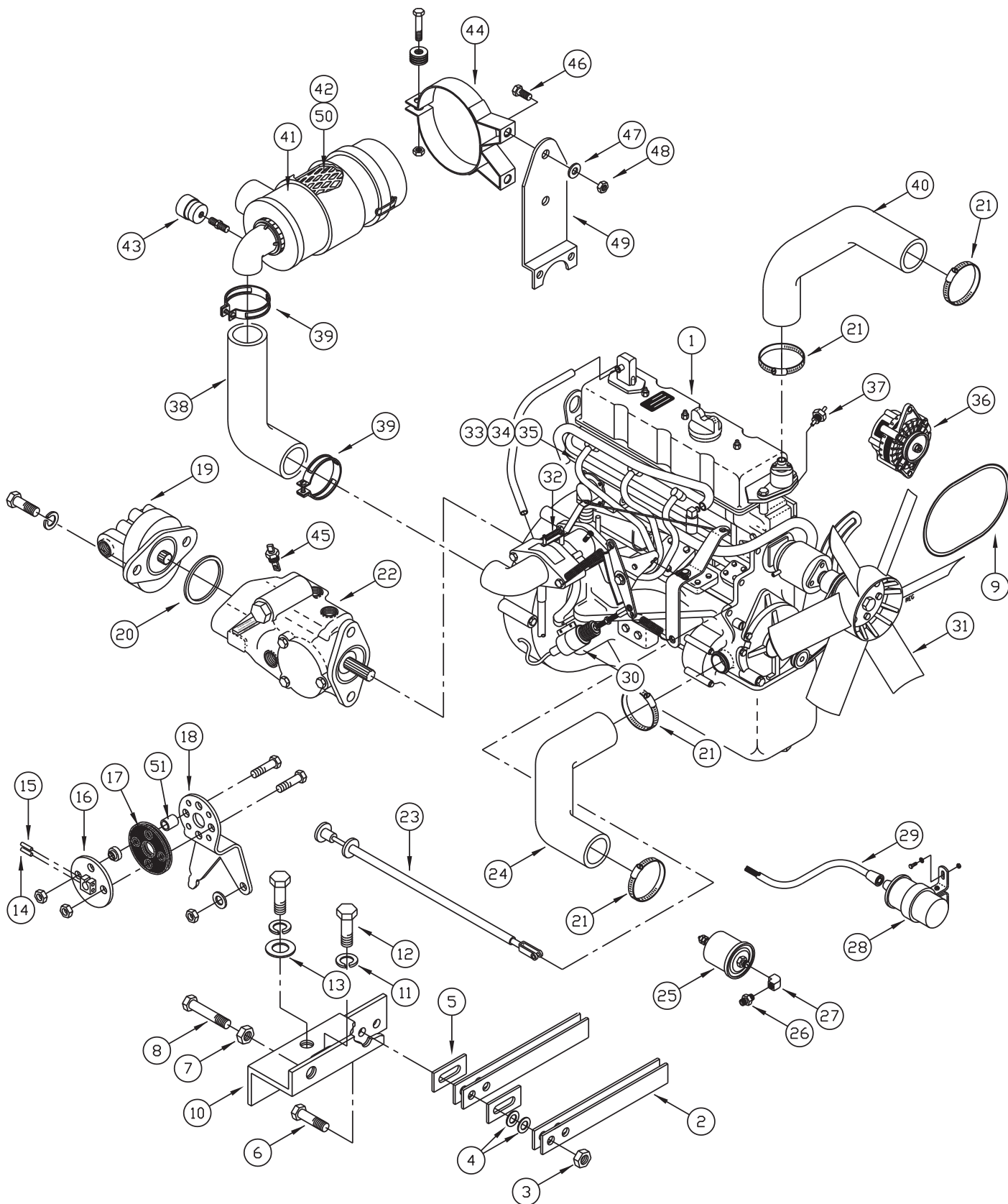
ENGINE WG750 GAS - MOUNTINGS			
ITEM	PART NO.	QTY	DESCRIPTION
1	3338124	1	WELD—ENG MOUNT REAR WG750
2	3338122	1	MOUNT—ENGINE RH WG750 KBA
3	3338121	1	MOUNT—ENGINE LH WG750 KBA
4	713042	4	SCR—HEX,3/8-16X1.00 ZP
5	711546	4	WASHER—LOCK 3/8 SPLIT ZP
6	620082	4	SCR-HH M10-1.25 X 25 ZP CLASS 8.8
7	3401458	4	WASHER-LOCK 10MM SPLIT ZP
8	3400020	4	SCR-HH 1/2-13 X 2.00 ZP GR 5
9	712301	8	WASHER-FLAT 3/8 ZP
11	711546	4	WASHER-LOCK 3/8 SPLIT ZP
12	3400091	4	WASHER-FENDER 1/2 X 2.00 ZP

ENGINE WG750 GAS - RADIATOR AND EXHAUST SYSTEM



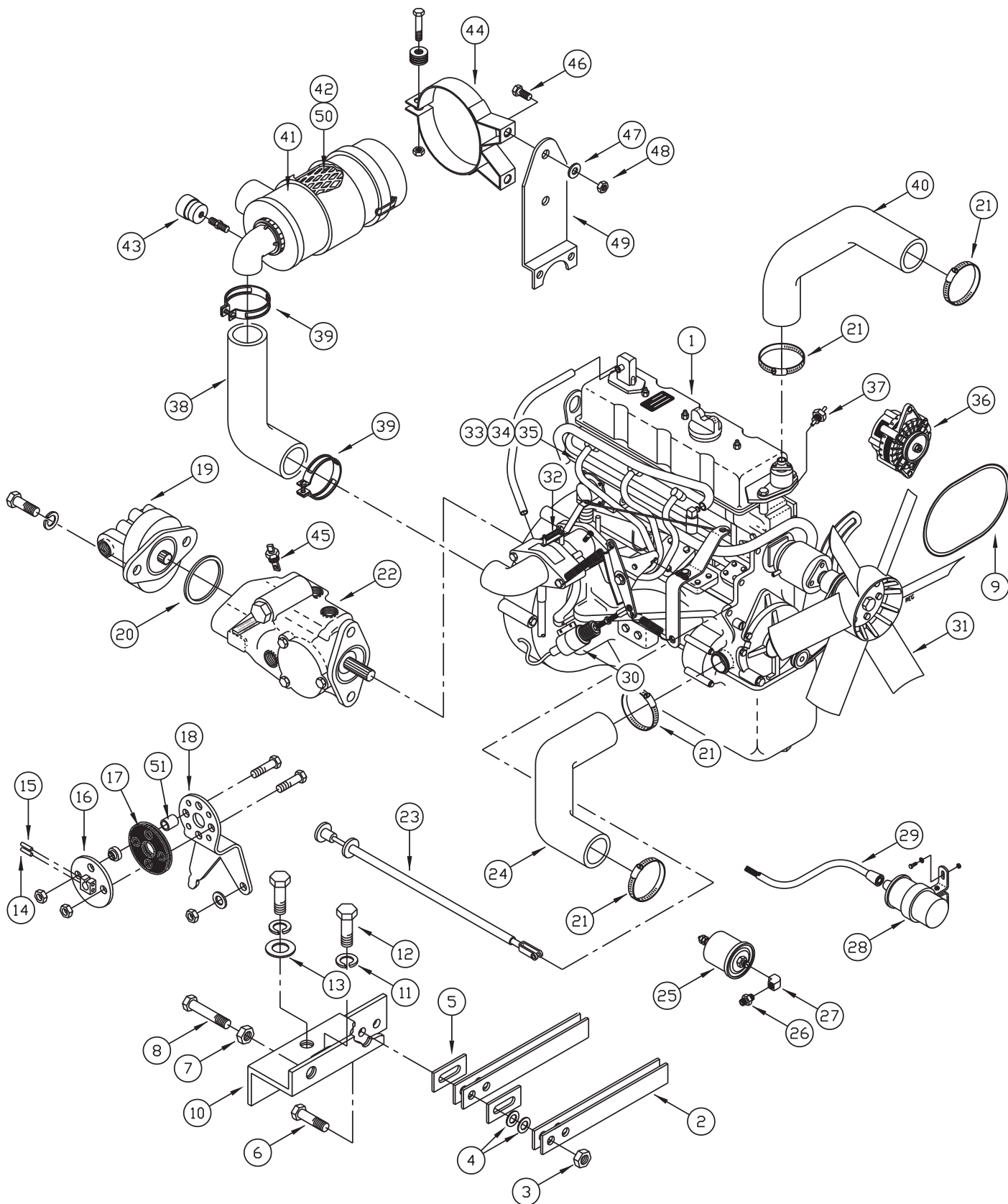
ENGINE WG750 GAS - RADIATOR AND EXHAUST SYSTEM			
ITEM	PART NO.	QTY	DESCRIPTION
1	3338582	1	ASSY- 752 EXHAUST
2	3310021	1	GASKET—EXH SW71 KBA GAS (SP)
3	3312281	2	EXHAUST—WRAP MANIFOLD TUBE
4	3302193	4	CLAMP—HOSE 1.25 NOM
5	3301640	1	CLAMP—EXHAUST 1 3/4
6	3400339	4	SCREW-HEX,3/8-16X2.25 SS
7	3400070	7	NUT—HEX 5/16-18 ZP
8	711546	8	WASHER—LOCK 3/8 SPLIT ZP
9	3400035	4	SCR—HEX,5/16-18X1.00 ZP
10	3400278	5	WASHER-FENDER 3/8 ZP
14	PBK15371-12370	1	GASKET—MUFFLER
16	3316505	1	MUFFLER—KBA WG750 (SP)
17	3315317	1	PIPE—EXTENSION SW/62 GAS/DSL
18	3316508	1	CLAMP—MUFLR/TAILPIPE KBA 62-SP
19	3318406	1	BRKT—EXHAUST MOUNT SW/72
22	3338023	1	PIPE EXH MANIF TO MUFFLER (USE #3338582)

ENGINE WG750 GAS - COMPONENTS



ENGINE WG750 GAS - COMPONENTS			
ITEM	PART NO.	QTY	DESCRIPTION
1	3338097	1	POWERTRAIN—KUBOTA GAS
2	3300543	4	SPRING—RETURN
3	3400081	2	NUT—HEX 1/4-20 ES ZP
4	711505	4	WASHER—FLAT 1/4 STANDARD ZP
5	3303918	2	SPACER—FWD / REV BRKT PLTD
6	713005	2	SCR—HEX 1/4-20 X 1.50 ZP
7	711322	2	NUT—HEX 5/16-24 ZP
8	3400228	2	SCR—HEX 5/16-24 X 1.5 ZP FULL TH
9	3316296	1	BELT-FAN 750 KBA GAS ENG (SP)
10	3338015	1	PLATE—DIR CONTROL ADJ
11	711545	2	WASHER—LOCK 5/16 SPLIT ZP
12	3400036	2	SCR—HEX 5/15-18 X 0.75 ZP
13	711506	1	WASHER—FLAT 5/16 STANDARD ZP
14	3400173	1	SCR—HEX 1/4-20 X 1.75 ZP
15	3400027	1	SCR—HEX 3/8-16 X 1.75 ZP
16	3301544	1	WELD—DISC FWD/REV PLTD
17	3301507	1	COUPLING—DIR CONTROL
18	3338014	1	PLATE—DIRECTIONAL CONTROL
19	3338093	1	GEAR PUMP—SW/6XV
20	3303711	1	O-RING STATIC SEAL 3.239 ID
21	3302193	1	CLAMP—HOSE 1.25 NOM
22	3338090	1	PUMP—MAIN HYD DRIVE SW6XV
23	3313077	1	CABLE—CHOKE SW/62 GAS
24	3331363	1	WG750 LOWER RAD HOSE GRIFFIN
25	3300387	1	SENDER—OIL PRESSURE
26	3305640	1	FTG—NIPPLE 1/8 RPT-1/8 NPT BRASS
27	3301720	1	FTG—90 EL 1/8 FPT
28	3318746	1	COIL IGNITION
29	3318742	1	COIL WIRE
30	3330186	1	WG750—SOLENOID THROTTLE LP4/98
31	3322163	1	FAN BLADE—D722/D750
32	3318754	1	CARBURETOR
33	3318749	1	WIRE #1 SPARK PLUG
34	3318750	1	WIRE # 2 SPARK PLUG
35	3318751	1	WIRE #3 SPARK PLUG

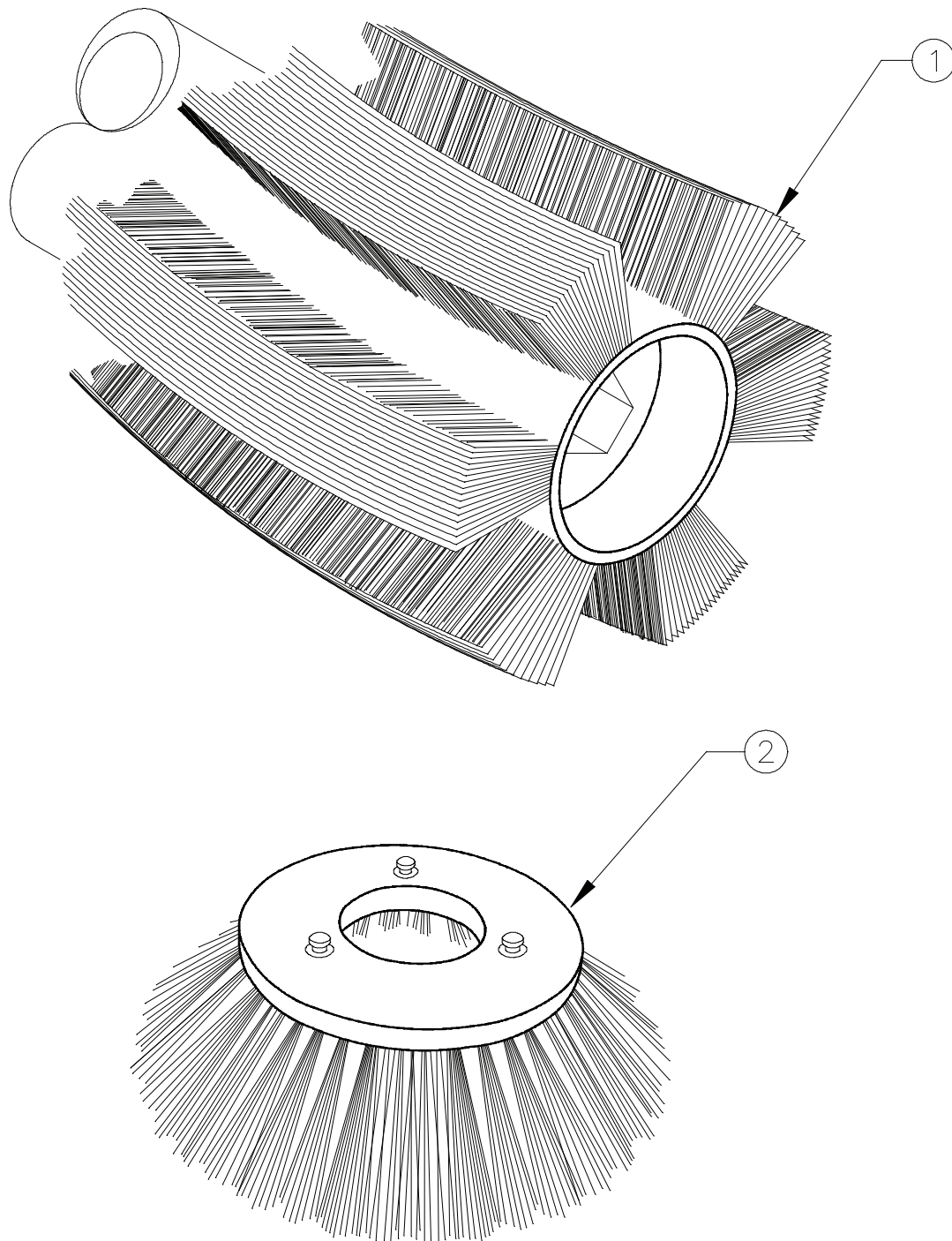
ENGINE WG750 GAS - COMPONENTS (CONTINUED)



ENGINE WG750 GAS - COMPONENTS			
ITEM	PART NO.	QTY	DESCRIPTION
36	3318755	1	WG750—KUBOTA ALTERNATOR
37	3301441	1	SENDER—TEMP
38	3331364	1	HOSE—90 DEG AIR INTAKE
39	3044112	1	CLAMP—HOSE 2.50 MAX WORM
40	3331362	1	WG750 UPPER RAD HOSE GRIFFIN
41	3331005	1	WG750—AIR CLNR ASSY
42	3330677	1	WG750—ELEMENT (NEW) PRIMARY
43	3303991	1	INDICATOR—AIR CLEANER KIT
44	3331360	1	BAND-AIR CLEANER MNT SMALL
45	3331367	1	VALVE TOW OPTION
46	3400036	2	SCR—HEX,5/16-18X0.75 ZP
47	711545	2	WASHER—LOCK 5/16 SPLIT ZP
48	3400070	2	NUT—HEX 5/16-18 ZP
49	3331365	1	BRKT AIR CLEANER MOUNT
50	3330678	1	WG750—ELEMENT (NEW) SAFETY
51	3300339	4	SLEEVE-SQ & FWD/REV

BROOM PARTS BREAKDOWN
MAIN AND SIDE BROOMS (6X)

Note: Side brooms also called curb brooms.



MAIN AND SIDE BROOMS (6X)			
ITEM	PART NO.	QTY	DESCRIPTION
1	3300302-PH	1	36" (91 CM) PROEX & WIRE (STANDARD)
	3300304-PH	1	36" (91 CM) HIGH DENSITY NYLON, PH, BLACK
	3300314-PH	1	36" (91 CM) NYLON, PH
	3300316-PH	1	36" (91 CM) PATROL (HERRINGBONE), PH
	3300320-PH	1	36" (91 CM) HIGH DENSITY NATURAL FIBER & WIRE, PH
2	3300306	1	24" (61 CM) SIDE BROOM - POLY (BLACK) (STANDARD)
	3300308	1	24" (61 CM) SIDE BROOM - NYLON (WHITE) (OPTIONAL)

Main Broom User's Guide

Proex & Wire - Slightly encrusted soilage & dusty conditions. High heat.

High Density Nylon - Highly effective for small particle soilage. Severe dust environments.

Nylon - General purpose broom with long life bristles.

Natural Fiber & Wire - Good all around broom. Good for high heat applications.

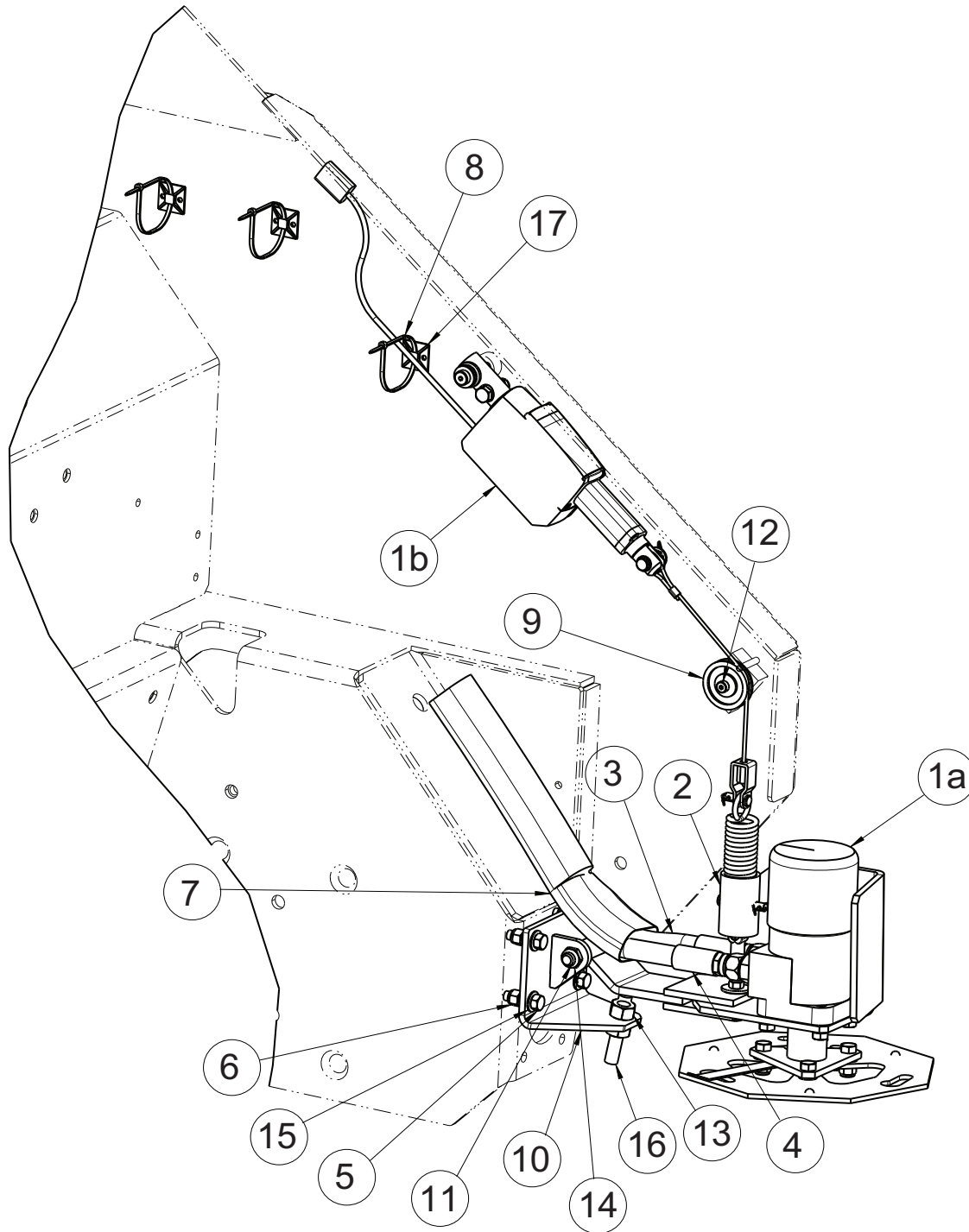
Side Broom User's Guide

Poly - Stiff bristles for aggressive sweeping of mainly heavy litter. Not suited for high heat.

Nylon - Provides longest life. Recommended for tough sweeping jobs.

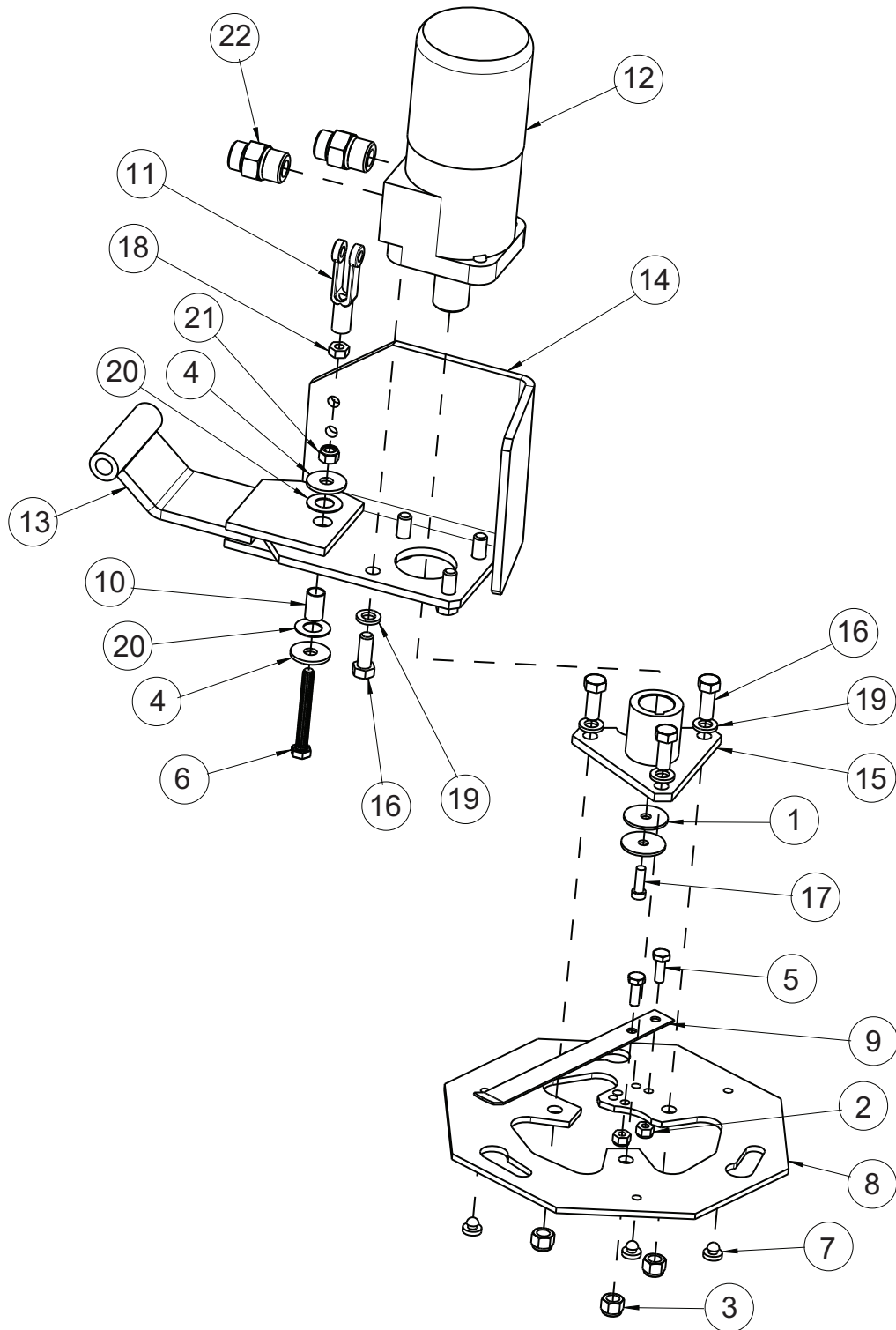
OPTIONS

OPTIONAL LEFT SIDE BROOM ASSEMBLY



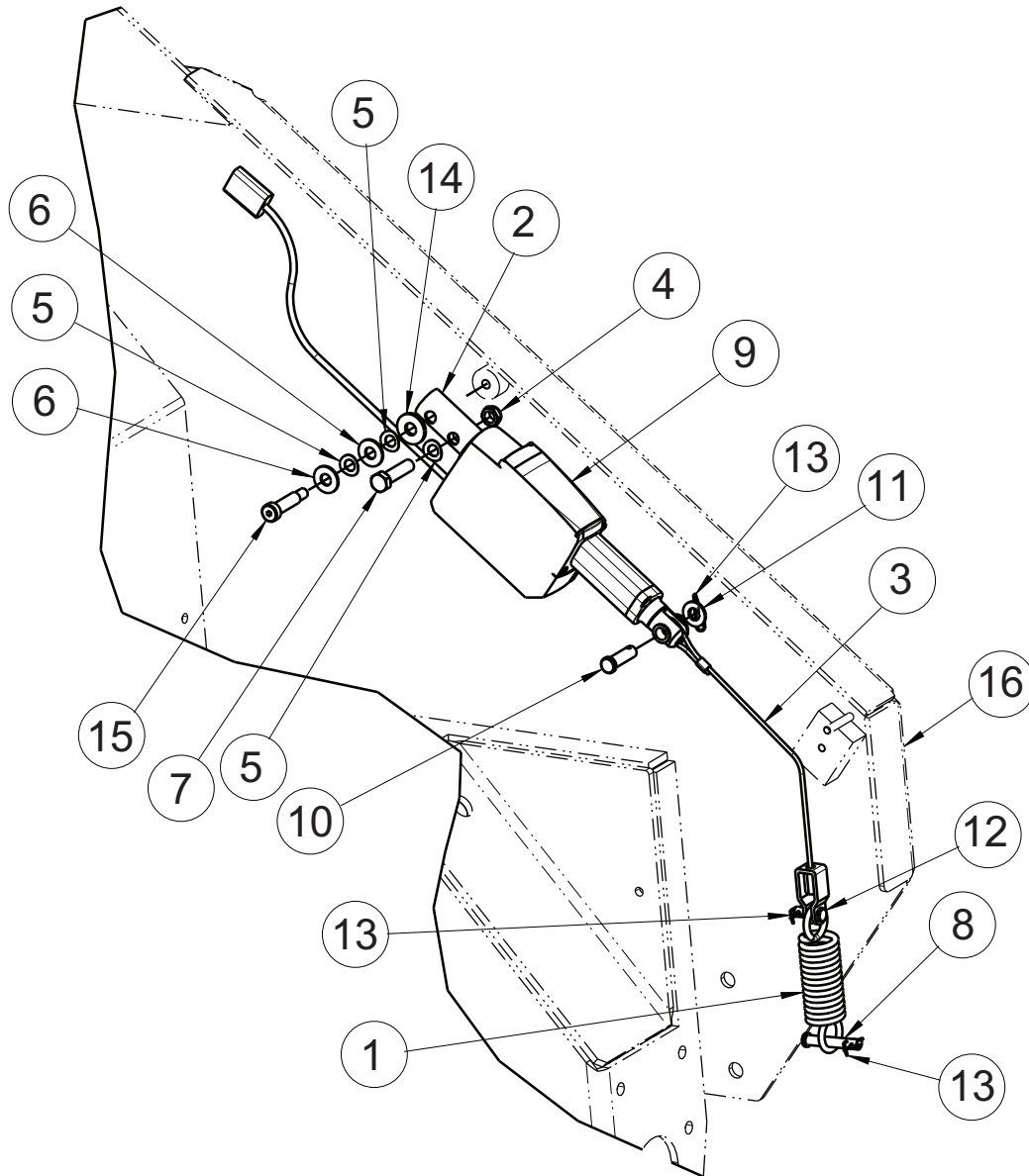
OPTIONAL LEFT SIDE BROOM ASSEMBLY 3321247			
ITEM	PART NO.	QTY	DESCRIPTION
1a	661143	1	ASSY, COMPONENTS, LH CURB BRM ARM - 6X
1b	661144	1	ASSY, COMPONENTS, CB CABLE - 6X
2	661279	1	COLLAR, RETAINER, CB SPRING - 6X
3	675471	1	HOSE M5 (STR) TO SIDE MTR A (STR)
4	675495	1	HOSE - HEAVY DUTY CB, 98"
5	711250	4	SCR-HH 3/8-16 X 1.25 ZP GR 5
6	711380	4	NUT-NYLOC 3/8-16 ZP
7	730692	0.2	8" HOSE PROTECTOR (5 PK)
8	828062-B	3	CABLE TIE-LARGE (BLACK)
9	3300368	1	PULLEY-PLASTIC 2" X .25" GROOVE
10	3321248	1	MNT-CURB BROOM L/H
11	3400018	1	SCR-HH 1/2-13 X 4.00 ZP GR 5
12	3400051	1	BLT-SHOLDER 5/16 X .50 LG X 1/4-20 SS SO
13	3400064	1	NUT-HEX 1/2-20 ZP GR 5
14	3400317	1	NUT-JAM 1/2-13 ZP NYLOC
15	3400385	4	WASHER-CONICAL SPRING 3/8
16	3400404	1	SCR-SET 1/2-20 X 3.00 BLK OX CP SQUARE H
17	17526120	3	CABLE TIE MOUNT W/ADHESIVE 1"X1"

CURB BROOM ASSEMBLY



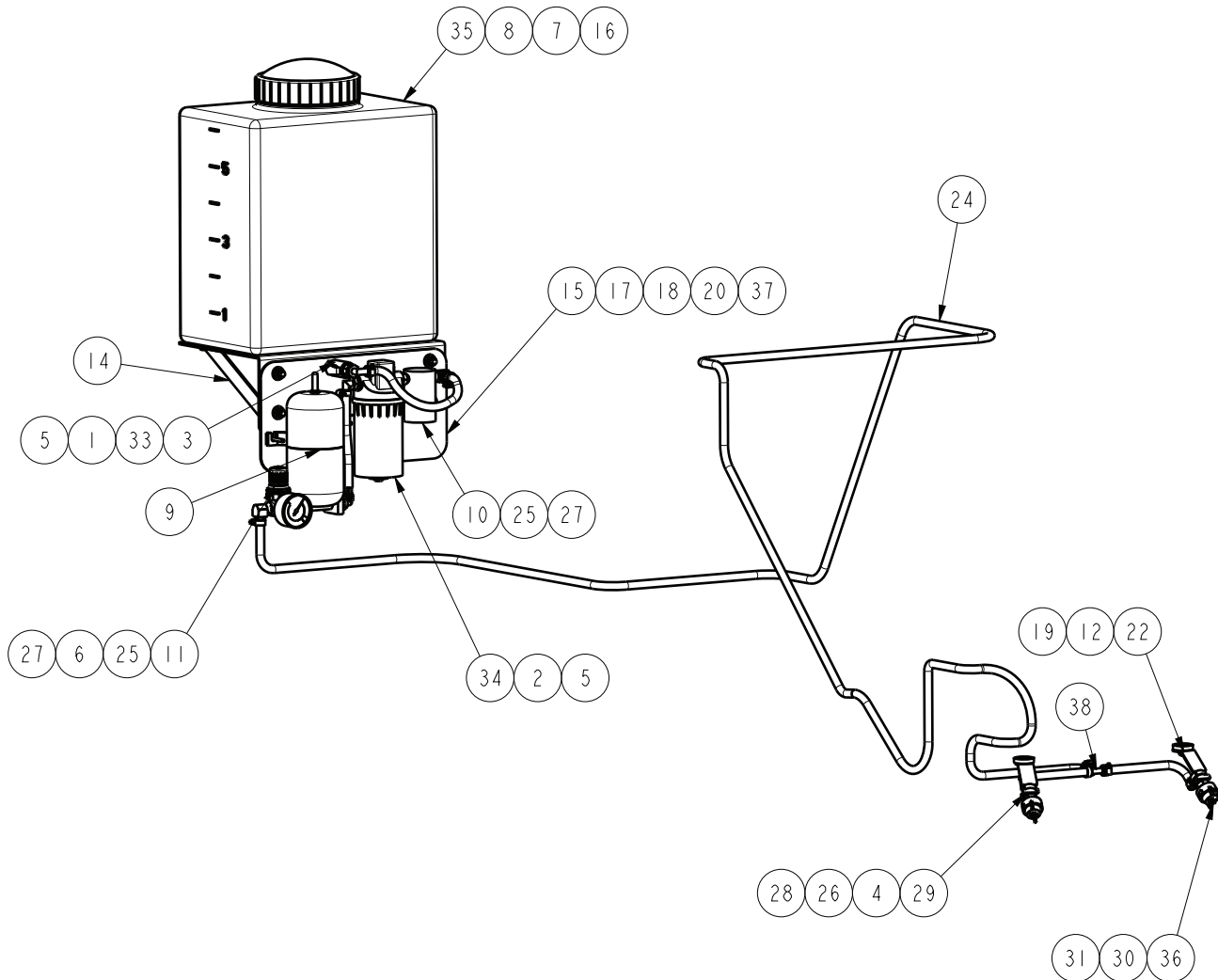
CURB BROOM ASSEMBLY (661143)			
ITEM	PART NO.	QTY	DESCRIPTION
1	620045	2	WASHER-FENDER 1/4 X 1.25 ZP
2	711373	2	NUT-NYLOC 1/4-20 ZP
3	711380	3	NUT-NYLOC 3/8-16 ZP
4	711855	2	WASHER-FENDER 3/8 X 1.12 X .10 ZP HARD
5	713002	2	SCR-HH 1/4-20 X .75 ZP 5
6	713626	1	SCR-HH 5/16-24 X 2.50 ZP GR 8 FULL THRD
7	3300526	3	BUMPER-RUBBER 1/4 ID X 1/8 THK
8	3301262	1	PLATE-GIMBAL SC HD PLTD
9	3302058	1	BAR-CURB BROOM RETAINER ZP
10	3307241	1	SPACER-HAND BRAKE, ZP SW/A
11	3307642	1	CLEVIS-5/16 PLTD SW/A
12	3316897	1	MOTOR-HYD CURB BRM(EXCEPT 62E)
13	3321242	1	ARM ASSY LH SW/62
14	3321243	1	MNT-CURB BROOM MTR SW/62
15	3343107	1	PLATE GIMBLE 62/72 GAS/DS PCP(313212)
16	713042	7	SCR-HH 3/8-16 X 1.00 ZP GR 5
17	3400049	1	SCR-SHCS 1/4-20 X 0.75 BLK OX NYL PATCH
18	711322	1	NUT-HEX 5/16-24 ZP
19	711546	7	WASHER-LOCK 3/8 SPLIT ZP
20	3400178	2	BEARING-THRUST .531 ID X 1.00 OD
21	3400420	1	NUT-NYLOC 5/16-24 ZP
22	3400689	2	FTG-ORFS STR THD -8 -10 SE

CABLE ASSEMBLY

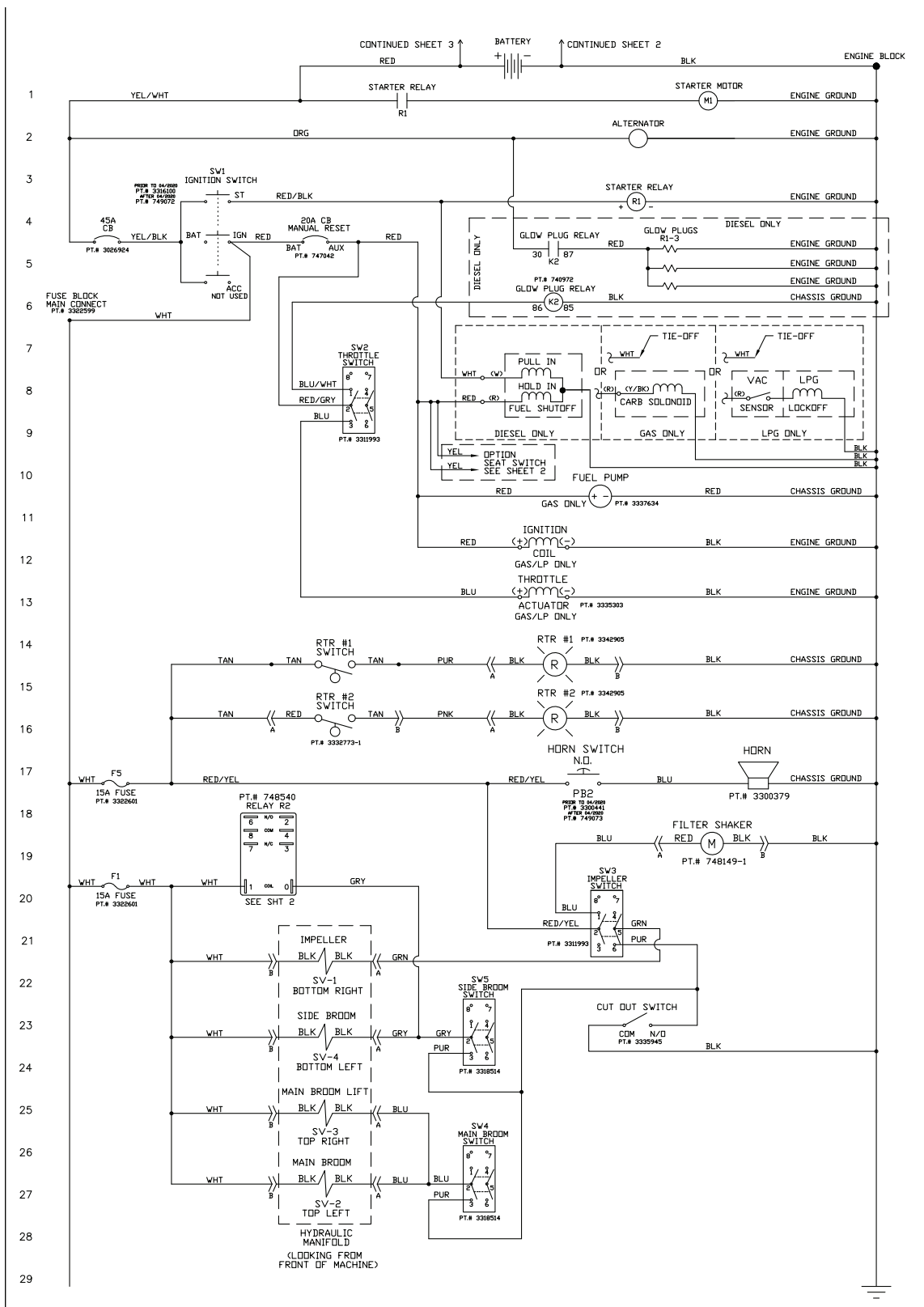


CABLE ASSEMBLY (661144)			
ITEM	PART NO.	QTY	DESCRIPTION
1	661126	1	EXTENSION SPRING, CB - 6X
2	661260	1	COLLAR, CB ACTUATOR - 6X
3	661280	1	TORSION CABLE, CURB BROOM - 6X
4	711375	1	NUT-NYLOC 3/8-16 ZP
5	711523	3	WASHER-WAVE .37 X .68 X .08
6	712301	2	WASHER-FLAT 3/8 X .87 X .06 ZP
7	713044	1	SCR-HH 3/8-16 X 1.50 ZP GR 5
8	713625	1	PIN-CLEVIS 5/16 X 1.875 ZP
9	748503-1	1	ASSEMBLY, LINEAR ACTUATOR (SEE NOTES)
10	833833	1	PIN-CLEVIS 3/8 X 1.25
11	712301	1	WASHER-FLAT 3/8 ZP
12	3400118	1	PIN-CLEVIS 5/16 X .875 ZP
13	3400125	3	RING-RUE 3/8
14	3400336	1	WASHER-FLAT 3/8 X 1 X .105 SS
15	3400726	1	BLT-SHOULDER 3/8 X 1.25 LG X 5/16-18 BLK
16	REFEENCE	1	MAIN FRAME, 6X

OPT - DUST SUPPRESSION, SINGLE

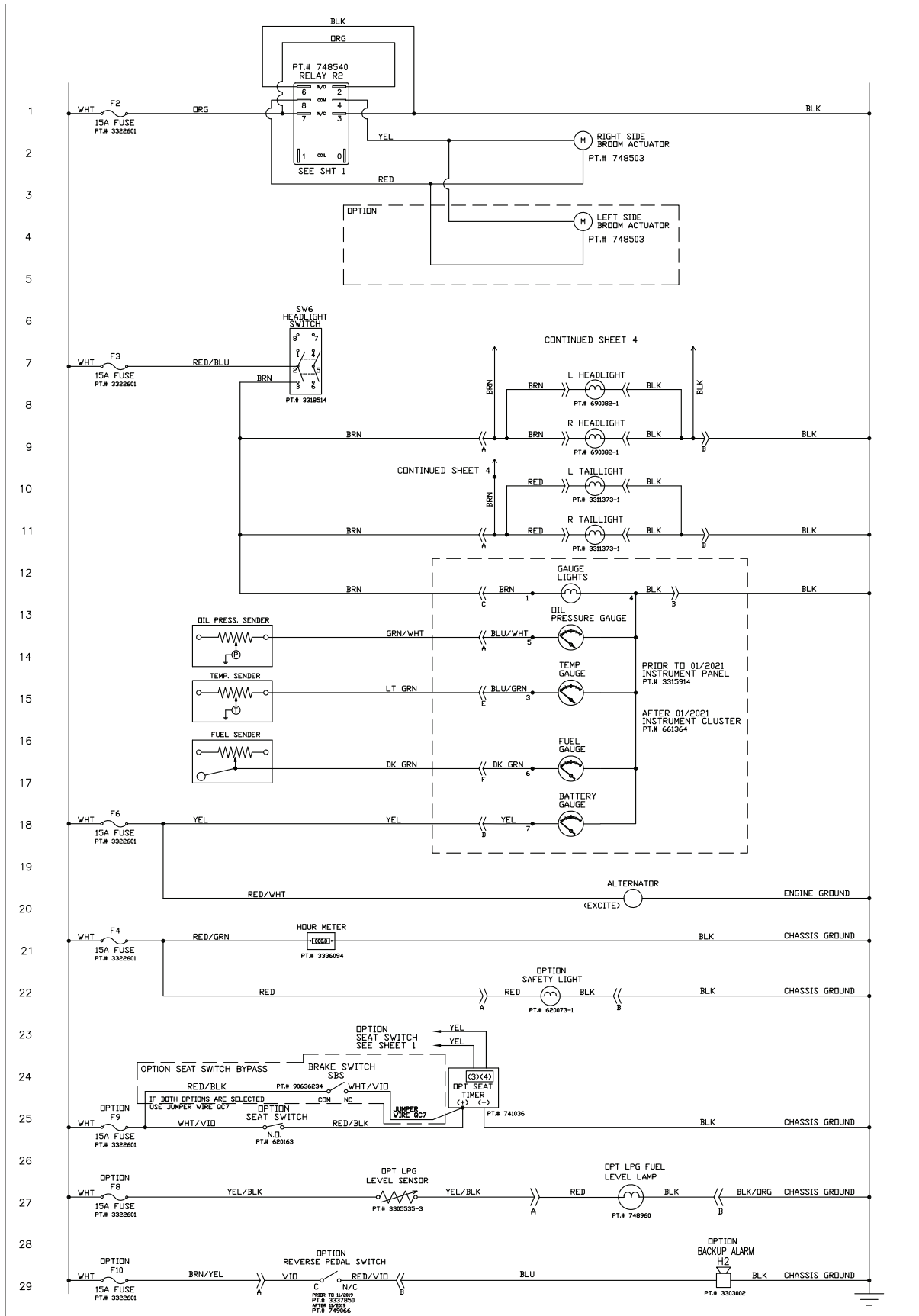


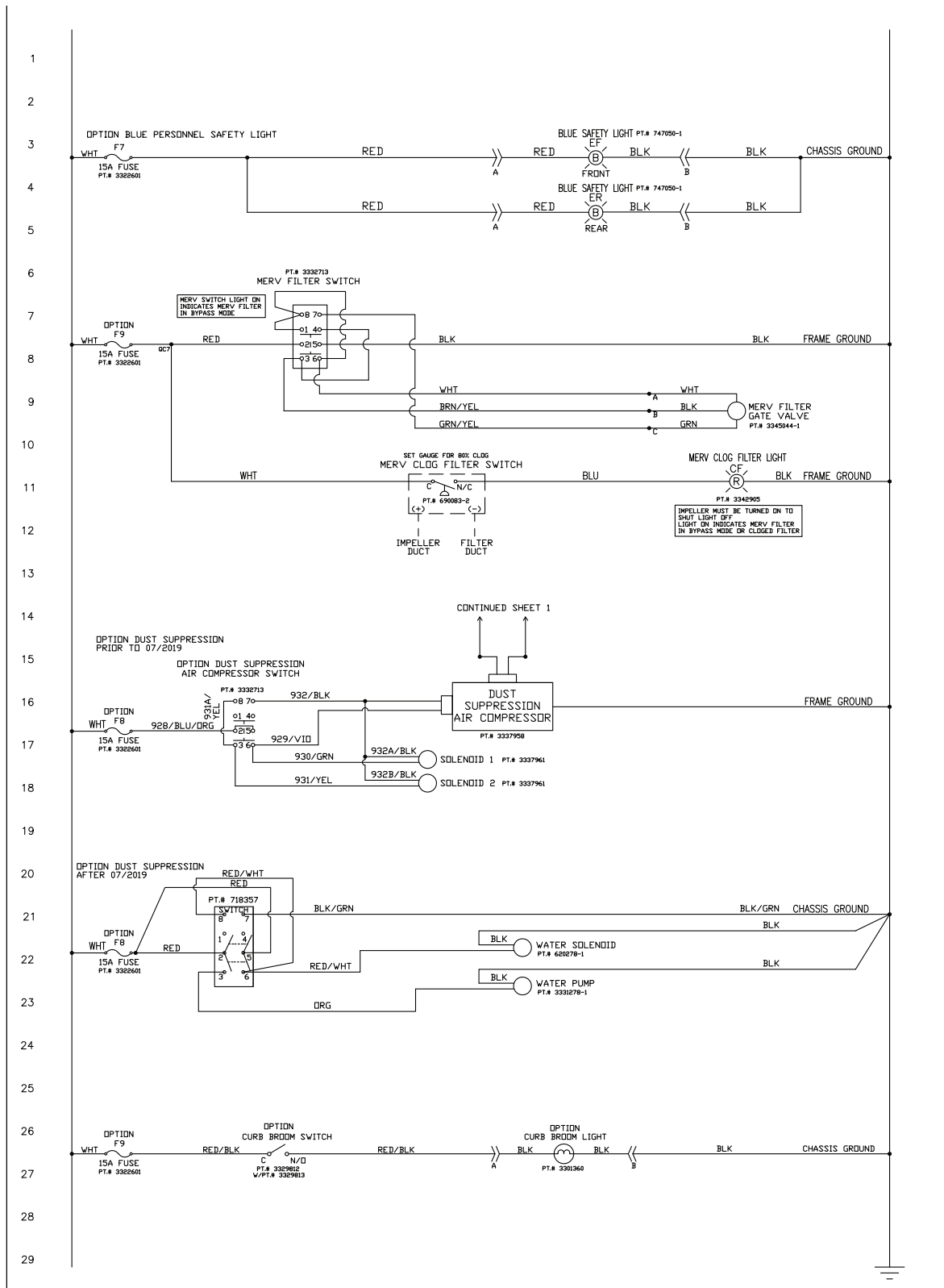
OPT - DUST SUPPRESSION, SINGLE (661336)			
ITEM	PART NO.	QTY	DESCRIPTION
1	173158	1	IN-LINE FILTER ASSEMBLY, 3/8 FNPT
2	661375	1	FTG-REDUCER 3/8 MPT X 1/4 MPT PP
3	245478	1	VALVE-BALL, 3/8 FPT, HIGH-FLOW, PVC
4	281041	2	VALVE-CHECK
5	450222	3	FTG-ELBOW 90 3/8 MPT X 1/4 HB NYLON
6	600183	1	GAUGE 0-60 PSI
7	600940	4	WASHER-FENDER M8 X 24 ZP
8	620268	1	FTG-ELBOW 90 3/4 MPT X 1/4 HB NYLON
9	620277	1	ACCUMULATOR
10	620278-1	1	SOLENOID ASSY, WATER, 1/4 FPT 12V 250PSI
11	620279	1	VALVE-PRES REGULATOR, 1/4 FPT 5-125PSI
12	620736	2	PLATE, MOUNT, NOZZLE, SHORT
13	620738	1	FTG-ADAPTER 1/2 MPT TO 1/4 MPT
14	661302	1	WELDMENT, BRACKET, WATER TANK, 6X
15	661355	1	PLATE, MOUNT PUMP & ACCUMULATOR
16	711228	4	SCR-HH 5/16-18 X .75 ZP GR 5
17	711229	4	SCR-HH 5/16-18 X .87 ZP GR 5
18	711374	4	NUT-NYLOC 5/16-18 ZP
19	711425	2	NUT-FLANGED WIZZ 1/4-20 ZP
20	711506	4	WASHER-FLAT 5/16 X .688 ZP
21	740099-B	5	CABLE TIE-SMALL (BLACK)
22	770137	2	MAGNET, 1.26" OD X .315 THK, 75LB
24	828488	24 FT	HOSE-1/4 NYLOBRAID
25	829106	2	FTG-ADAPTER 1/4 MPT X 1/4 HB BRASS
27	831306	2	FTG-ELBOW 90 ST 1/4 MPT X 1/4 FPT BRASS
28	831327	2	FTG-ADAPTER 1/4 FPT X 1/4 HB BRASS
29	833140	2	CONNECTOR-BODY INLET
30	833141	2	CAP
32	3302338	11	CLAMP - SCREW .25" TO .625" DIA 301SS
33	3303304	1	FTG-NIPPLE 3/8 BRASS
34	3331278-1	1	PUMP ASSY-SOLUTION 1.6GPM 60 PSI 12V
35	3337964	1	WATER TANK - 7 GAL W/3/4" FTG
36	3339519	2	NOZZLE, SPRAY TIP 1100050
37	712301	4	WASHER-FLAT 3/8 ZP
38	3401683	1	FTG-TEE 1/4 HB X 1/4 HB X 1/4 HB PP

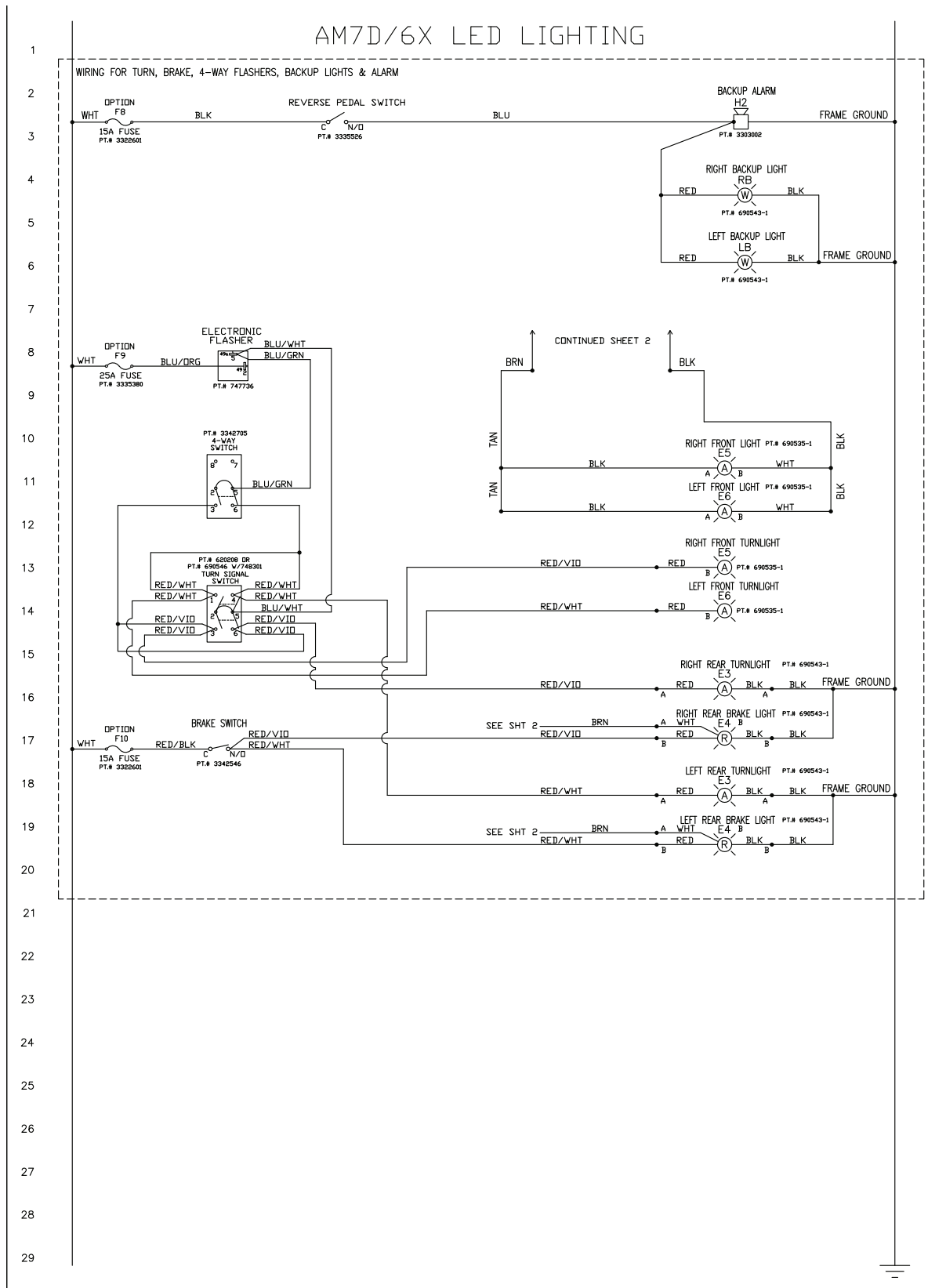


ELECTRONIC SCHEMATIC 3338222 (REV. F)

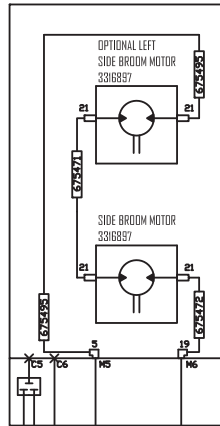
(PAGE 2 OF 4)



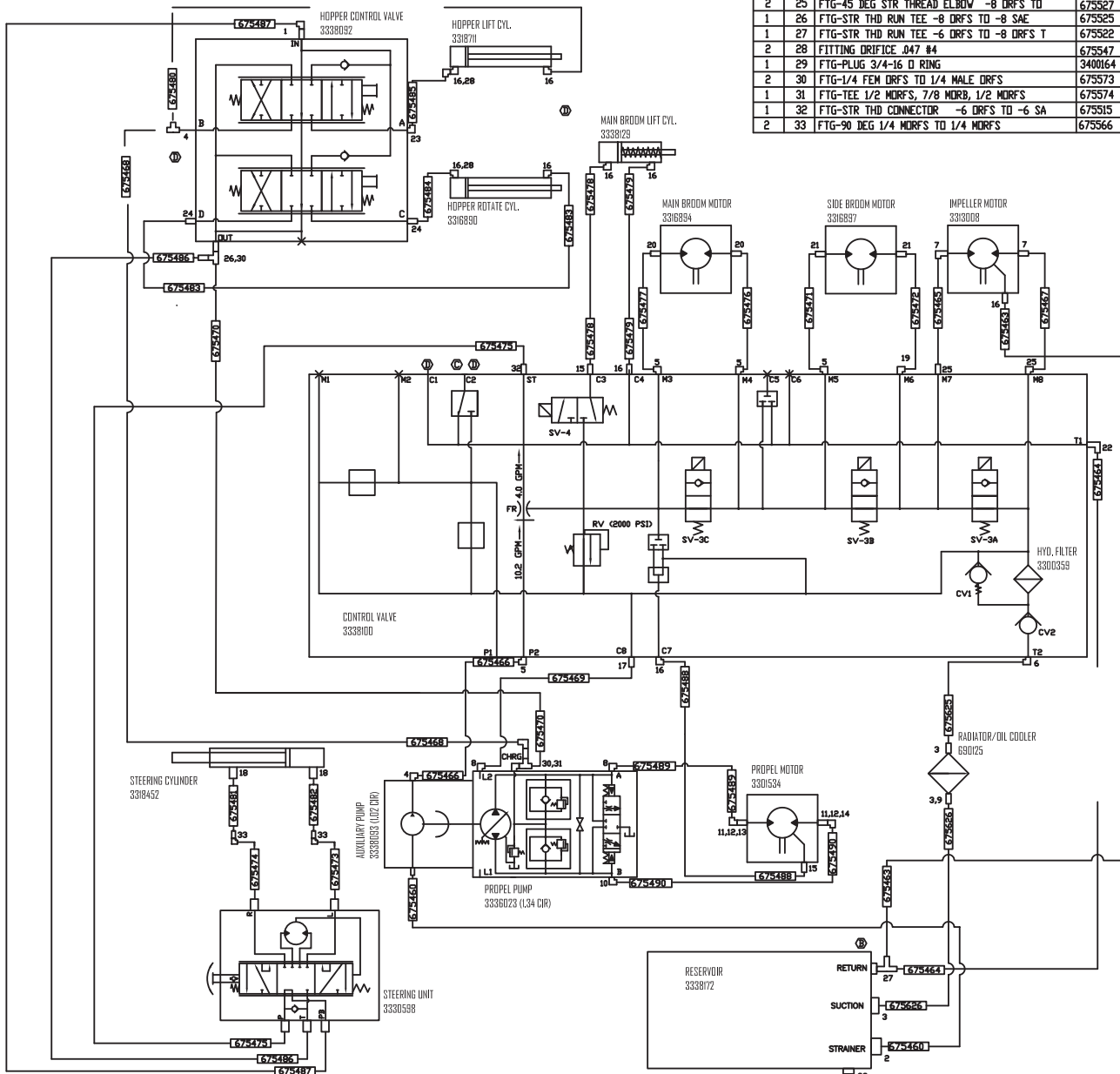




HYDRAULIC SCHEMATIC 3338146 (REV. F)



QTY.	ITEM	FITTING DESCRIPTION	P/N
1	1	FTG-ADPTR 3/8 MALE DRFS TO 3/4 MALE DRB	675562
1	2	FTG-ADPTR 1.00 MALE DRFS TO MALE 1 1/16 NPTF	675560
3	3	FTG-STR THD ELBOW -12 DRFS TO -16 SAE	675535
1	4	FTG-STR THD RUN TEE -6 DRFS TO -6 SAE	675516
4	5	FTG-STR THD ELBOW -8 DRFS TO -8 SAE	675523
1	6	FTG-STR THD ELBOW	675571
2	7	FTG-STR THD CONNECTOR -8 DRFS TO -8 SA	675524
2	8	FTG-STR ELBOW -10 DRFS TO -12 SAE	675500
1	9	REDUCER, 3/4 MNPT TO 1/4 FNPT	675627
1	10	FTG-STR THD ELBOW -8 DRFS TO -12 SAE	675537
2	11	FTG-SVVL 90 DEG 3/4 MORB TO 3/4 FEM STR THD	675563
2	12	FTG-STR THD CONNECTOR	675564
1	13	FTG-ADPTR 7/8-14 EXT TO 3/4 DRFS	3400166
1	14	FTG-ADPTR 7/8 MALE DRB TO 3/4 FEM STR THD	675569
8	15	FTG-STR THD ELBOW -4 DRFS TO -4 SAE	675507
3	16	FTG-STR THD CONNECTOR -4 DRFS TO -4 SA	675508
1	17	FTG-STR THD CONNECTOR -6 DRFS TO -4 SA	675517
2	18	FTG-STR THD ELBOW	675568
1	19	CHECK VALVE ASSY FITTING 500"	675575
2	20	FTG-8-10VSOLD-S 4SSST THD ELL SL	3400690
2	21	FTG-ST THD CON S-L DRFS	3400689
1	22	FTG-STR THD ELBOW	675572
1	23	FTG-STR THD ELBOW -4 DRFS TO -6 SAE	675546
2	24	FTG-STR THD CONNECTOR -4 DRFS TO -6 SA	675511
2	25	FTG-45 DEG STR THREAD ELBOW -8 DRFS TO	675527
1	26	FTG-STR THD RUN TEE -8 DRFS TO -8 SAE	675525
1	27	FTG-STR THD RUN TEE -6 DRFS TO -8 DRFS T	675522
2	28	FITTING DRIFICE .047 #4	675547
1	29	FTG-PLUG 3/4-16 O RING	3400164
2	30	FTG-1/4 FEM DRFS TO 1/4 MALE DRFS	675573
1	31	FTG-TEE 1/2 MORFS, 7/8 MORB, 1/2 MORFS	675574
1	32	FTG-STR THD CONNECTOR -6 DRFS TO -6 SA	675515
2	33	FTG-90 DEG 1/4 MORFS TO 1/4 MORFS	675566



PowerBoss[®]
The Power of Clean

“The Power of Clean”

**PowerBoss[®] Is a Full Line Manufacturer of Sweepers and Scrubbers,
for Industrial Facilities.**

PowerBoss[®], Minuteman International, Inc. 14N845 U.S. Route 20 Pingree Grove Illinois 60140
Phone: 800-323-9420 www.PowerBoss.com email: tech@powerboss.com

A Member of the Hako Group

Armadillo 6X and AM7D-III #4100043 Rev. V 11/23

PowerBoss[®], Copyright 2014